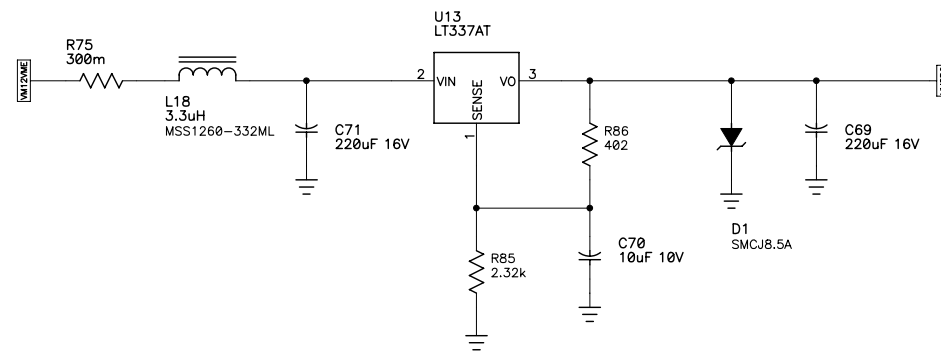
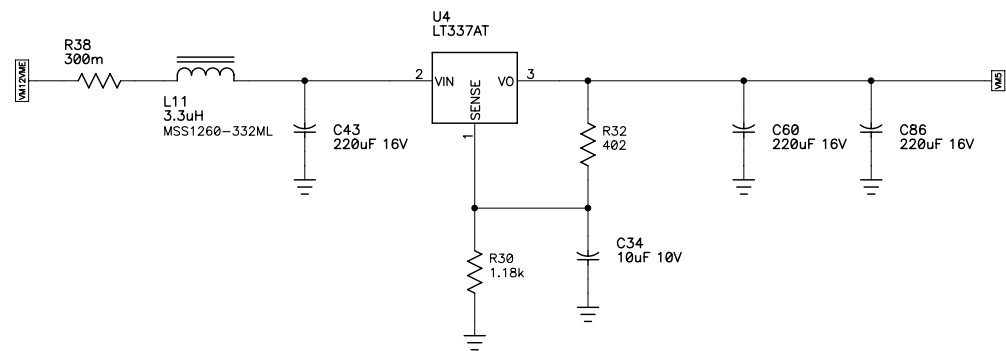
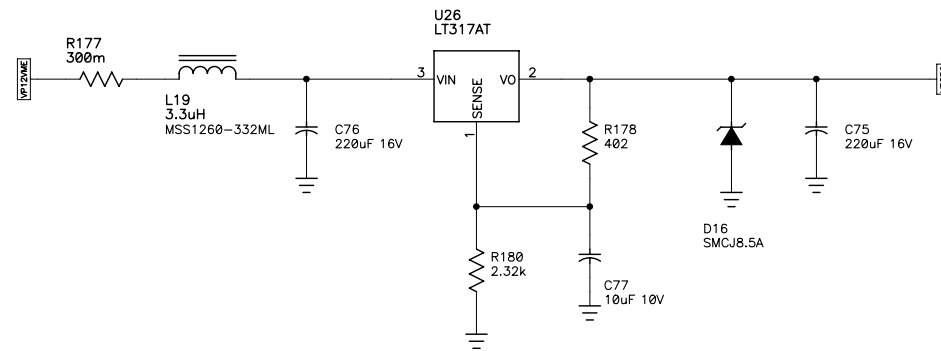
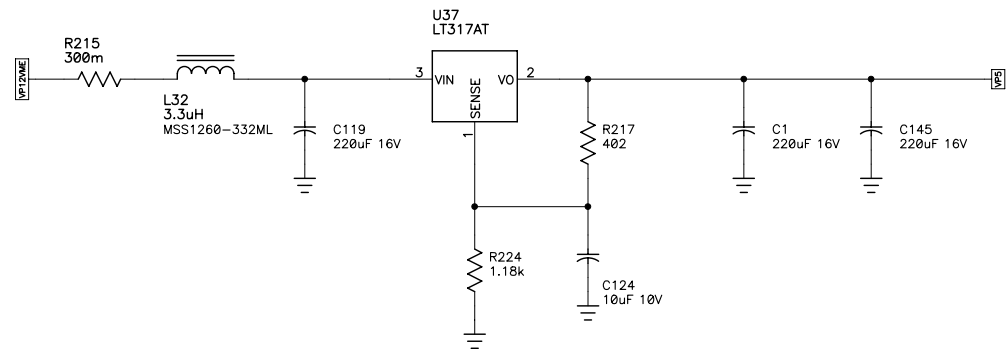
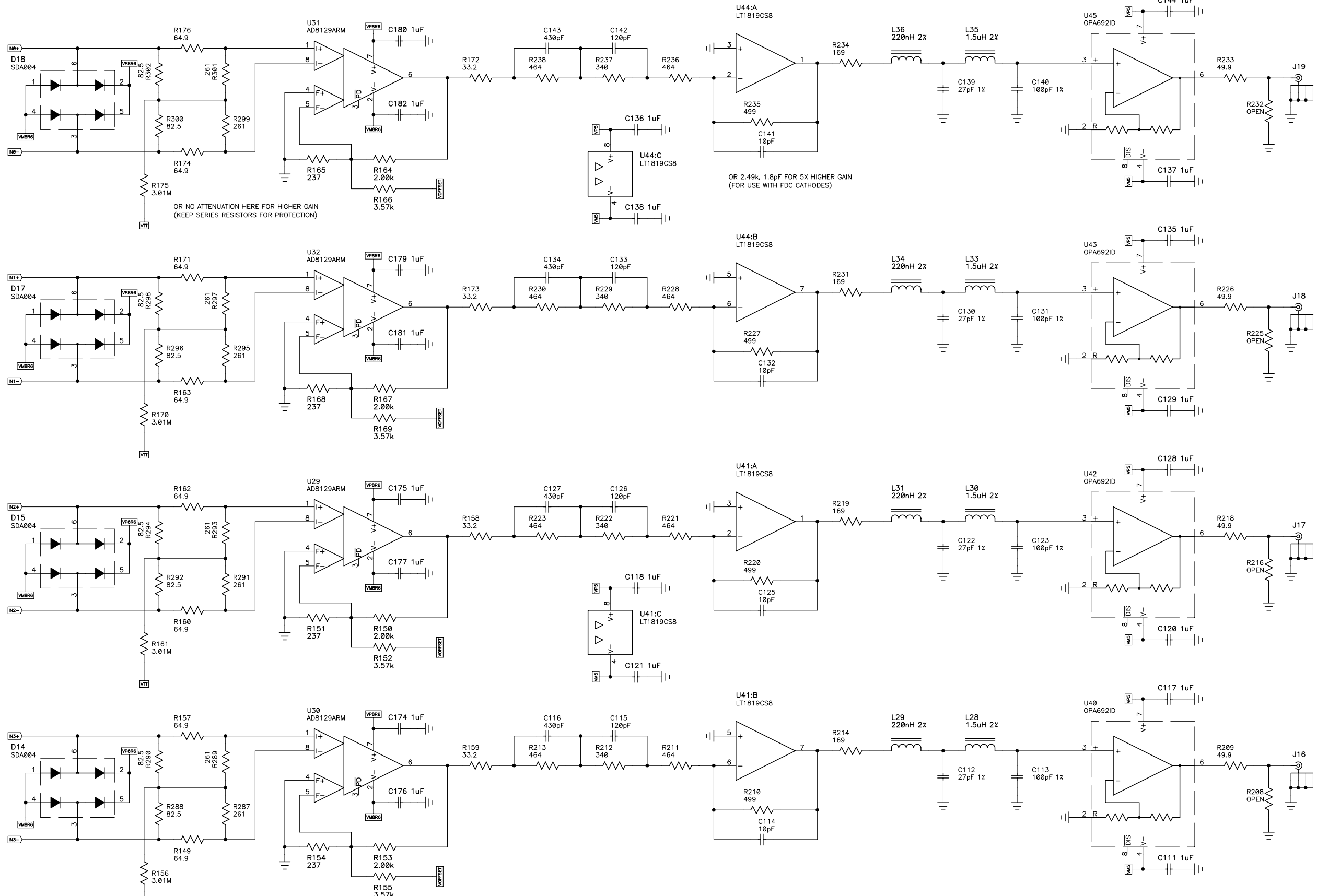


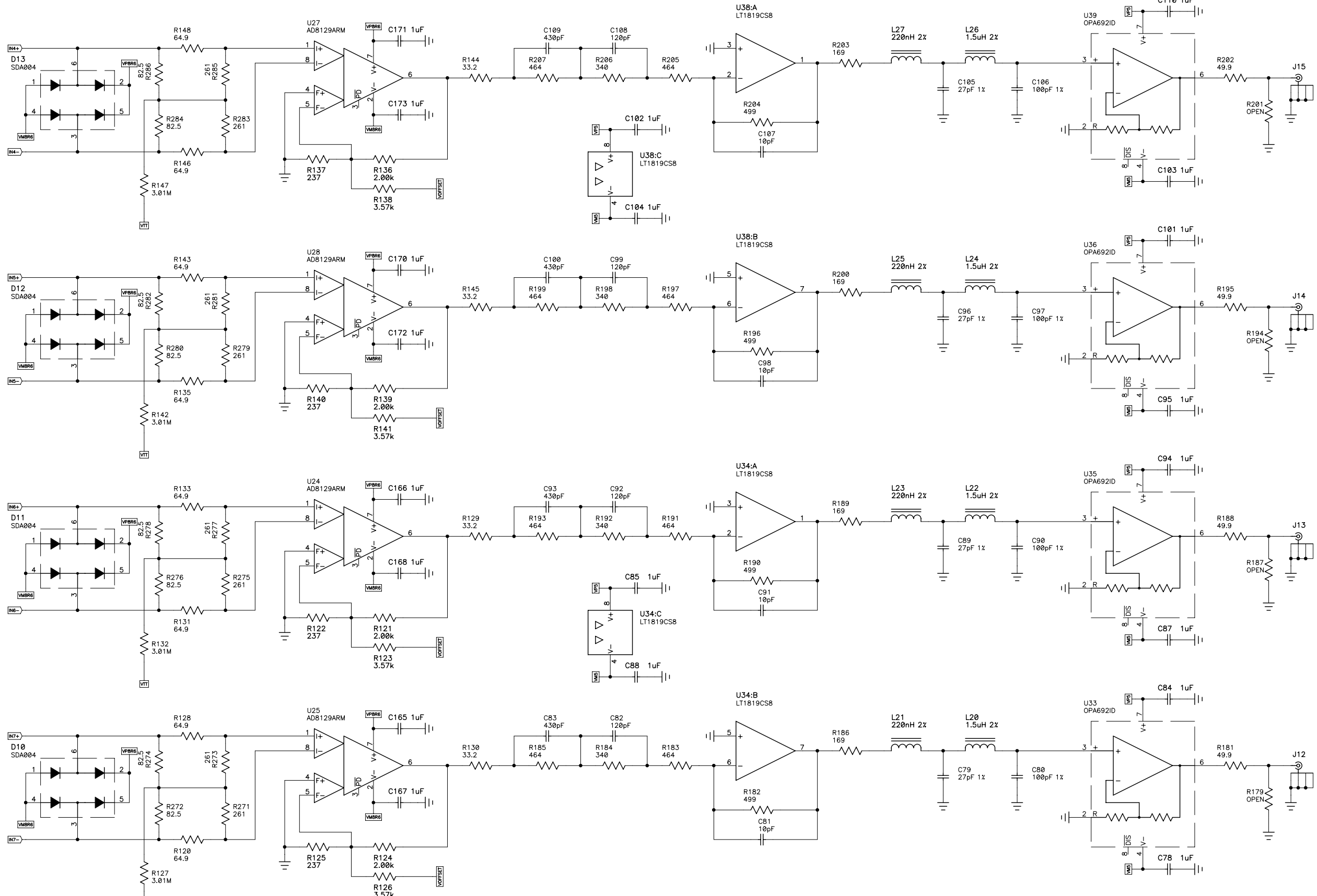
IF COMMON-MODE TERMINATION TO OTHER VOLTAGE IS REQUIRED, INSTALL 1uF CAPS HERE INSTEAD, AND PATCH IN A VOLTAGE SOURCE.



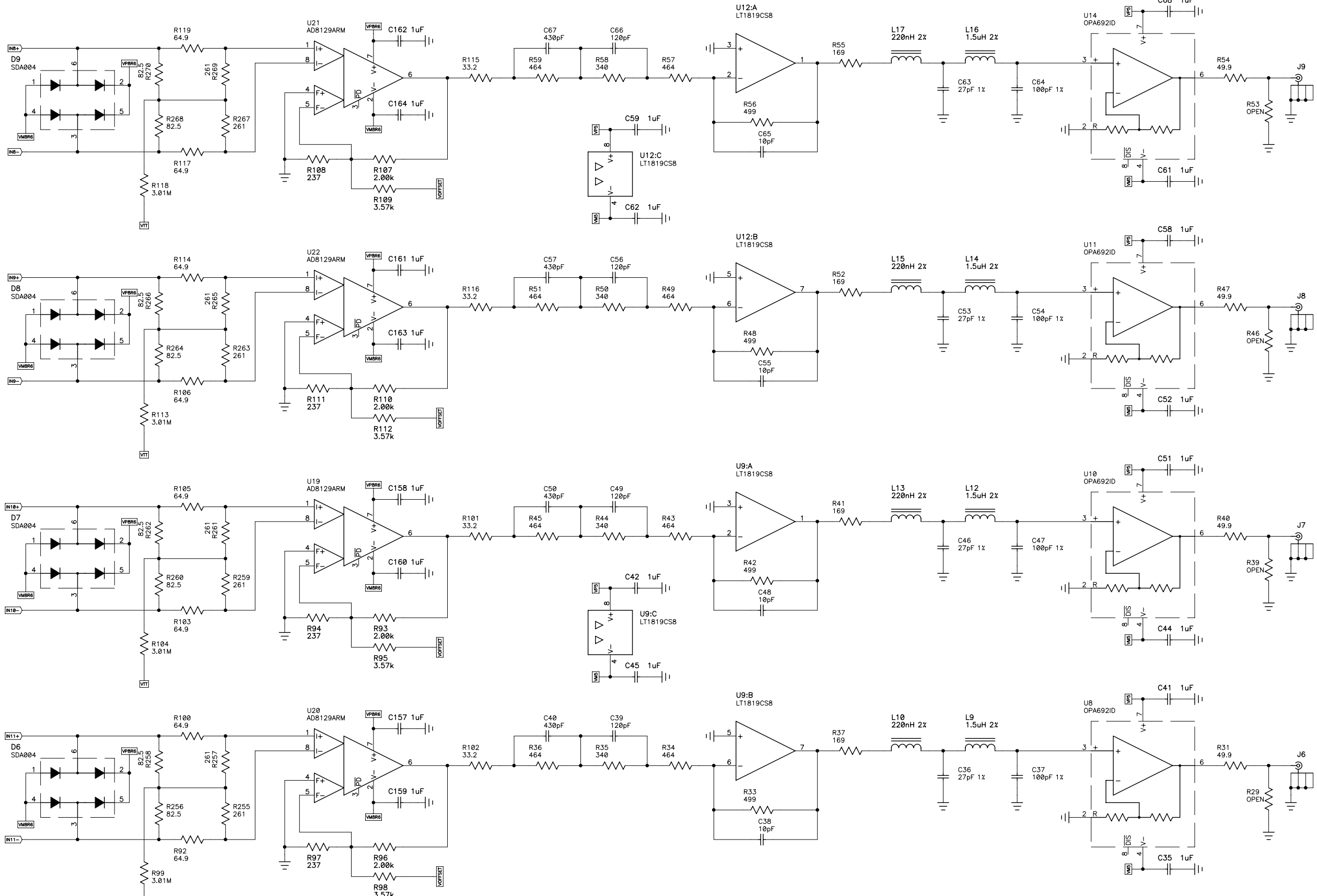
<b>Indiana University Cyclotron Facility</b>		
Title GlueX Drift Chamber - Receiver/Shaper Prototype		
Size C	Number 308194-000	Rev -
Date 11/20/2006	Drawn by G. VISSER	Eng. G. VISSER
Filename 308194-000_PCAD_ASCII.sch		Sheet 1 of 5



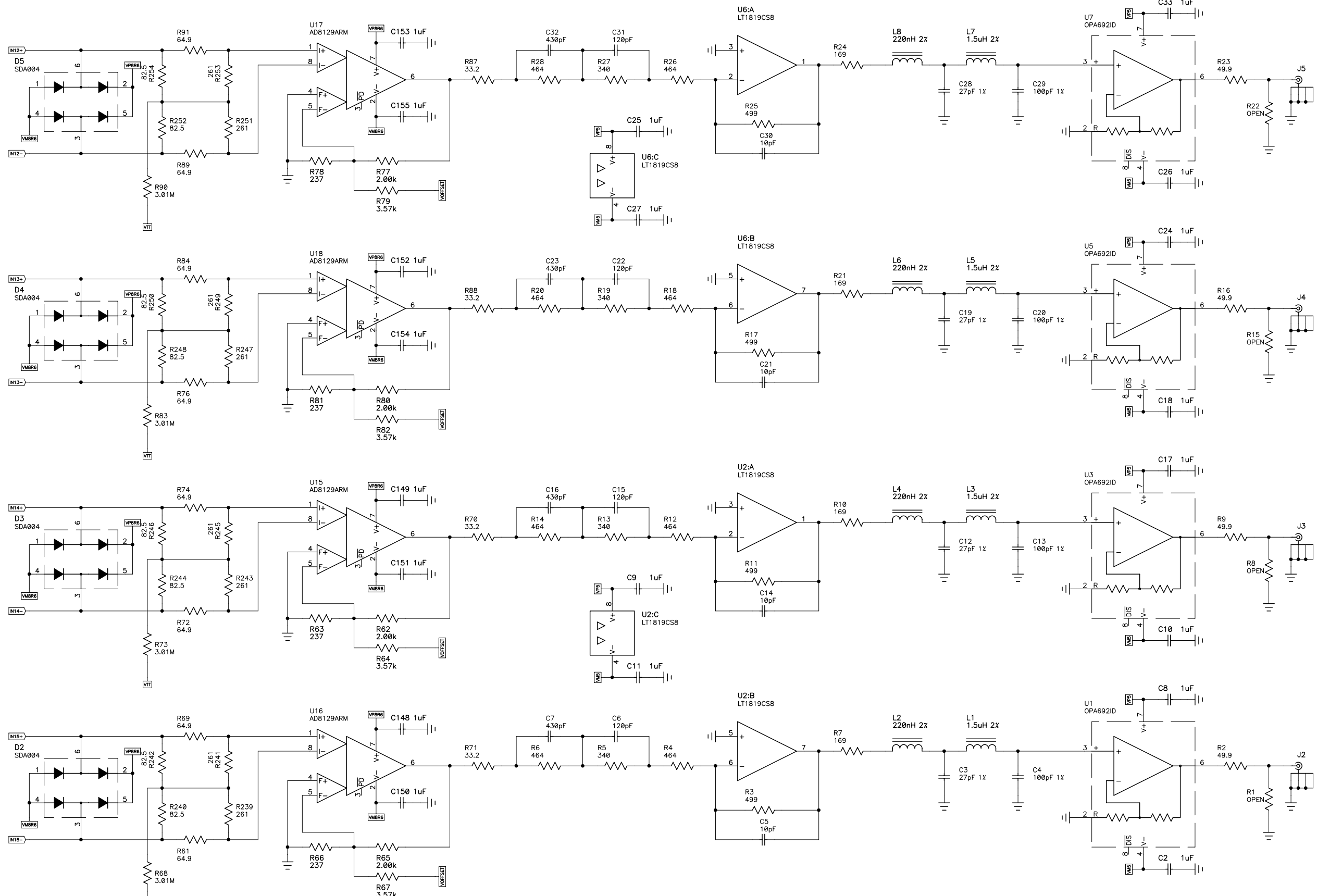
<b>Indiana University Cyclotron Facility</b>		
Title GlueX Drift Chamber - Receiver/Shaper Prototype		
Size C	Number 308194-000	Rev -
Date 11/20/2006	Drawn by G. VISSER	Eng. G. VISSER
Filename 308194-000_PCAD_ASCII.sch		Sheet 2 of 5



<b>Indiana University Cyclotron Facility</b>		
Title GlueX Drift Chamber - Receiver/Shaper Prototype		
Size C	Number 308194-000	Rev -
Date 11/20/2006	Drawn by G. VISSER	Eng. G. VISSER
Filename 308194-000_PCAD_ASCII.sch		Sheet 3 of 5



<b>Indiana University Cyclotron Facility</b>		
Title GlueX Drift Chamber - Receiver/Shaper Prototype		
Size C	Number 308194-000	Rev -
Date 11/20/2006	Drawn by G. VISSER	Eng. G. VISSER
Filename 308194-000_PCAD_ASCII.sch		Sheet 4 of 5



<b>Indiana University Cyclotron Facility</b>		
Title GlueX Drift Chamber - Receiver/Shaper Prototype		
Size C	Number 308194-000	Rev -
Date 11/20/2006	Drawn by G. VISSER	Eng. G. VISSER
Filename 308194-000_PCAD_ASCII.sch		Sheet 5 of 5