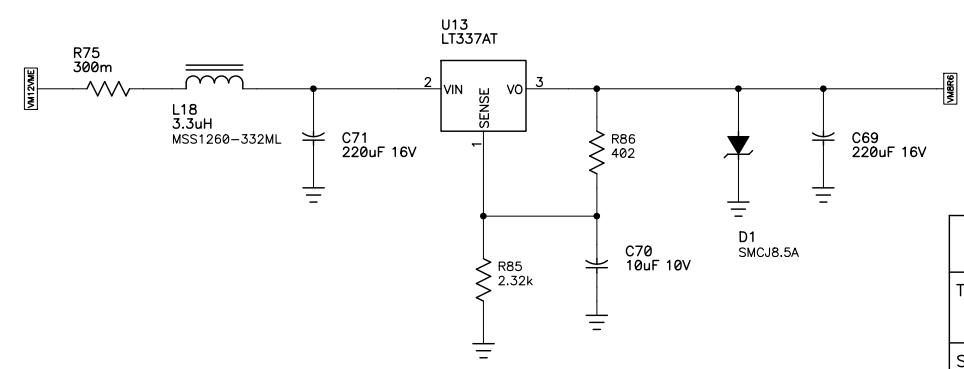
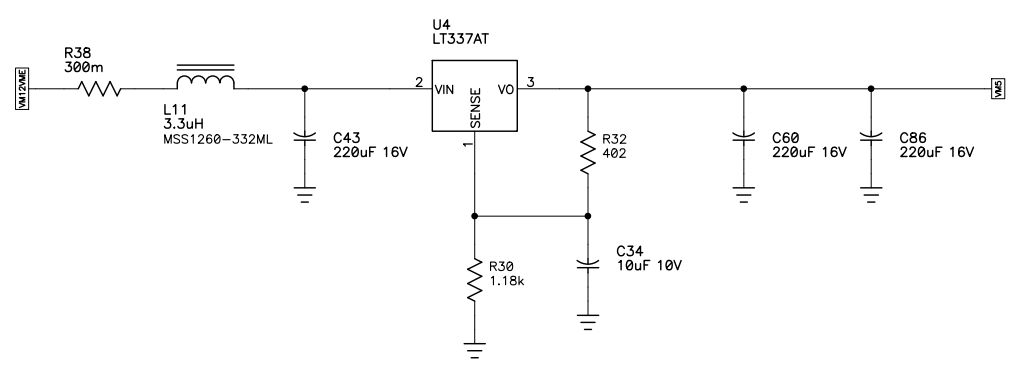
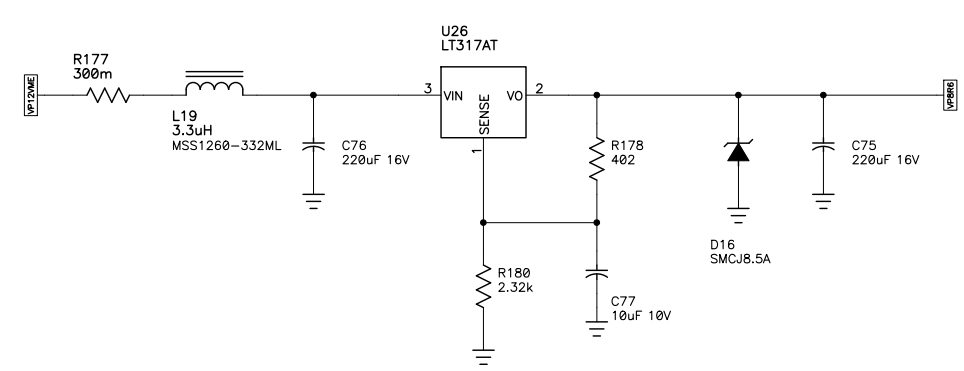
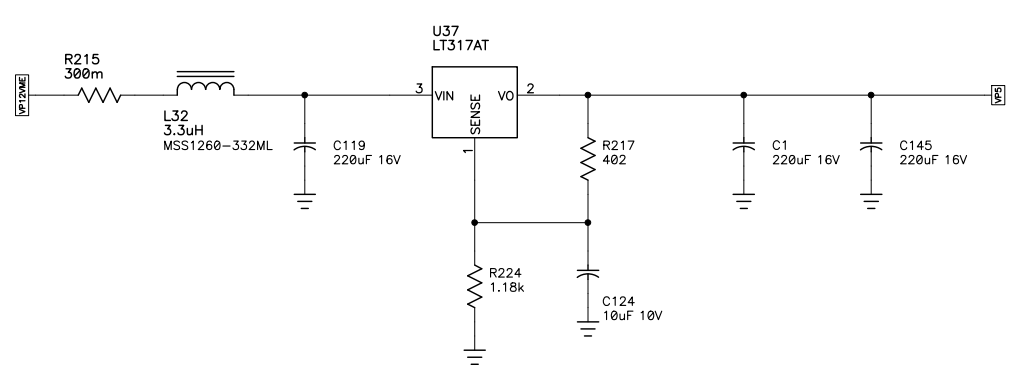
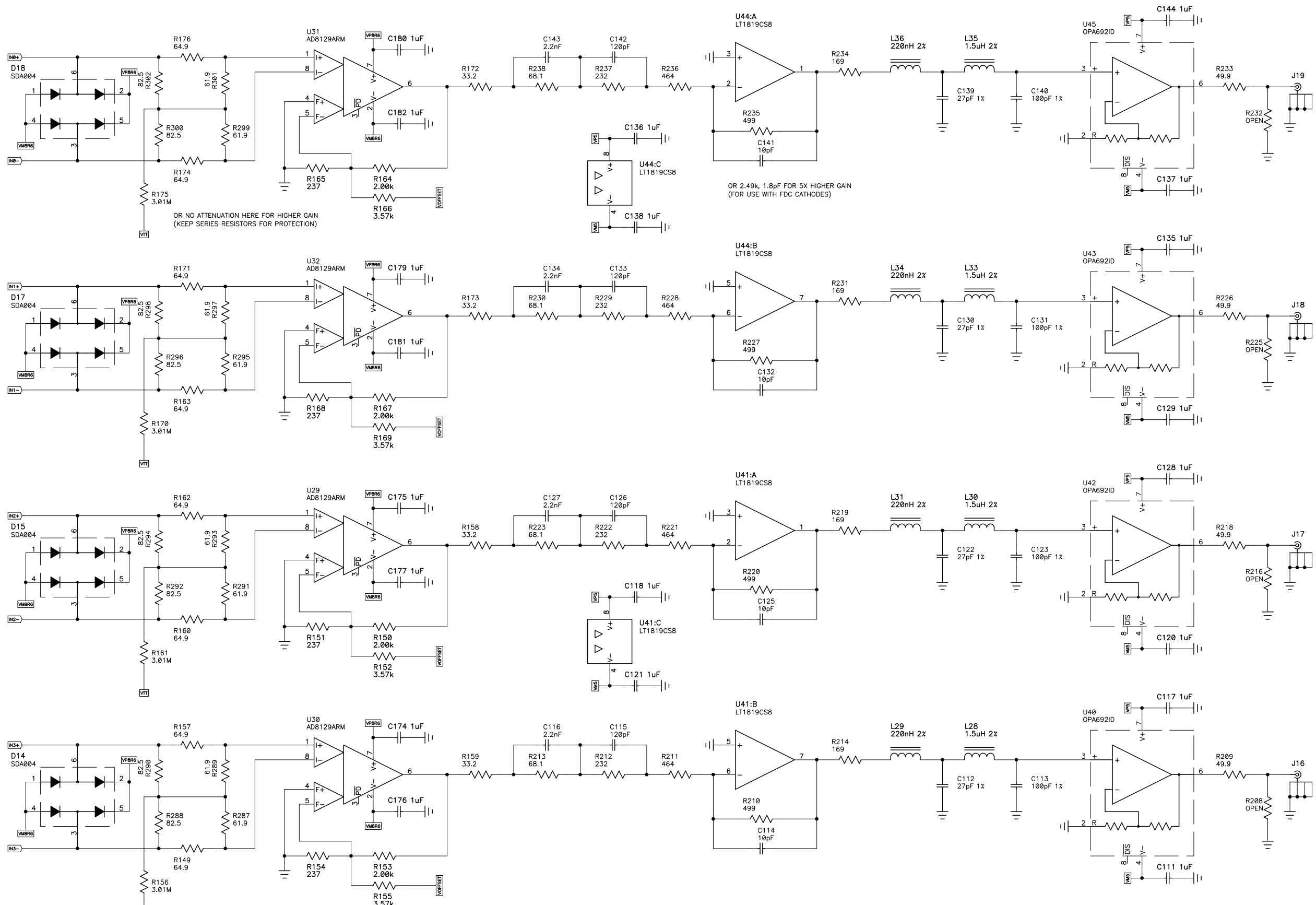


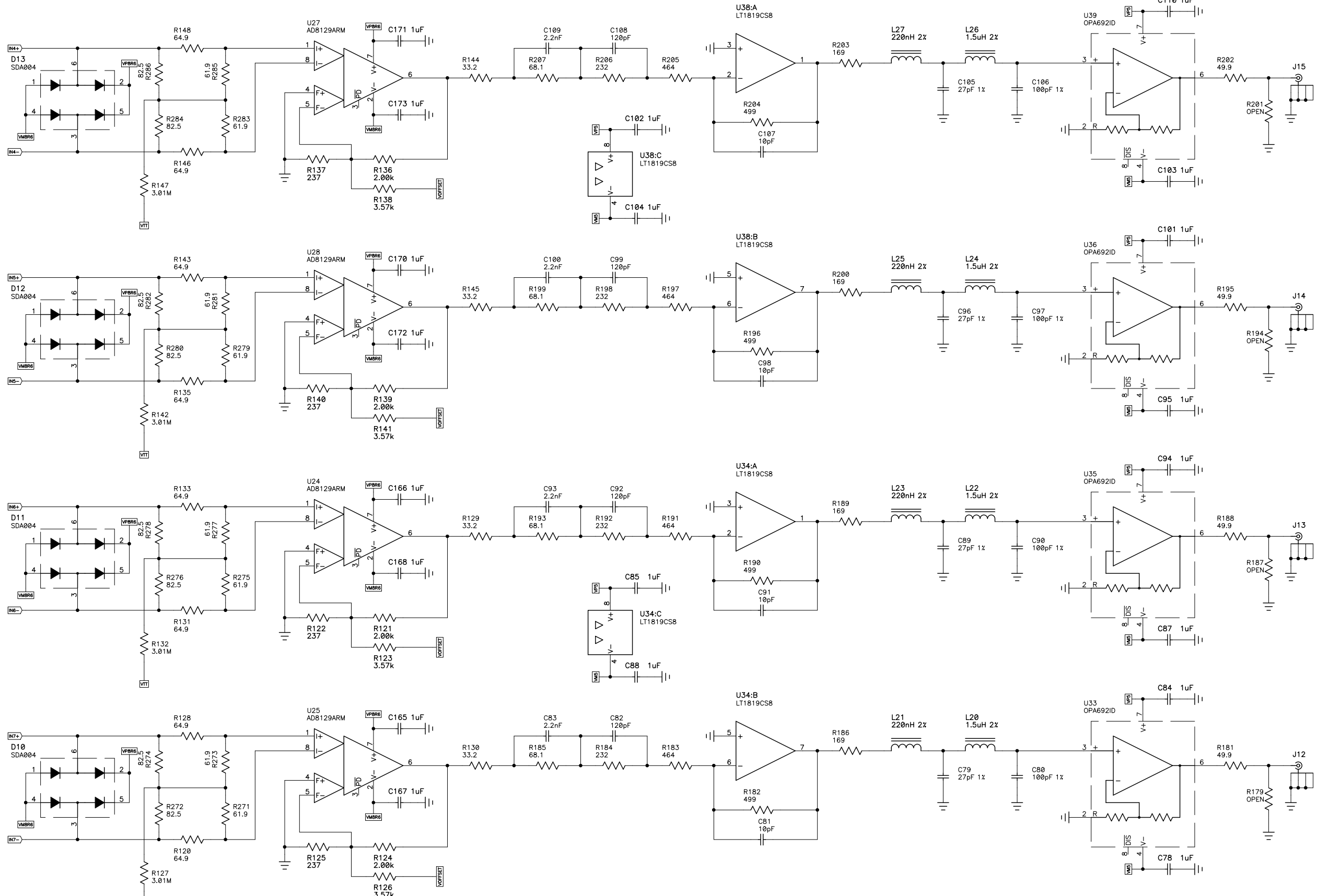
IF COMMON-MODE TERMINATION TO OTHER VOLTAGE IS REQUIRED, INSTALL 1uF CAPS HERE INSTEAD, AND PATCH IN A VOLTAGE SOURCE.



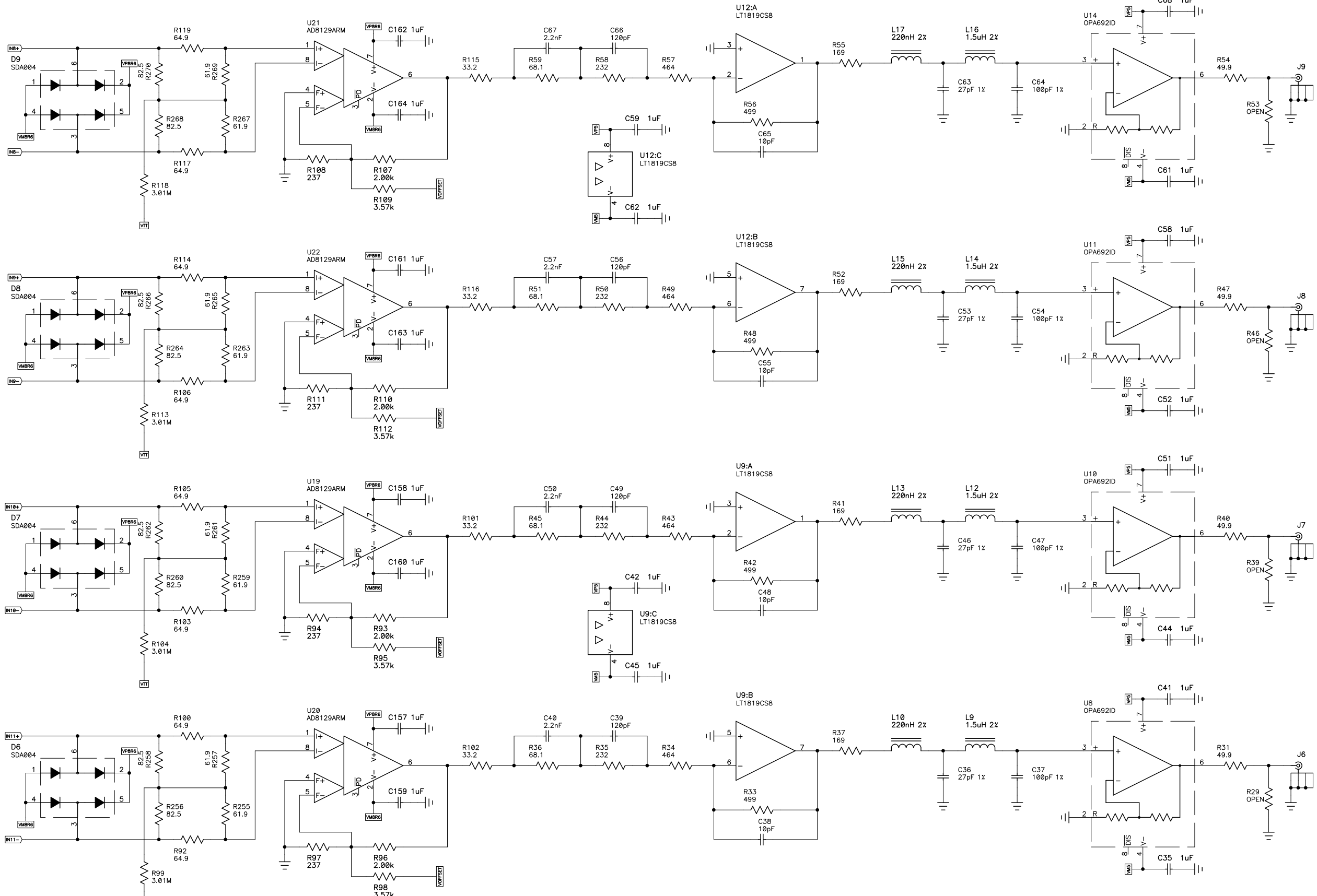
Indiana University Cyclotron Facility		
Title GlueX Drift Chamber - Receiver/Shaper Prototype		
Size C	Number 308194-000	Rev -
Date 11/20/2006	Drawn by G. VISSER	Eng. G. VISSER
Filename 308194-000_PCAD.sch		Sheet 1 of 5



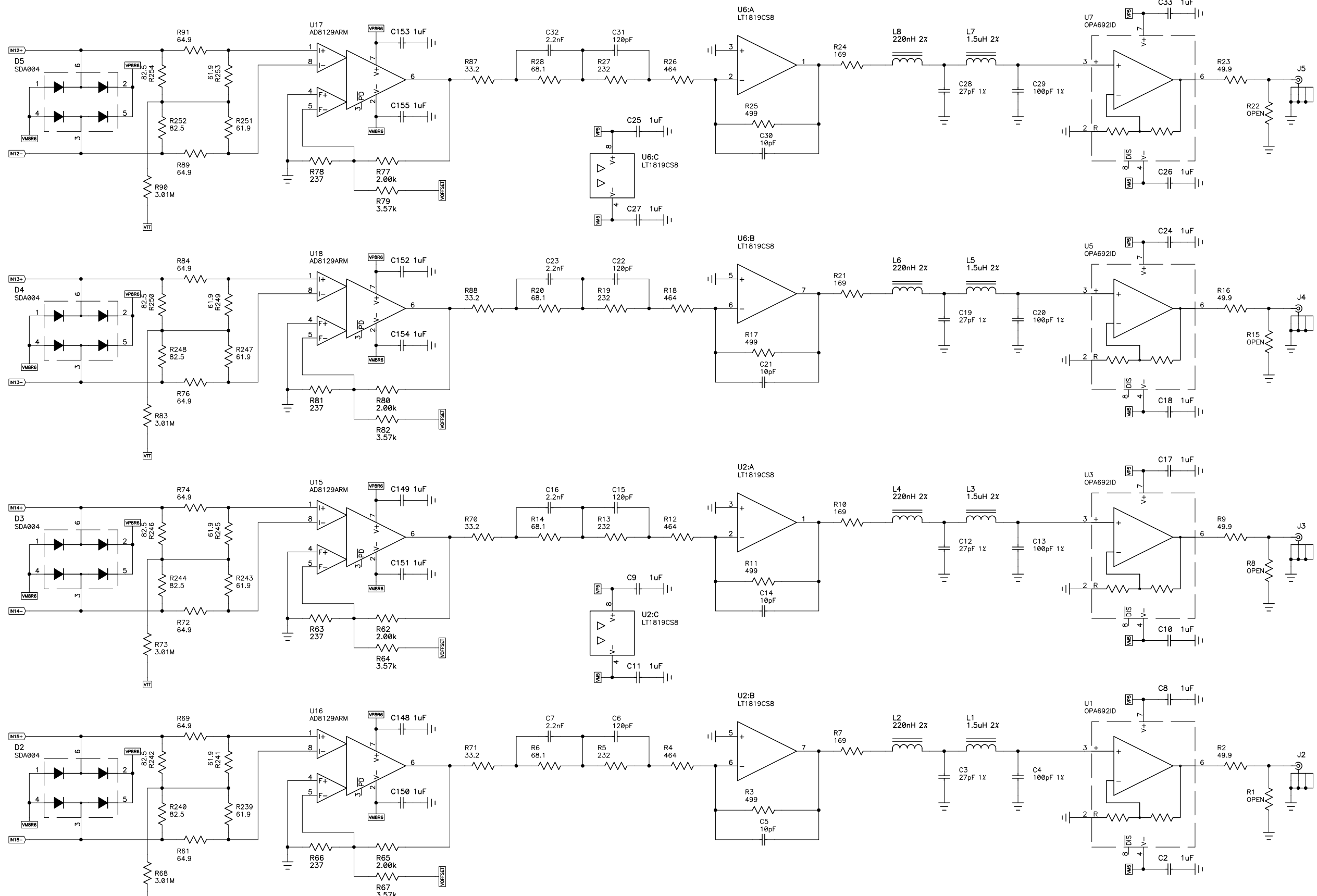
Indiana University Cyclotron Facility		
Title GlueX Drift Chamber - Receiver/Shaper Prototype		
Size C	Number 308194-000	Rev -
Date 11/20/2006	Drawn by G. VISSER	Eng. G. VISSER
Filename 308194-000_PCAD.sch	Sheet 2 of 5	



Indiana University Cyclotron Facility		
Title GlueX Drift Chamber - Receiver/Shaper Prototype		
Size C	Number 308194-000	Rev -
Date 11/20/2006	Drawn by G. VISSER	Eng. G. VISSER
Filename 308194-000_PCAD.sch		Sheet 3 of 5



Indiana University Cyclotron Facility		
Title GlueX Drift Chamber - Receiver/Shaper Prototype		
Size C	Number 308194-000	Rev -
Date 11/20/2006	Drawn by G. VISSER	Eng. G. VISSER
Filename 308194-000_PCAD.sch		Sheet 4 of 5



Indiana University Cyclotron Facility		
Title GlueX Drift Chamber - Receiver/Shaper Prototype		
Size C	Number 308194-000	Rev -
Date 11/20/2006	Drawn by G. VISSER	Eng. G. VISSER
Filename 308194-000_PCAD.sch		Sheet 5 of 5