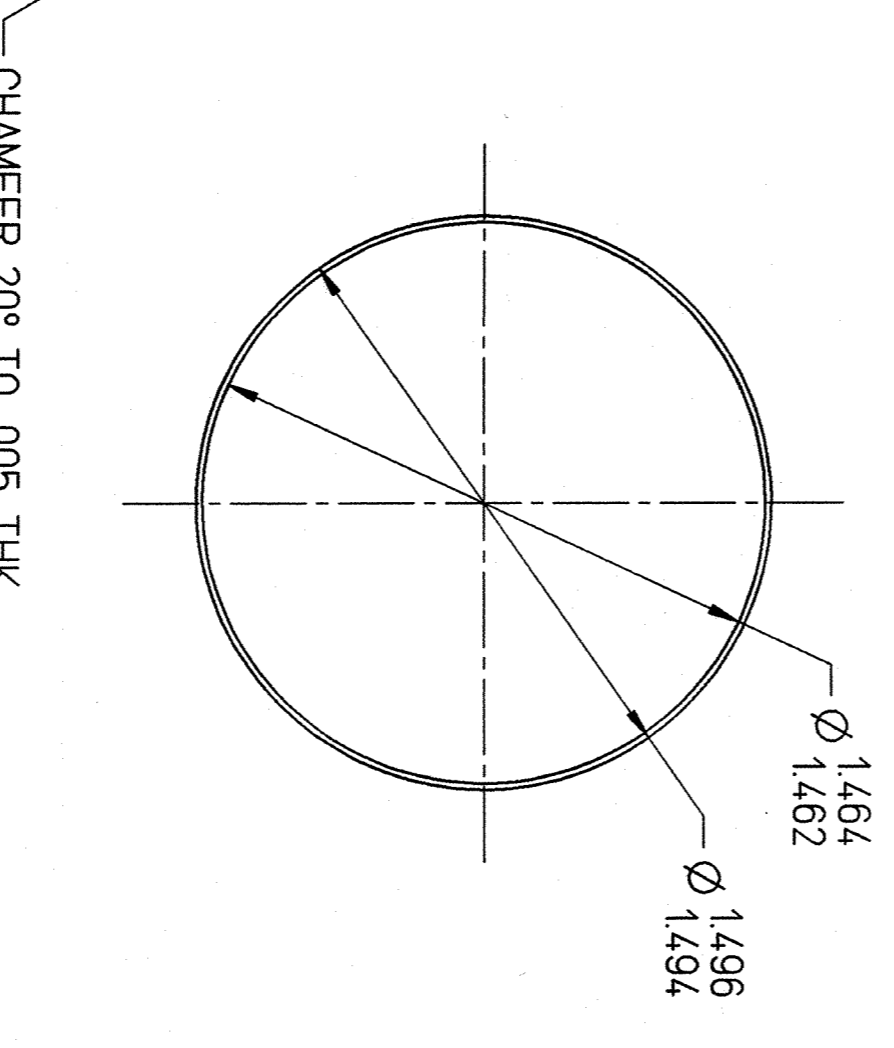
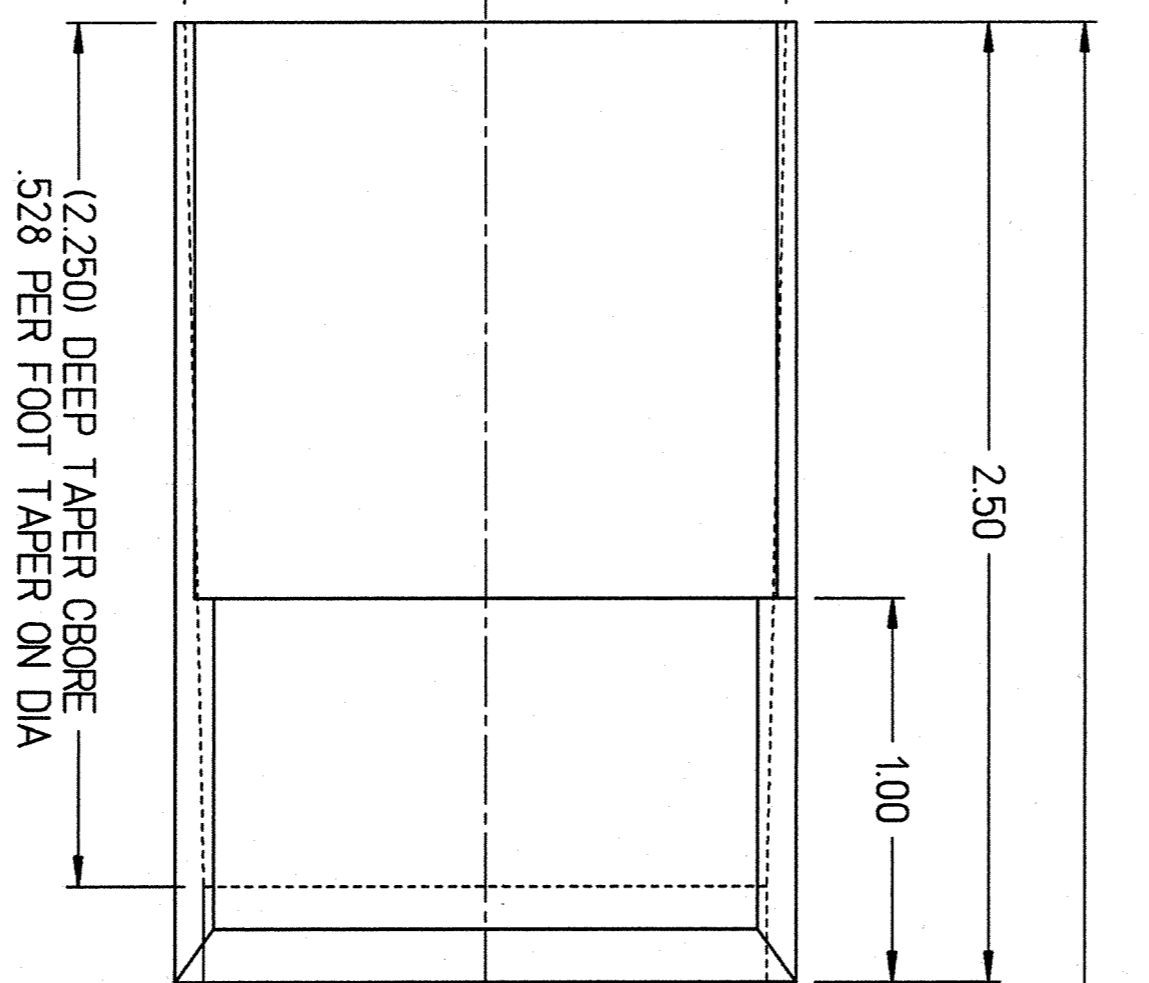
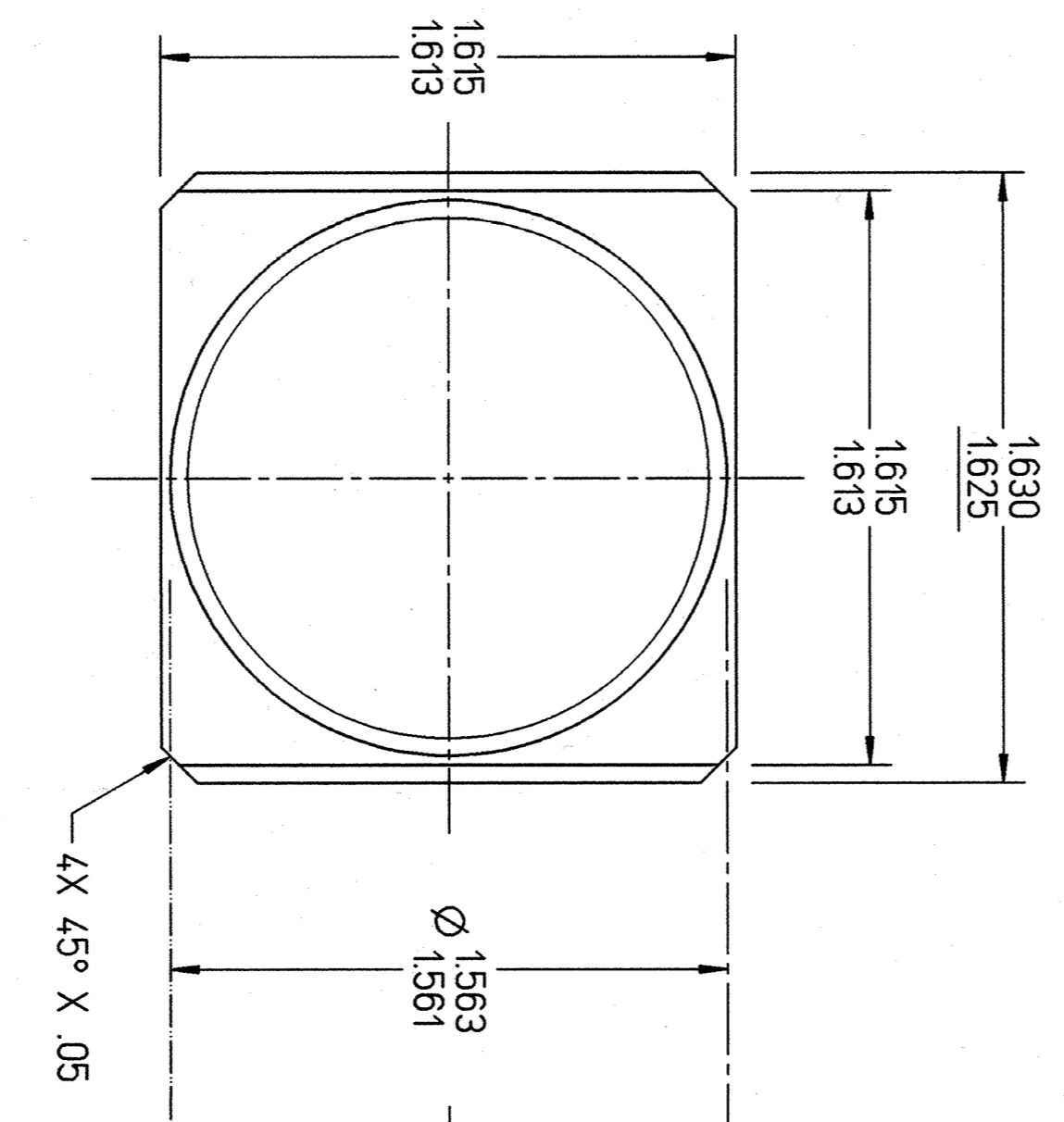
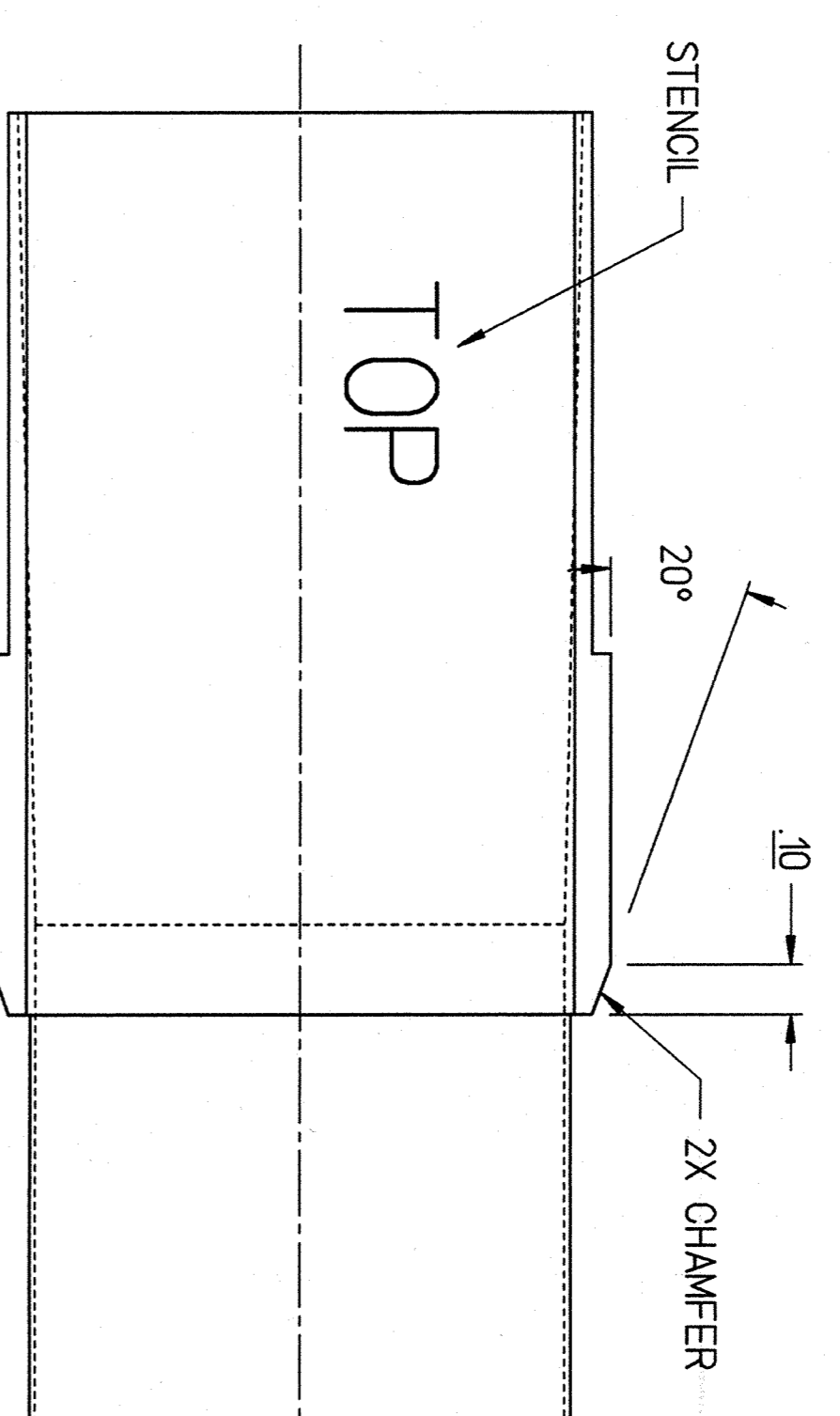


REVISION HISTORY		ZONE	REV	DESCRIPTION	DATE	APPROVED



<b>DOCUMENT CONTROL STAMP</b> 		<b>DIM &amp; TOL PER ASME Y14.5</b> DIMENSIONS SPECIFIED UNLESS OTHERWISE NOTED DIMENSIONS ARE IN INCHES FRACTIONS DECIMAL ANGLES * NA * NA * NA * NA XXX * .005	
<b>MATERIAL</b> ALUMINUM ALLOY 6061-T6		<b>FINISH</b> MACHINED SURFACES 12g UNLESS OTHERWISE NOTED DEBURR & BREAK ALL SHARP EDGES	
<b>THIRD ANGLE PROJECTION</b> 		<b>TRACKING NO.</b> MDS/07/number/66000 14100/6681300/131	
<b>DRAWN</b> P R HEMLER		<b>DATE</b> 6-25-04	
<b>CHECKED</b> 		<b>APPROVED</b> 	
<b>APPROVED</b> 		<b>DATE</b> 7/16/04	
<b>SCALE</b> 2:1		<b>SIZE</b> D	
Thomas Jefferson National Accelerator Facility UNITED STATES DEPARTMENT OF ENERGY PRIMEX HYCAL COUNTER BOX COLLIMATOR SUPPORT 66813-D-04131			
SHEET 1 OF 1		REV: -	

0 7 0 5 4 3 2 1

A B C D

1630  
1625  
1615  
1613

1615  
1613

Ø 1.563

4X 45° X .05

2.50

1.00

9.00

20°

.10

2X CHAMFER

TOP

STENCIL

(2.250) DEEP TAPER BORE  
528 PER FOOT TAPER ON DIA

CHAMFER 20° TO .005 THK

Ø 1.464  
Ø 1.462  
Ø 1.496  
Ø 1.494

DO NOT SCALE DRAWING