

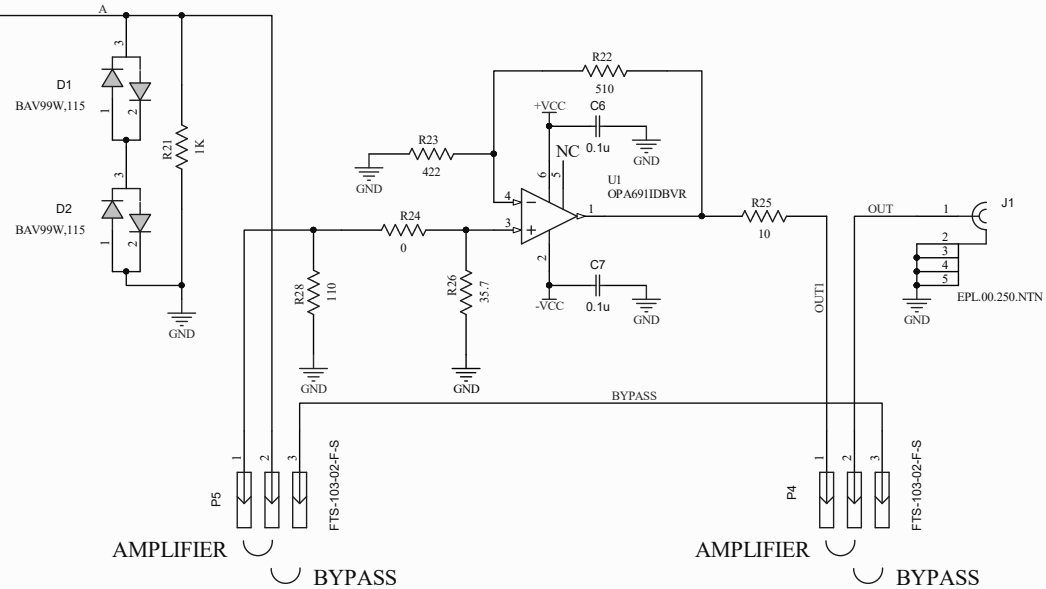
**HV Cable Assembly:**

Housing: IPD1-03-S-K

Crimp Terminal (x2): CC79L-2630-01-L

Wire : General Wire Products 030-21803 [x2 Tefzel 26 AWG]

Color: White = HV, Black = GND



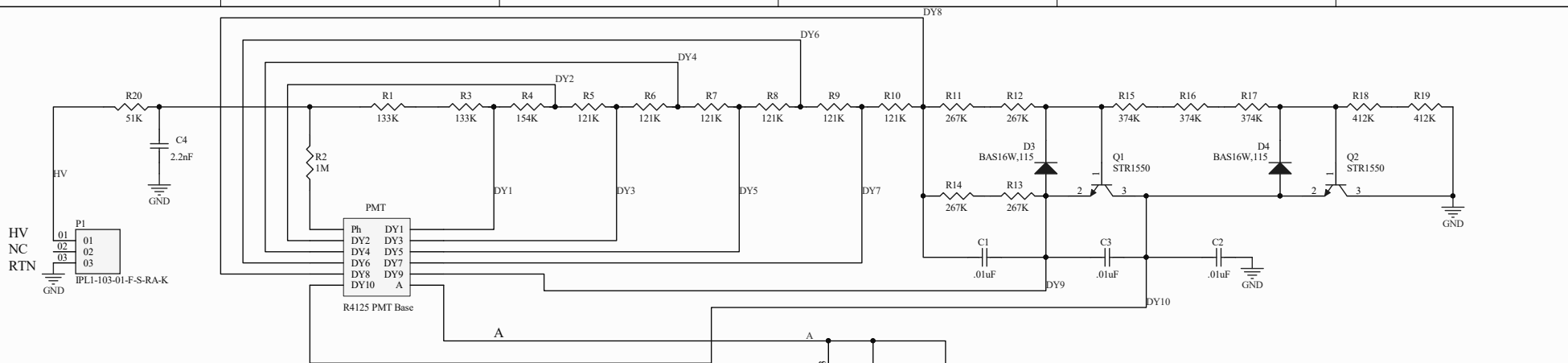
**CONFIGURATION:**

Jumpers: use M50-1920005

AMPLIFIER: install jumpers between pins 1 and 2 on both headers P4, P5.

BYPASS: install jumpers between pins 1 and 2 on both headers P4, P5.

<b>CONFIDENTIAL INFORMATION</b> The information in this document shall not be disclosed, copied nor disseminated unless authorized by the authors.			
Drawn CSS	Date: 5/23/2023	Title Hall D Electronics	
Checked	Date:	FCAL 2	
Approved	Size: B	Drawing Number:	Revision:
Engineer	File: M:\hall-d-electronics\PCBs\NPS&COMCAL\FCAL 2 Rev 2 -Longer Version\PCAL	Sheet of *	Revision:



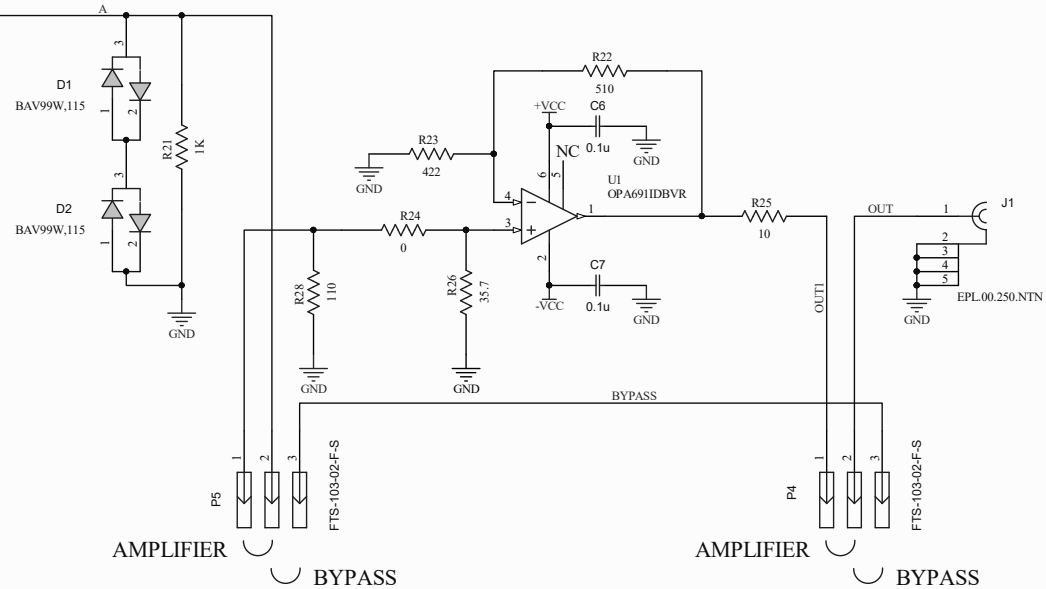
**HV Cable Assembly:**

Housing: IPD1-03-S-K

Crimp Terminal (x2): CC79L-2630-01-L

Wire : General Wire Products 030-21803 [x2 Tefzel 26 AWG]

Color: White = HV, Black = GND



**CONFIGURATION:**

Jumpers: use M50-1920005

AMPLIFIER: install jumpers between pins 1 and 2 on both headers P4, P5.

BYPASS: install jumpers between pins 1 and 2 on both headers P4, P5.

<b>CONFIDENTIAL INFORMATION</b> The information in this document shall not be disclosed, copied nor disseminated unless authorized by the authors.			
Drawn: CSS	Date: 5/23/2023	Title: Hall D Electronics	
Checked:	Date:	FCAL 2	
Approved:	Size: B	Drawing Number:	Revision:
Engineer:	File: M:\hall-d-electronics\PCBs\NPS&COMCAL\FCAL 2 Rev 2 -Longer Version.FCA	Sheet of *	Revision: