

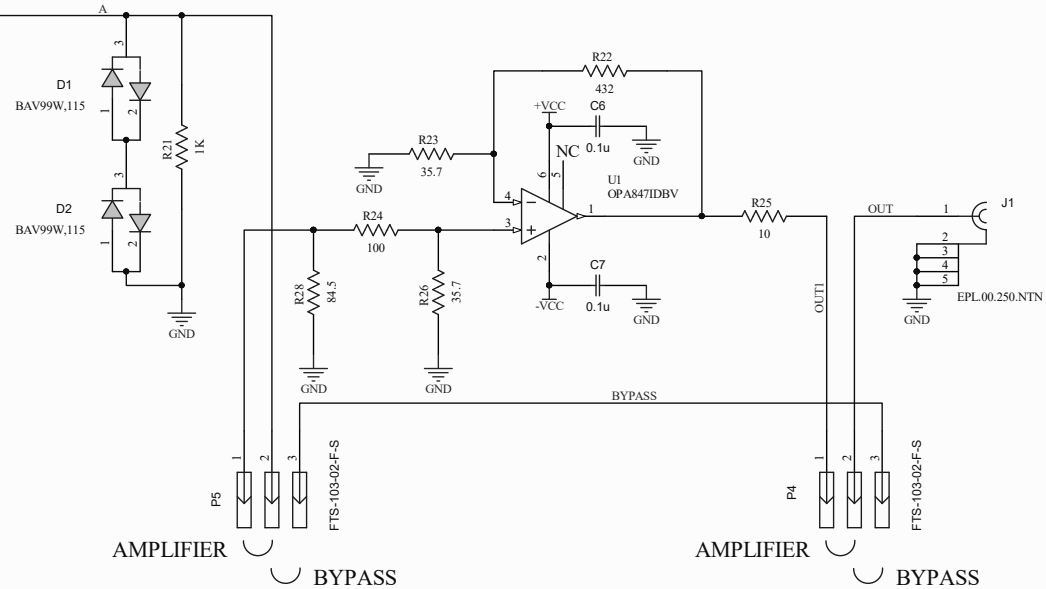
HV Cable Assembly:

Housing: IPD1-03-S-K

Crimp Terminal (x2): CC79L-2630-01-L

Wire : General Wire Products 030-21803 [x2 Tefzel 26 AWG]

Color: White = HV, Black = GND



CONFIGURATION:

Jumpers: use M50-1920005

AMPLIFIER: install jumpers between pins 1 and 2 on both headers P4, P5.

BYPASS: install jumpers between pins 1 and 2 on both headers P4, P5.

CONFIDENTIAL INFORMATION The information in this document shall not be disclosed, copied nor disseminated unless authorized by the authors.			
Drawn CSS	Date: 12/5/2022	Title Hall D Electronics	
Checked	Date:	FCAL 2	
Approved	Size: B	Drawing Number:	Revision:
Engineer	File: M:\hall-d-electronics\PCBs\NPS&COMCAL\FCAL 2\FCAL 2.SchDoc	Sheet	of * FCAL 2.SchDoc