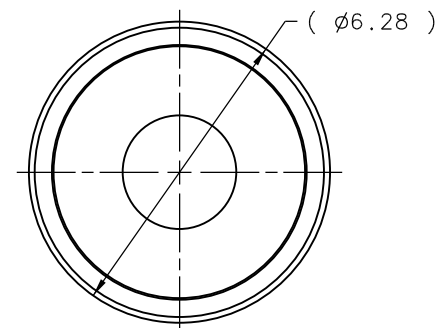
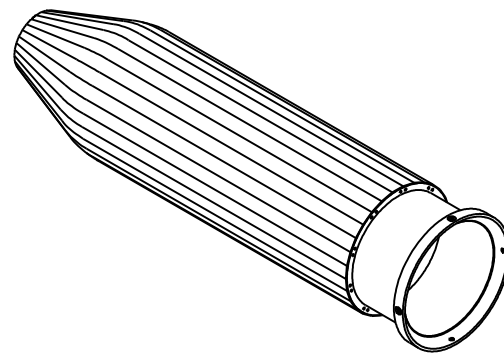
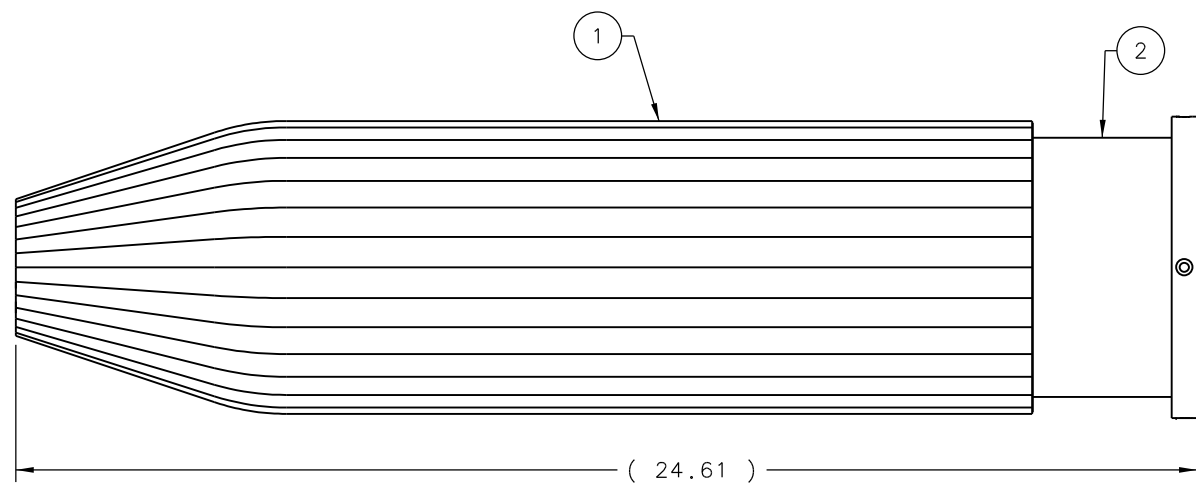
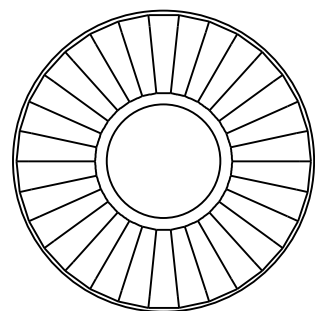


REVISION HISTORY				
ZONE	REV	DESCRIPTION	DATE	APPROVED

PRELIMINARY



QTY REQD	ITEM NO.	PART OR IDENTIFYING NO.	NOMENCLATURE OR DESCRIPTION	MATERIAL SPECIFICATION	NOTES
1	2	D00000-01-01-2002	FOAM CONE RING		
1	1	D00000-01-01-2001	INNER FOAM CONE		

DOCUMENT CONTROL STAMP		DIM & TOL PER ASME Y14.5 UNLESS OTHERWISE SPECIFIED DIMENSIONS ARE IN INCHES TOLERANCES ARE: FRACTIONS DECIMAL ANGLES ± N/A .X ± .1 ± .50° .XX ± .01 .XXX ± .005		TRACKING NO. N/A		United States Department of Energy	
MATERIAL SEE PARTS LIST		THIRD ANGLE PROJECTION		APPROVALS		DATE	
FINISH MACHINED SURFACES DEBURR & BREAK ALL SHARP EDGES		125 UNLESS OTHERWISE NOTED		DRAWN C L HUTTON		23JAN13	
DO NOT SCALE DRAWING				APPROVED		SIZE DWG. NO. D D00000-01-01-1001 SCALE 1/2 USED ON ASSY NO. D00000-01-01-0000 SHEET 1 OF 1	

Jefferson Lab
Thomas Jefferson National Accelerator Facility
Newport News Virginia

HALL D - GLUEX
DETECTOR
START COUNTER
FOAM CONE ASSEMBLY

REV. -