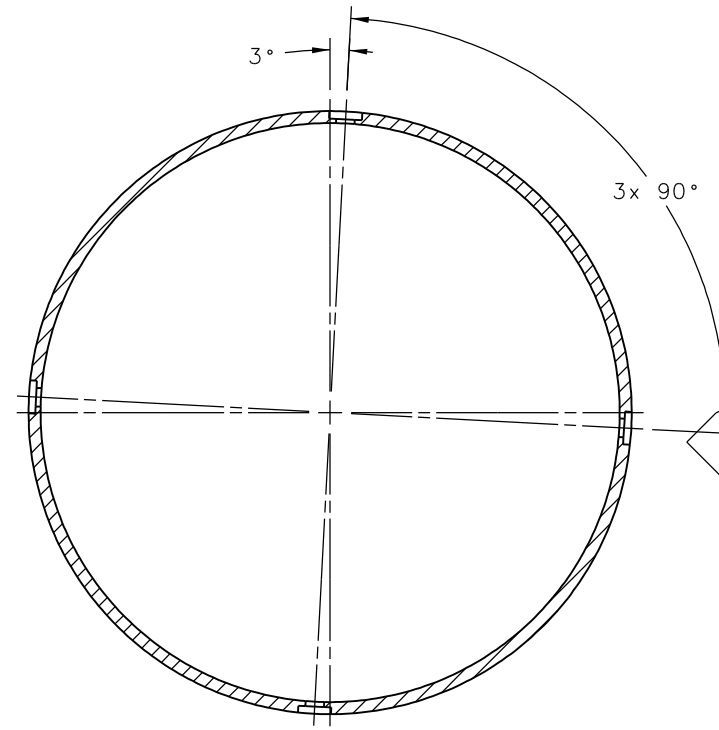
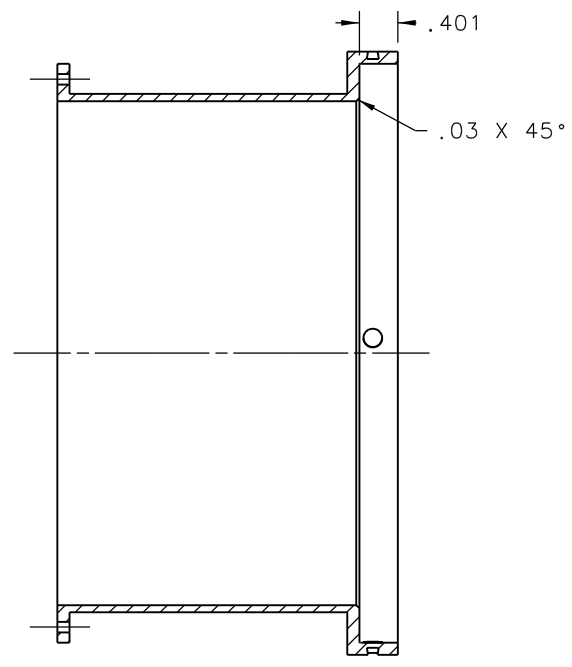
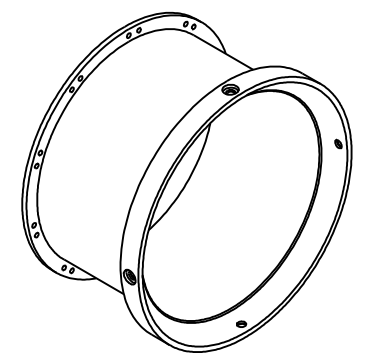
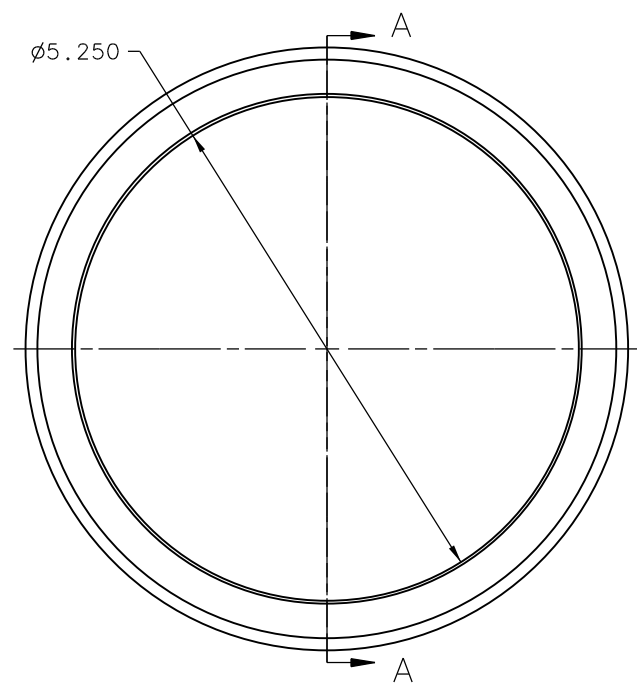
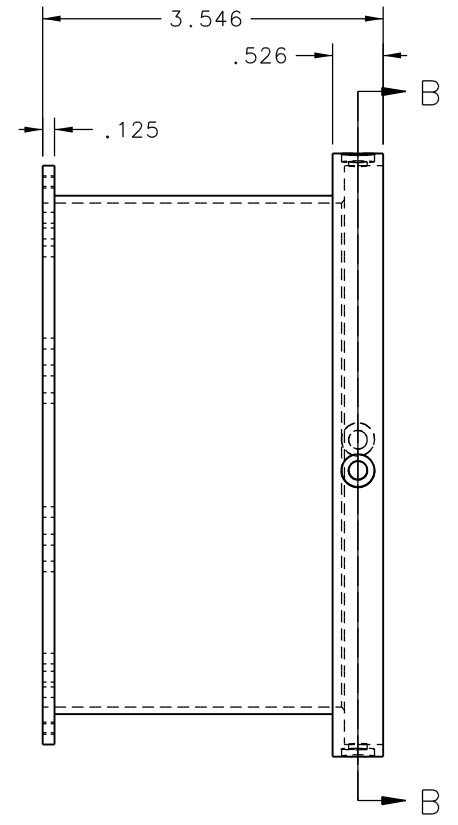
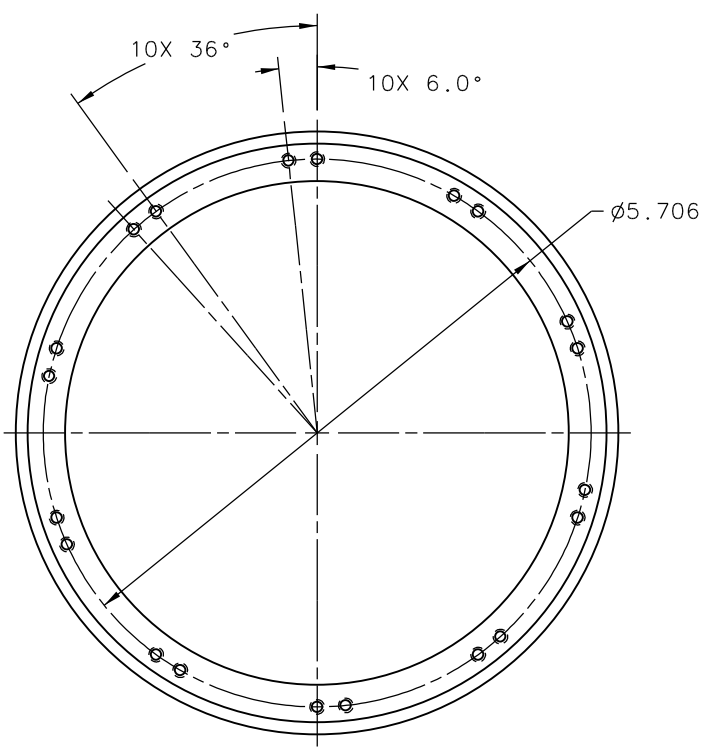


REVISION HISTORY				
ZONE	REV	DESCRIPTION	DATE	APPROVED



PRELIMINARY

DOCUMENT CONTROL STAMP	DIM & TOL PER ASME Y14.5 UNLESS OTHERWISE SPECIFIED DIMENSIONS ARE IN INCHES TOLERANCES ARE: FRACTIONS DECIMAL ANGLES ± N/A .XX ± .01 ± .50° .XXX ± .005	TRACKING NO. N/A	United States Department of Energy	Jefferson Lab Thomas Jefferson National Accelerator Facility	Newport News Virginia
MATERIAL ALUMINUM	THIRD ANGLE PROJECTION	APPROVALS DRAWN C L HUTTON	DATE 23JAN13	HALL D - GLUEX SPECTROMETER PAIR SPECTROMETER FOAM CONE RING	
FINISH MACHINED SURFACES DEBURR & BREAK ALL SHARP EDGES	125 ✓ UNLESS OTHERWISE NOTED	CHECKED	APPROVED	SIZE D	DWG. NO. D00000-01-01-2002
DO NOT SCALE DRAWING		APPROVED	SCALE 1 : 1	USED ON ASSY NO. D00000-01-01-1001	SHEET 1 OF 1