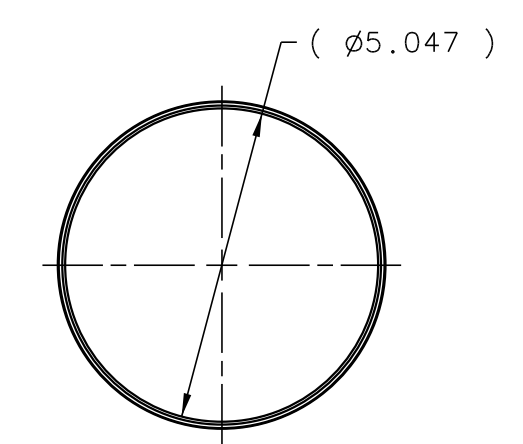
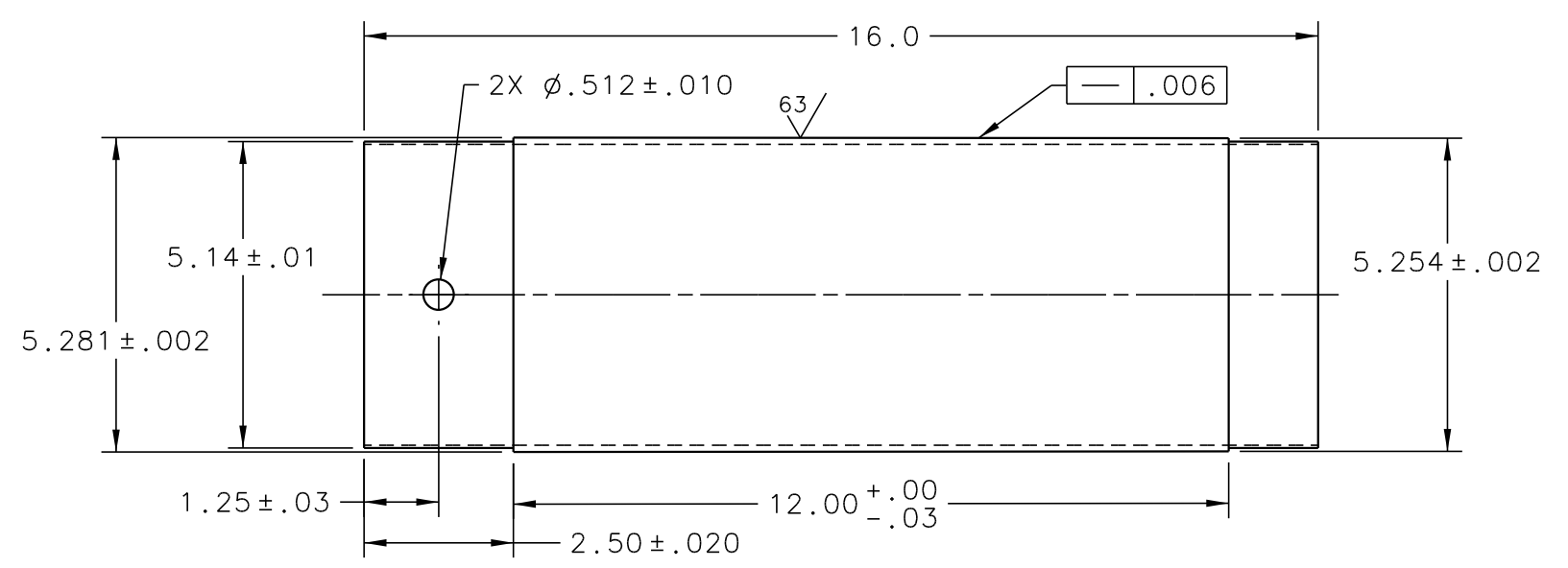


4 3 2 1

REVISION HISTORY				
ZONE	REV	DESCRIPTION	DATE	APPROVED



DOCUMENT CONTROL STAMP	DIM & TOL PER ASME Y14.5 . UNLESS OTHERWISE SPECIFIED DIMENSIONS ARE IN INCHES TOLERANCES ARE: FRACTIONS DECIMAL ANGLES ± N/A .X ± .1 ± .50° .XX ± .01 .XXX ± .005	TRACKING NO. N/A		United States Department of Energy Jefferson Lab <small>Thomas Jefferson National Accelerator Facility</small> Newport News Virginia
		APPROVALS	DATE	
MATERIAL ALUMINUM PIPE 6061-T6 SCH 40	THIRD ANGLE PROJECTION	DRAWN C HUTTON	18SEP13	SIZE DWG. NO. C D00000-01-01-2003
FINISH MACHINED SURFACES UNLESS OTHERWISE NOTED DEBURR & BREAK ALL SHARP EDGES		CHECKED	APPROVED	REV. -
DO NOT SCALE DRAWING		APPROVED	SCALE 1/2	USED ON ASSY NO. SHEET 1 OF 1

4 3 2 1