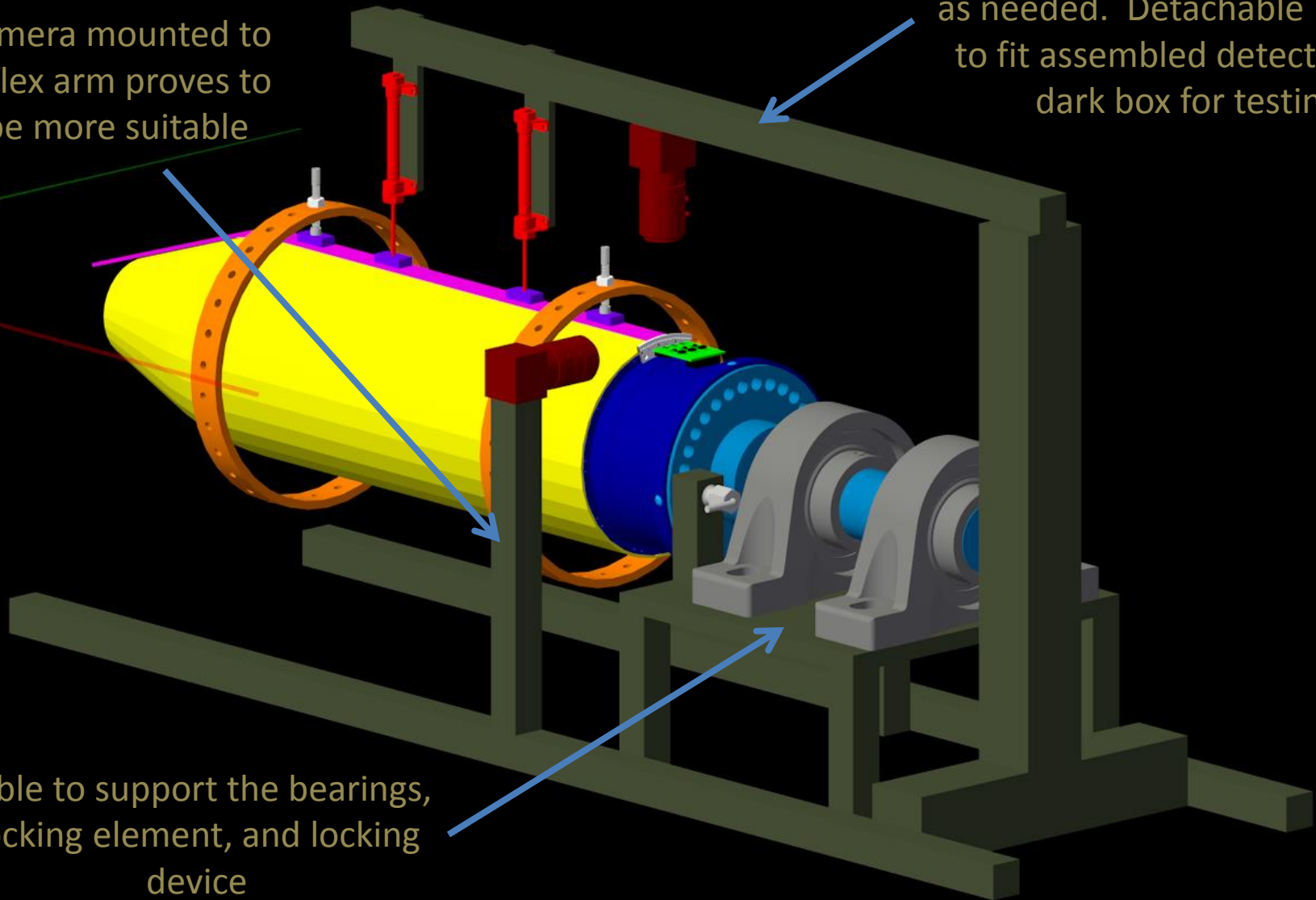
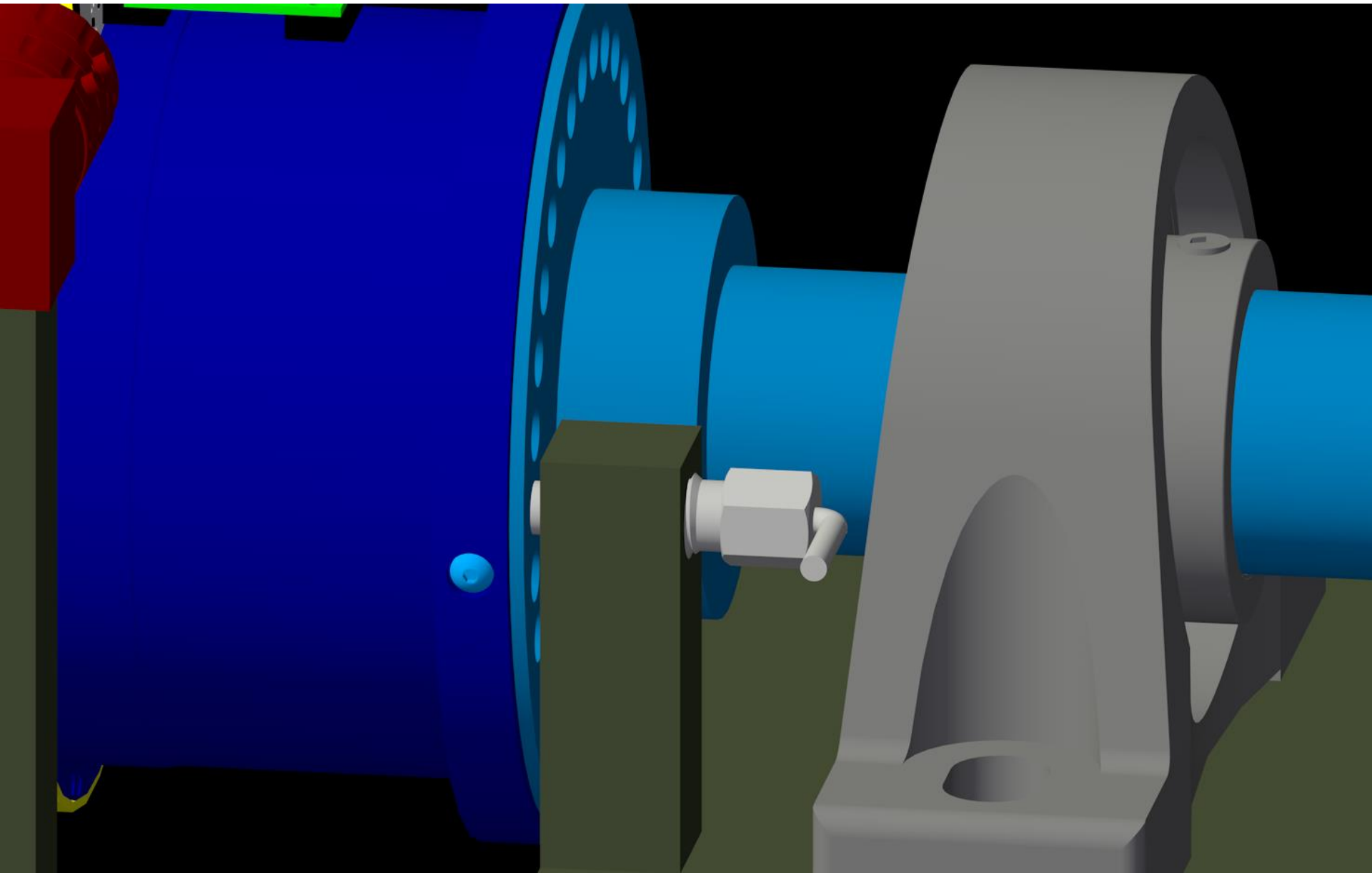


Detachable if camera mounted to a flex arm proves to be more suitable

More components can be added as needed. Detachable in order to fit assembled detector into dark box for testing

Table to support the bearings, locking element, and locking device

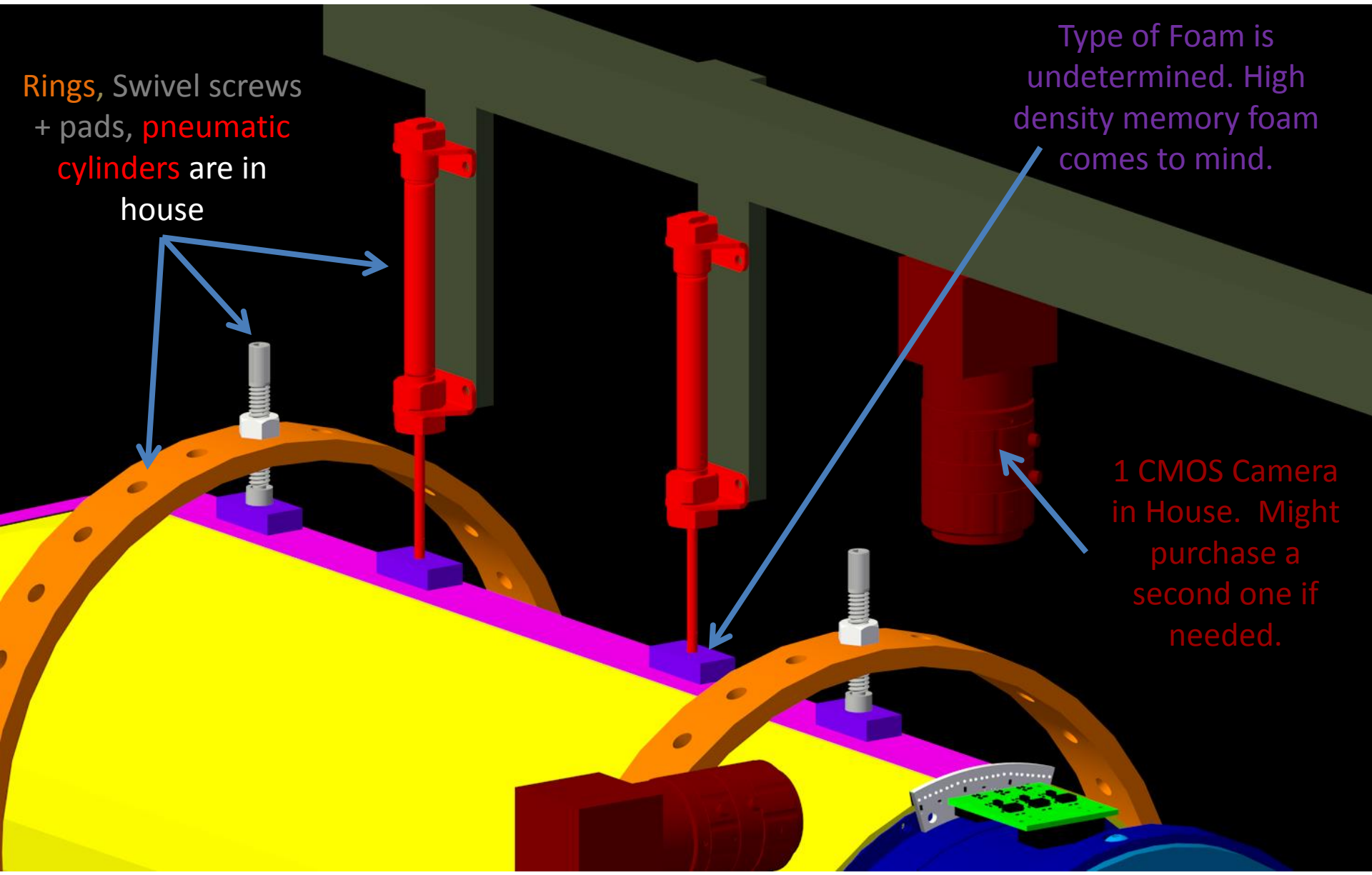




Rings, Swivel screws + pads, **pneumatic cylinders** are in house

Type of Foam is undetermined. High density memory foam comes to mind.

1 CMOS Camera in House. Might purchase a second one if needed.



Two fixed positions for reproducible monitoring and measuring of coupling. A third multi-position mount, via flex arm, provides additional alignment information.

