

REVISION HISTORY				
ZONE	REV	DESCRIPTION	DATE	APPROVED

D

D

C

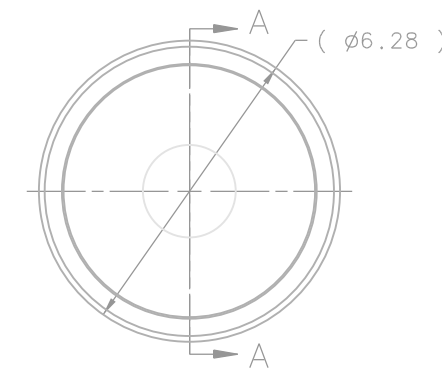
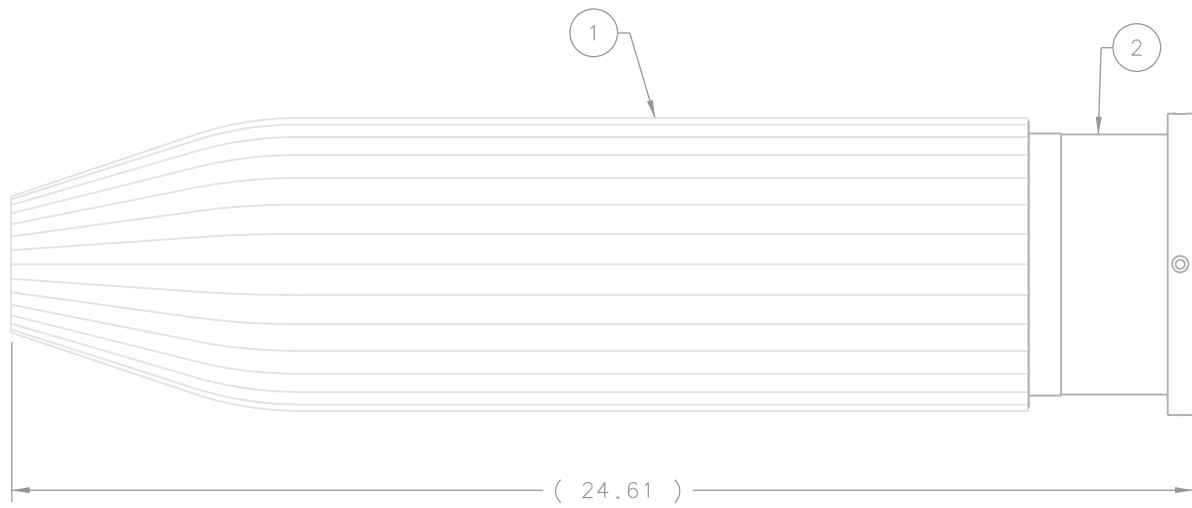
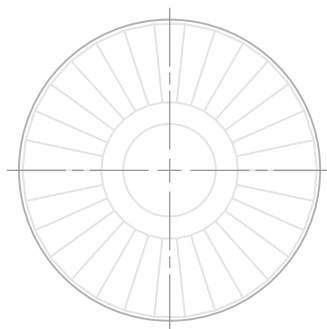
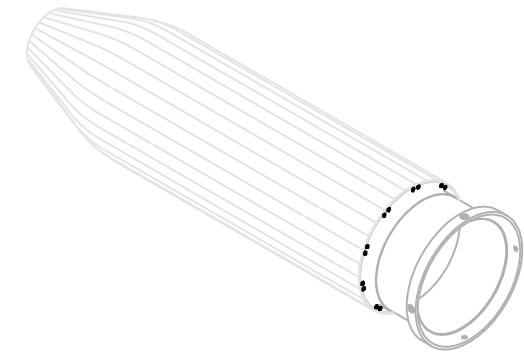
C

B

B

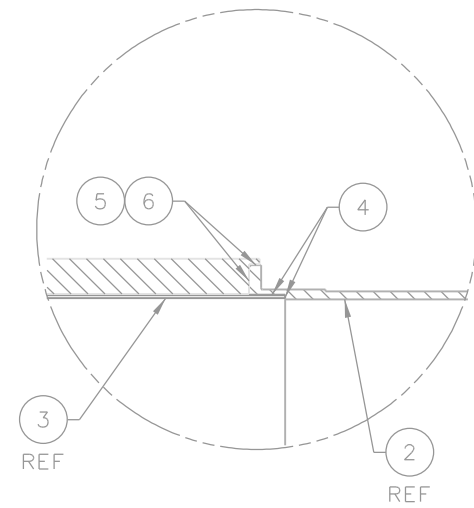
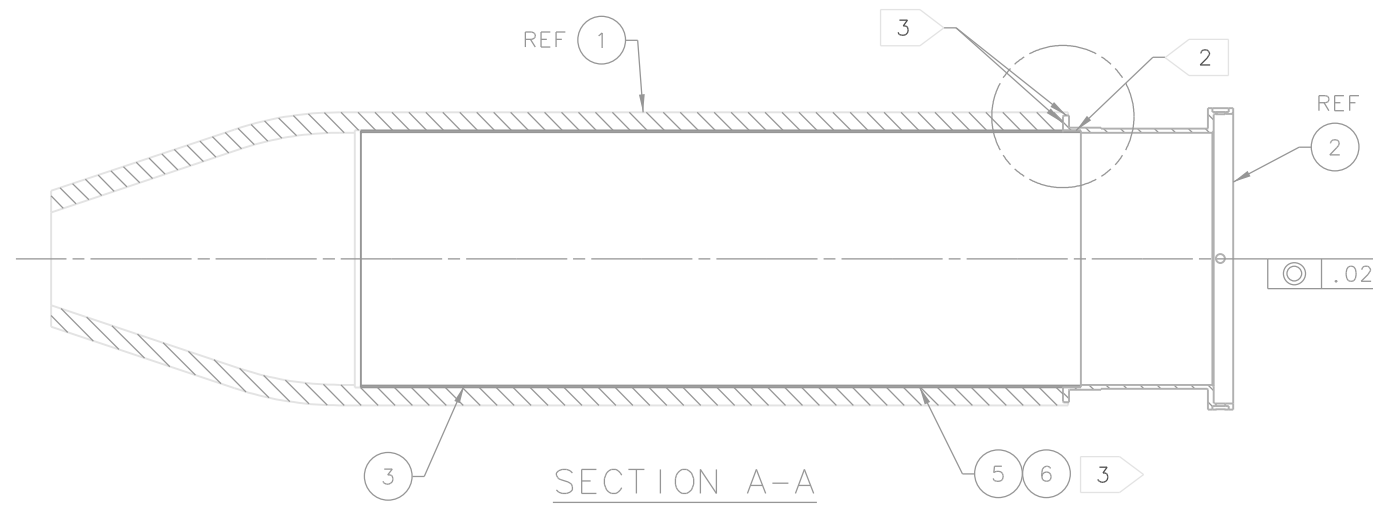
A

A



NOTES:

- SUGGESTED SOURCE OR JLAB APPROVED ALTERNATE:
MCMASTER-CARR
(630)833-0300
www.mcmaster.com
- GLUE FOAM CORE CARBON FIBER TUBE (ITEM 3) TO FOAM ATTACHMENT RING (ITEM 2) USING ITEM 4 WHERE SHOWN.
- ATTACH THE 2 HALVES OF THE INNER FOAM CORE (ITEM 1) AROUND THE CARBON FIBER TUBE (ITEM 3) AND USE ITEMS 5 & 6 TO COMPLETE ASSY THE FOAM ATTACHMENT RING.



QTY REQD	ITEM NO.	PART OR IDENTIFYING NO.	NOMENCLATURE OR DESCRIPTION	MATERIAL SPECIFICATION	NOTES
AR	6	WEST SYSTEM 410	LOW DENSITY FILLER		1
AR	5	WEST SYSTEM 105 & 205	EPOXY		1
AR	4	3M SCOTH-WELD DP190	EPOXY ADHESIVE		1
1	3	D00000-01-01-2004	FOAM CORE CARBON FIBER TUBE		2
1	2	D00000-01-01-2002	FOAM ATTACHMENT RING		2
1	1	D00000-01-01-2001	INNER FOAM CONE		2

DOCUMENT CONTROL STAMP DIM & TOL PER ASME Y14.5 UNLESS OTHERWISE SPECIFIED DIMENSIONS ARE IN INCHES TOLERANCES ARE: FRACTIONS DECIMAL ANGLES ± N/A .X ± .1 .XX ± .01 .XXX ± .005 FINISH MACHINED SURFACES DEBURR & BREAK ALL SHARP EDGES DO NOT SCALE DRAWING	TRACKING NO. N/A	United States Department of Energy Jefferson Lab <small>Thomas Jefferson National Accelerator Facility</small> Newport News Virginia
	MATERIAL SEE PARTS LIST	
THIRD ANGLE PROJECTION 		SIZE DWG. NO. D D00000-01-01-1001 SCALE 1/2 USED ON ASSY NO. D00000-01-01-0000 SHEET 1 OF 1