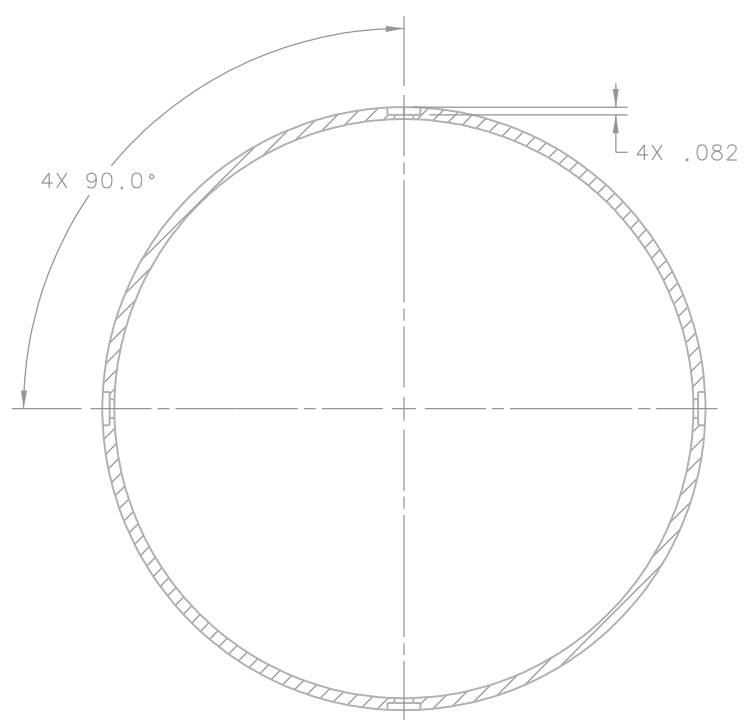
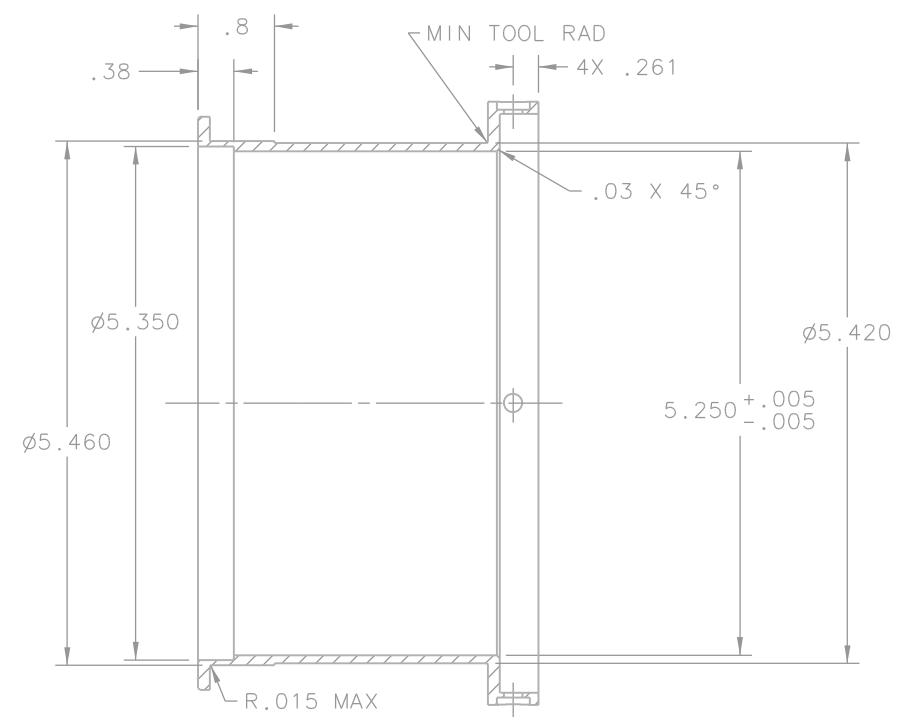
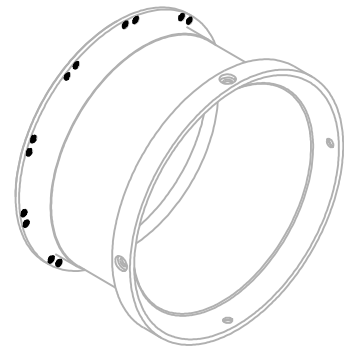
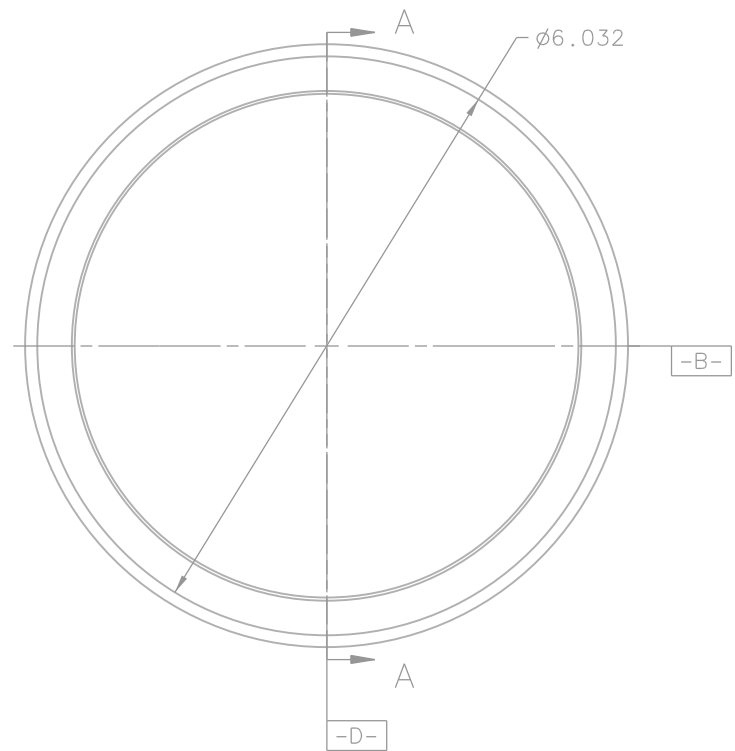
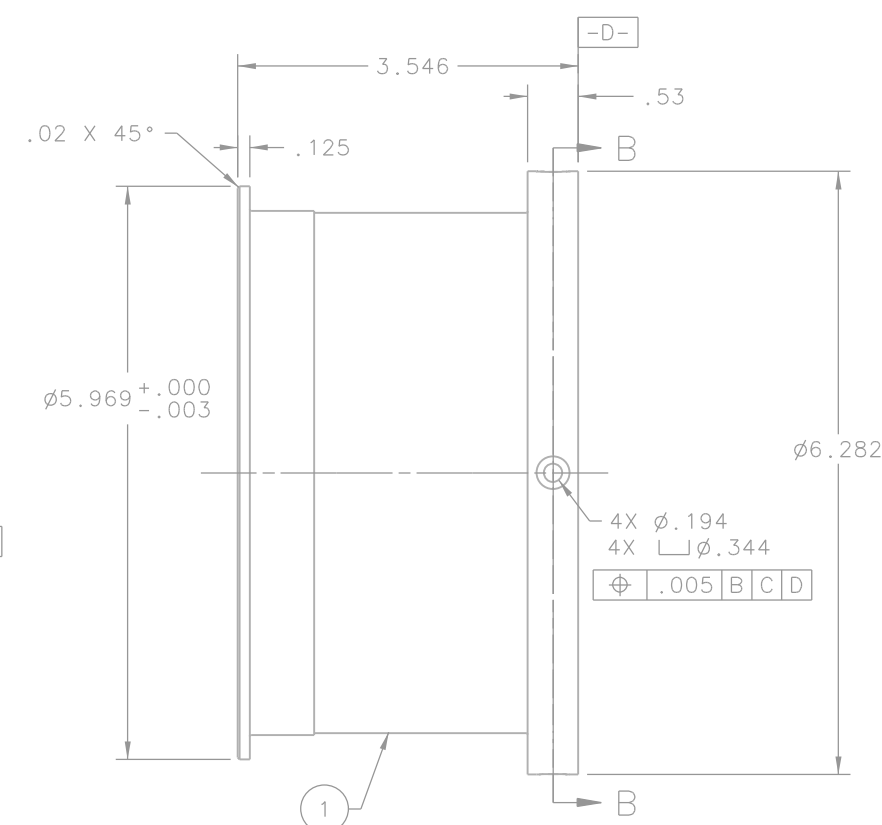
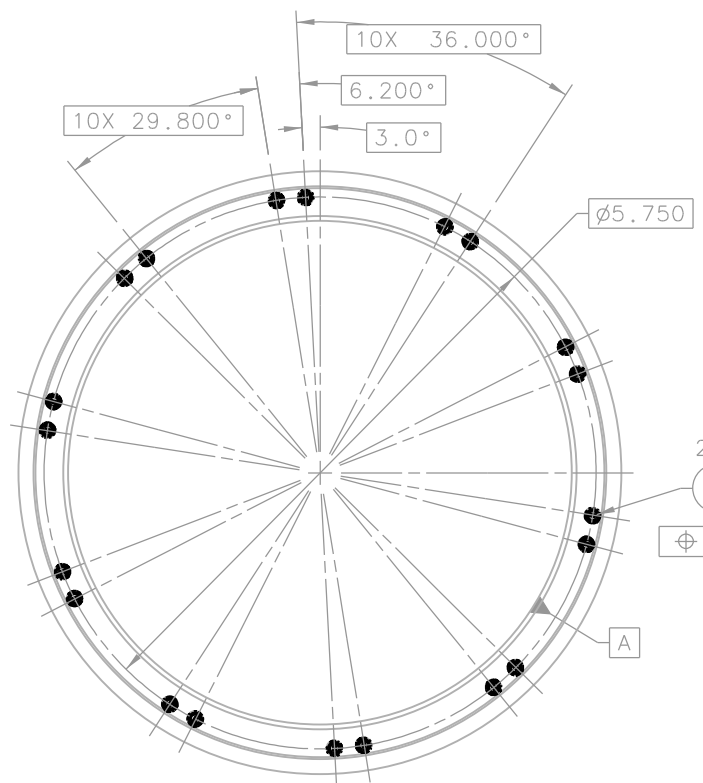


REVISION HISTORY				
ZONE	REV	DESCRIPTION	DATE	APPROVED



NOTES:
 1. SUGGESTED SOURCE OR JLAB APPROVED ALTERNATE:
 MCMaster-CARR
 (609) 259-8900
 www.mcmaster.com

QTY REQD	ITEM NO.	PART OR IDENTIFYING NO.	NOMENCLATURE OR DESCRIPTION	MATERIAL SPECIFICATION	NOTES
20	2	MCMaster-CARR 91732A005	HELICOIL INSERT #4-48 INTERNAL	STAINLESS STEEL, 18-8	1
1	1		FOAM CORE RING	ALUMINUM	

DOCUMENT CONTROL STAMP	DIM & TOL PER ASME Y14.5 UNLESS OTHERWISE SPECIFIED DIMENSIONS ARE IN INCHES TOLERANCES ARE: FRACTIONS DECIMAL ANGLES ± N/A .XX ± .01 ± .50° .XXX ± .005	TRACKING NO. N/A		United States Department of Energy Jefferson Lab Thomas Jefferson National Accelerator Facility Newport News Virginia
		APPROVALS	DATE	
MATERIAL SEE PARTS LIST	THIRD ANGLE PROJECTION	DRAWN C HUTTON	31MAR14	HALL D - GLUEX DETECTORS START COUNTER FOAM ATTACHMENT RING
FINISH MACHINED SURFACES DEBURR & BREAK ALL SHARP EDGES	125 UNLESS OTHERWISE NOTED	CHECKED	APPROVED	SIZE DWG. NO. D D00000-01-01-1002
DO NOT SCALE DRAWING		APPROVED		SCALE 1:1 USED ON ASSY NO. D00000-01-01-1001 SHEET 1 OF 1

SECTION A-A

SECTION B-B