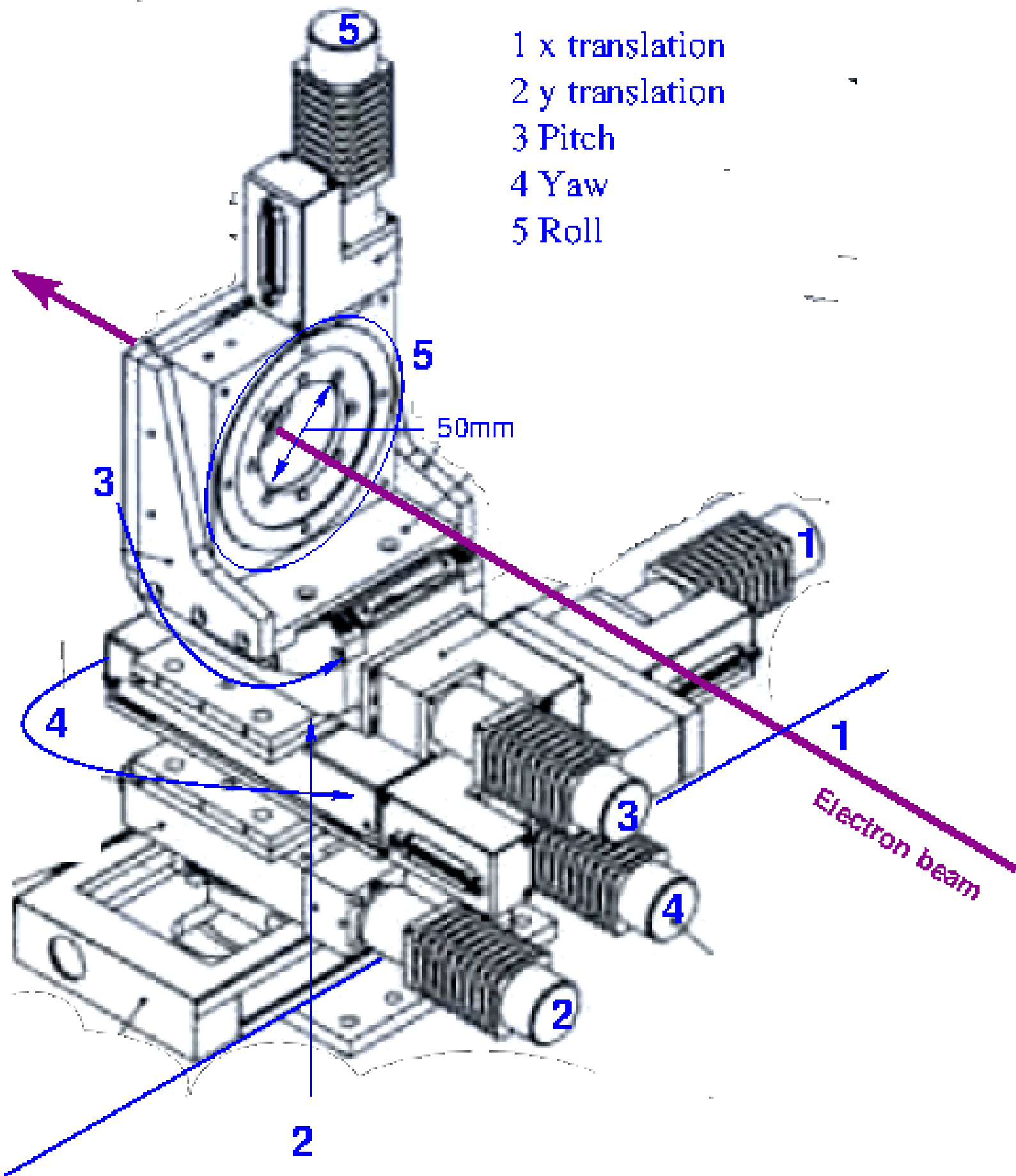


- 1 x translation
- 2 y translation
- 3 Pitch
- 4 Yaw
- 5 Roll



50mm

Electron beam