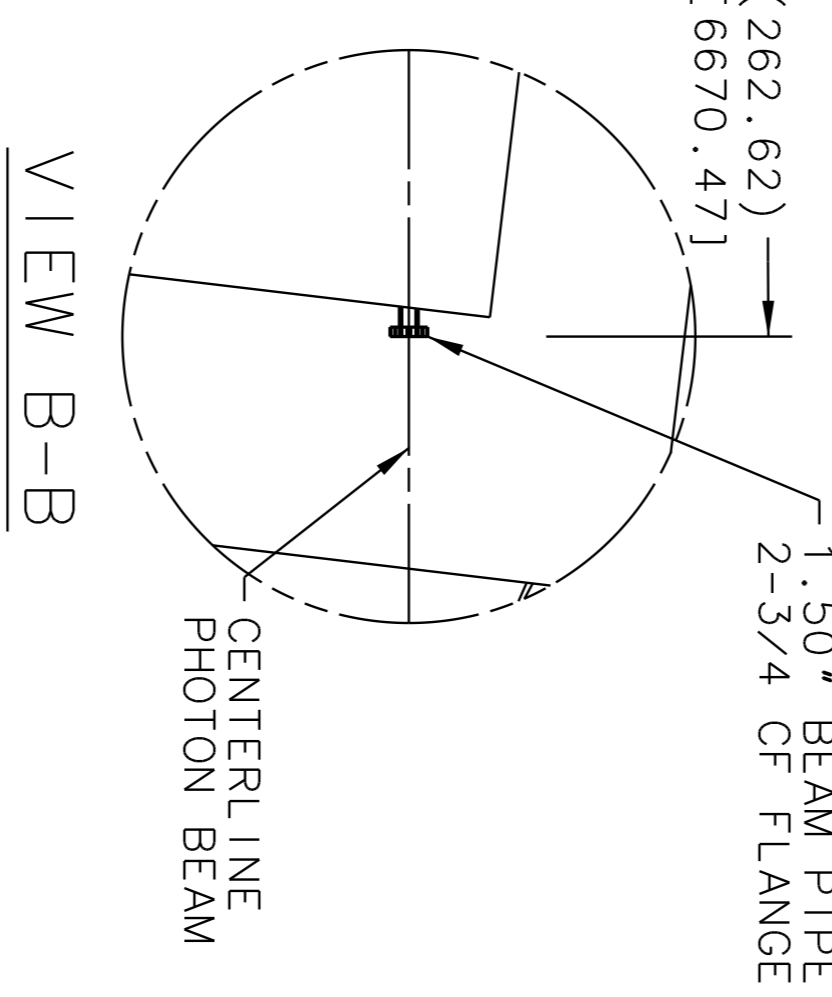
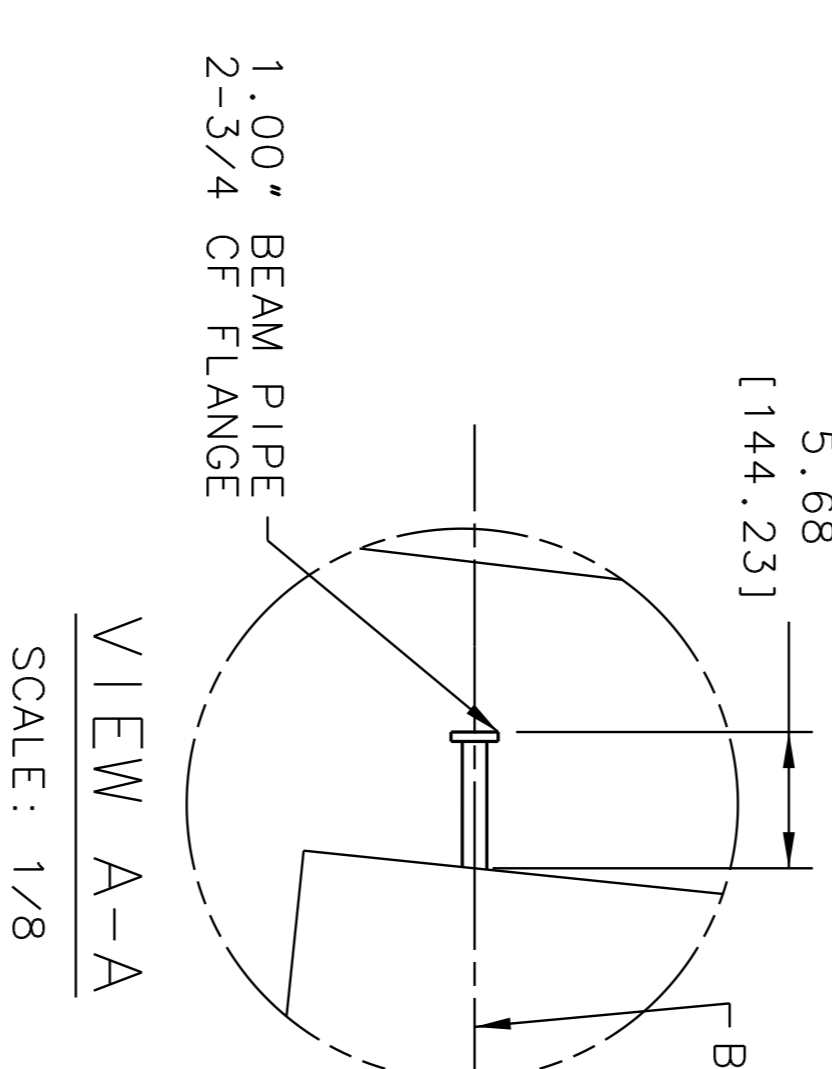
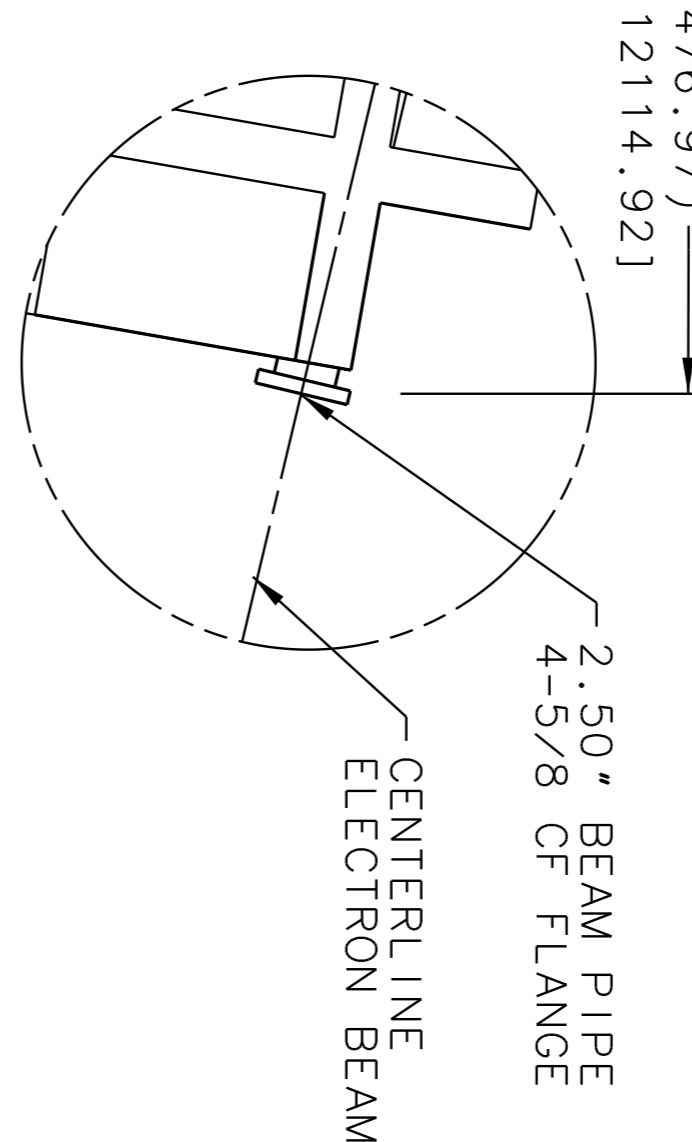
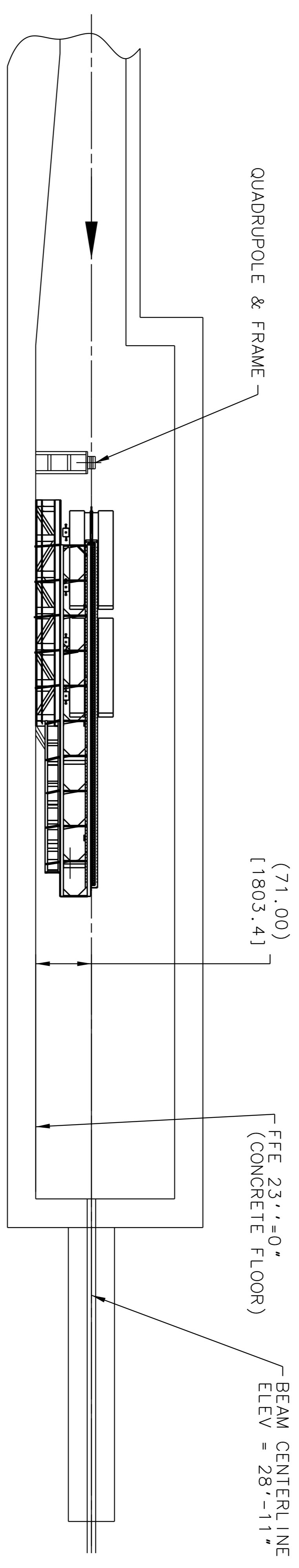
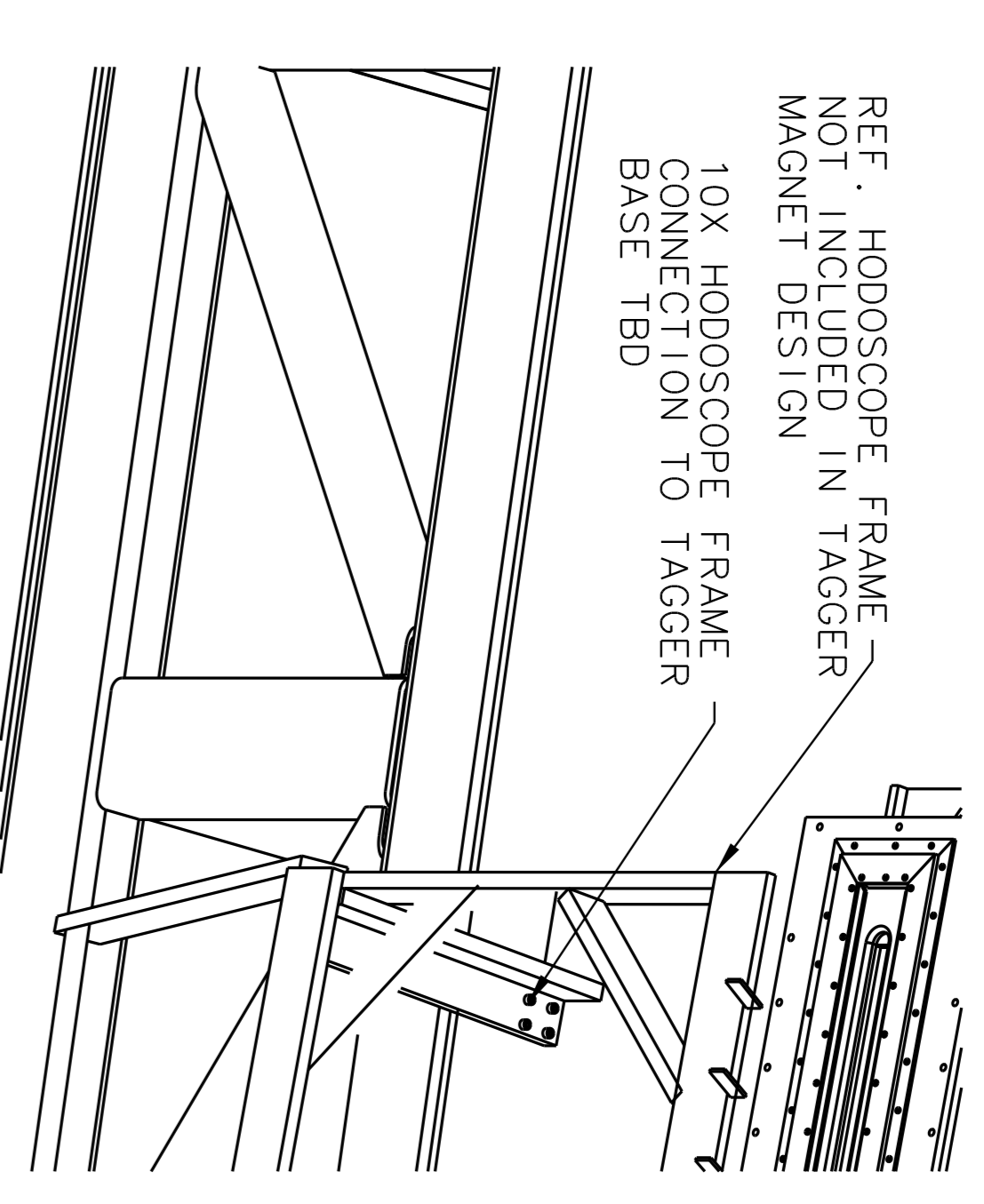
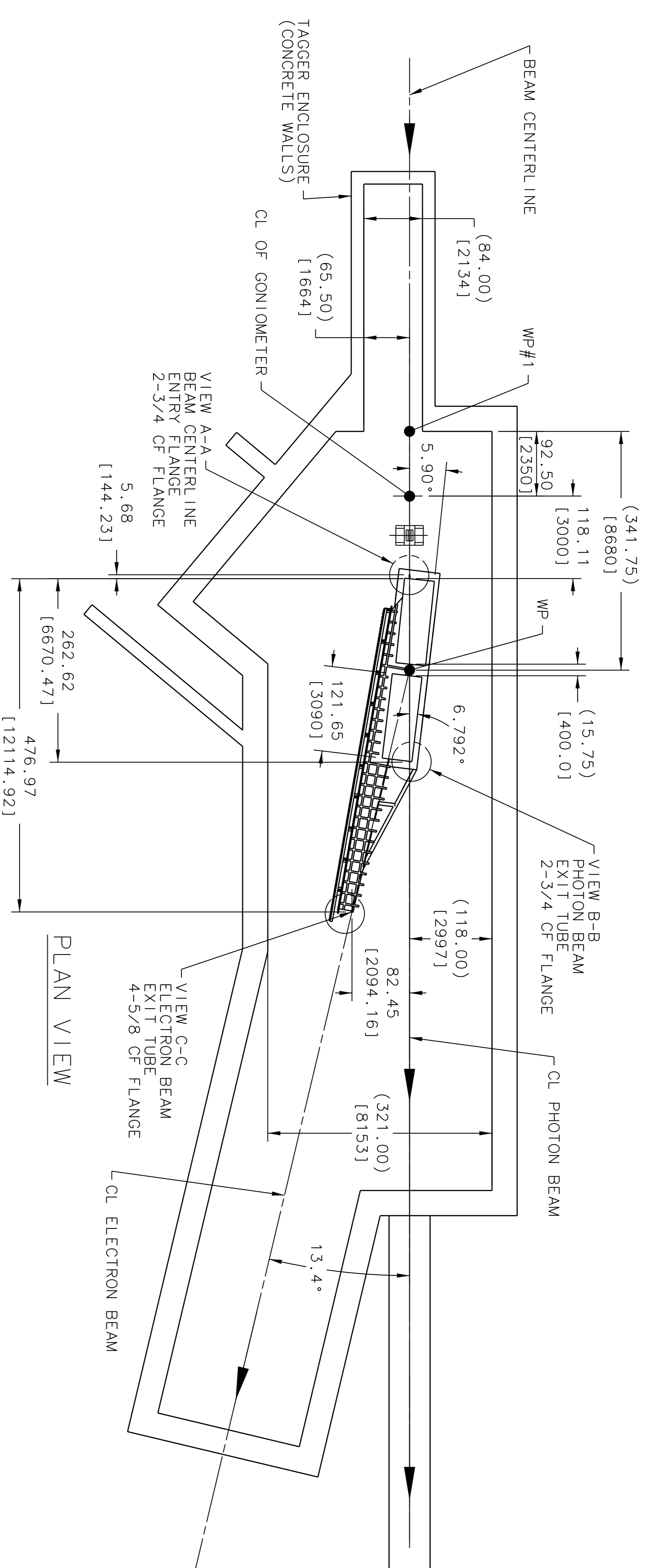


ZONE	REV	DESCRIPTION	DATE	APPROVED
		REVISION HISTORY		



DOCUMENT CONTROL STAMP		DATE & TIME FOR THIS DATE		TRACKING NO. N/A		United States of Energy	
MATERIAL: N/A		UNLESS OTHERWISE SPECIFIED, DIMENSIONS ARE IN INCHES AND DECIMALS ARE TO 0.005		APPROVALS		jaggon Lab	
FINISH: UNLESS OTHERWISE SPECIFIED, ORDER & BREAK ALL SHARP EDGES		THIRD ANGLE PROJECTION		DRAWN: HITTON		Hall D-GUEX	
DO NOT SCALE DRAWING		SCALE: 1/8" = 1'-0"		DATE: 07JAN08		PHOTON TAGGER	
				APPROVED:		TAGGER MAGNET & VACUUM CHAMBER	
				APPROVED:		TAGGER INTERFACE DRAWING	
				SCALE: 1/8" = 1'-0"		NO: D00000-19-00-3001	
				SHEET 1 OF 1		REV: -	

