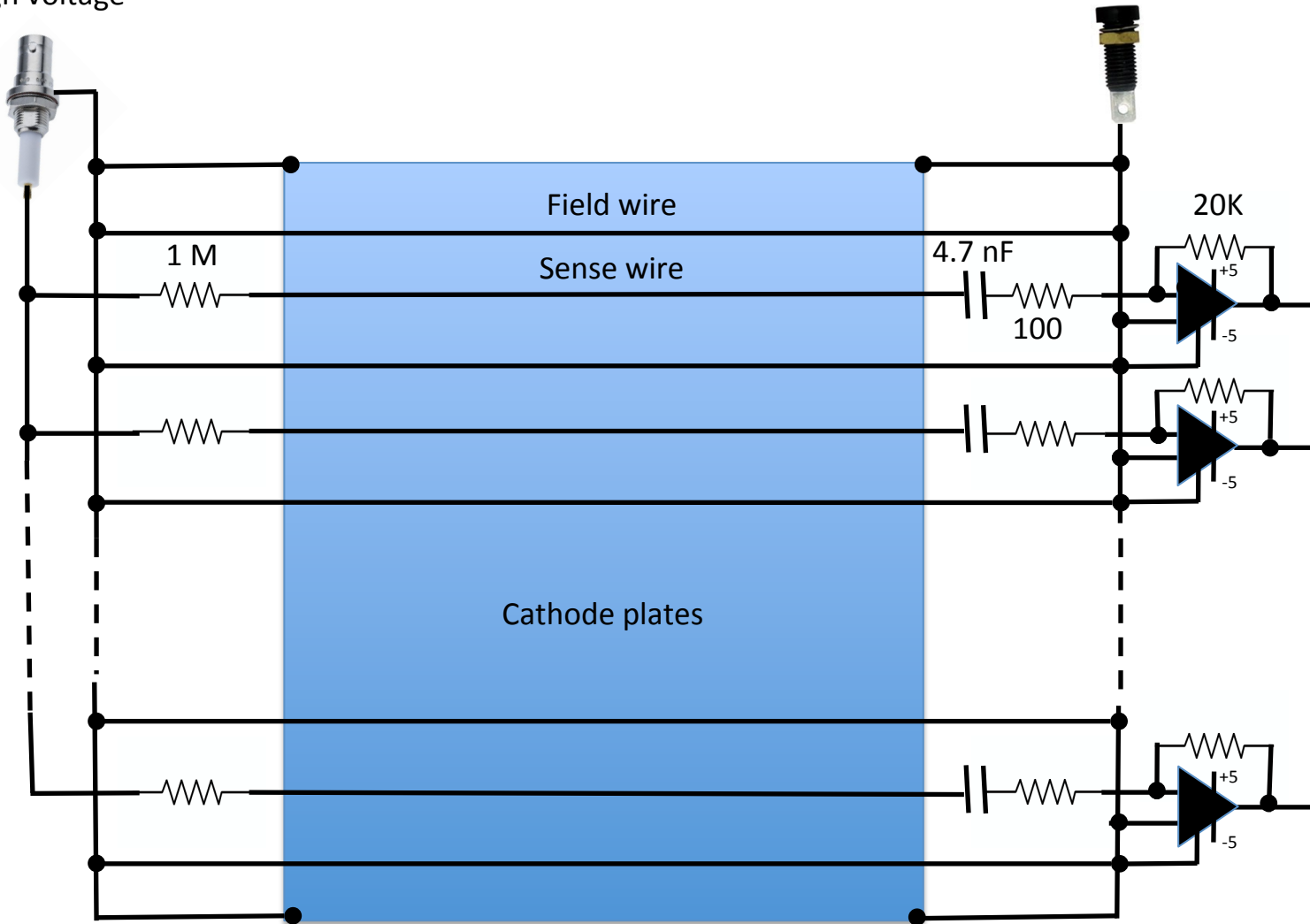
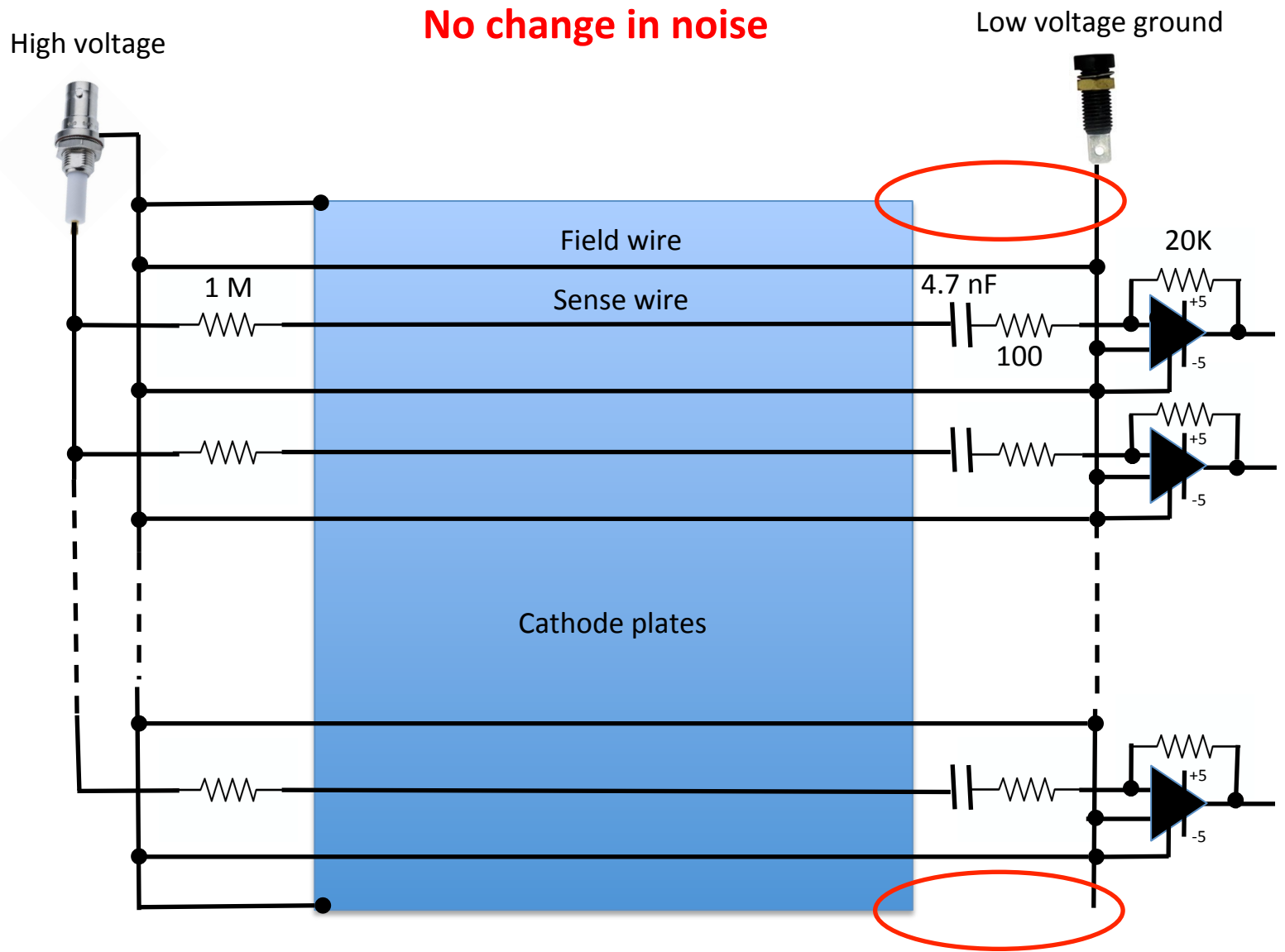


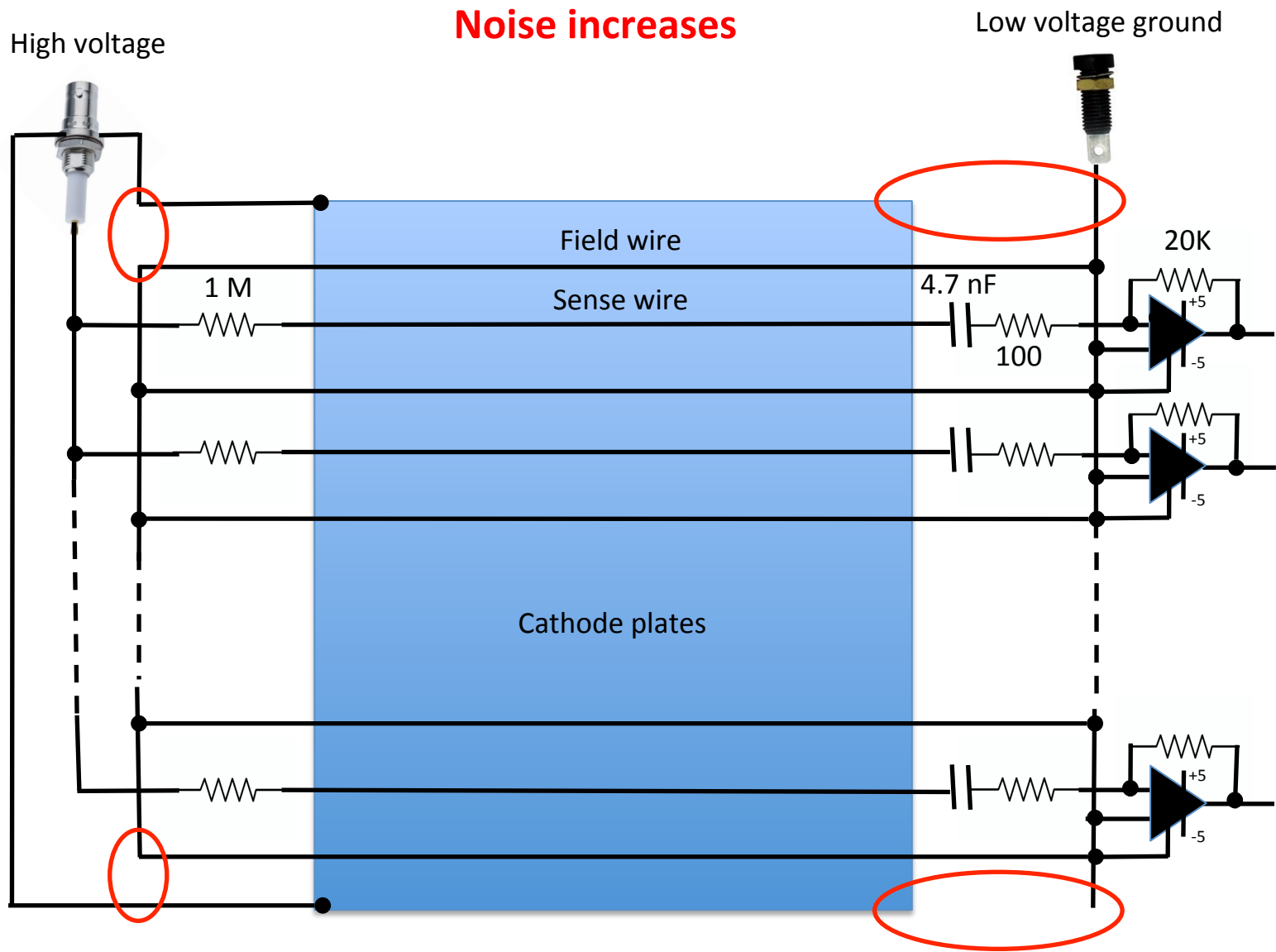
Present configuration

High voltage

Low voltage ground







Untested

High voltage

Low voltage ground

