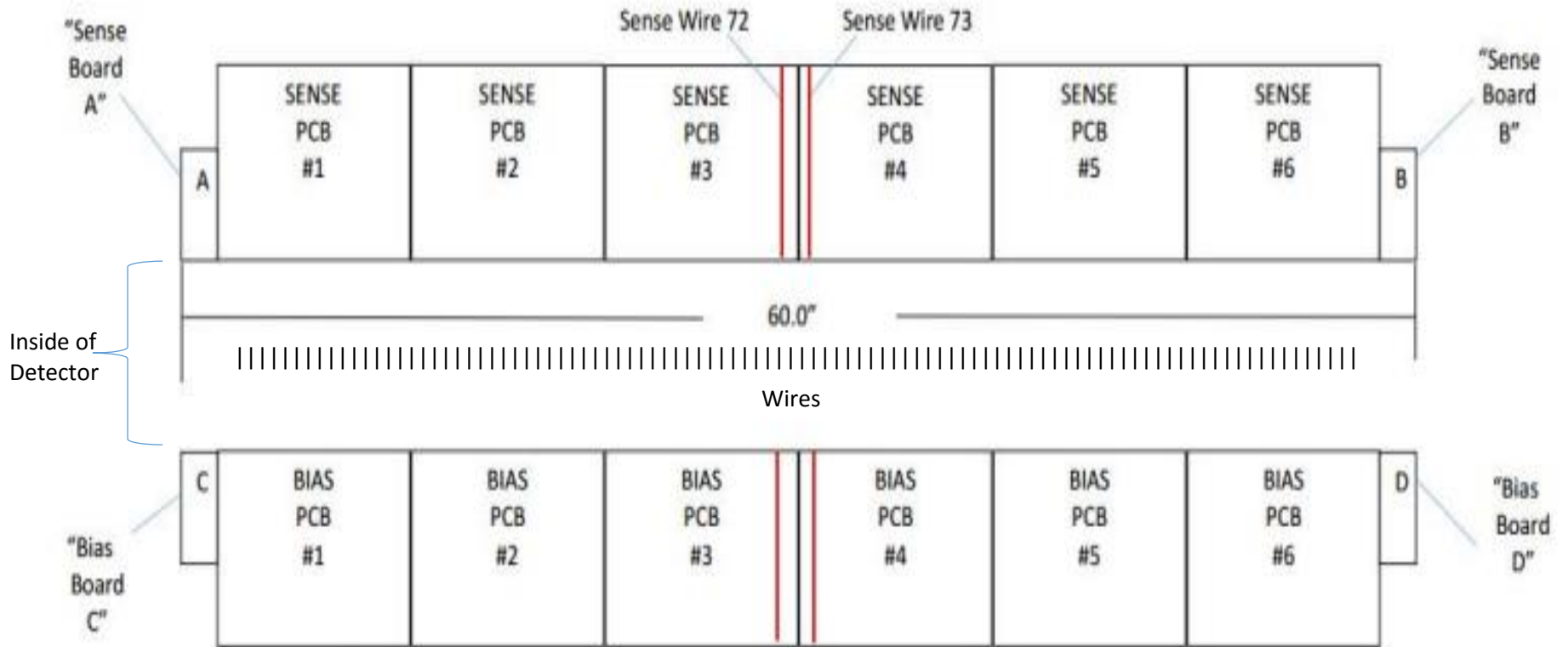
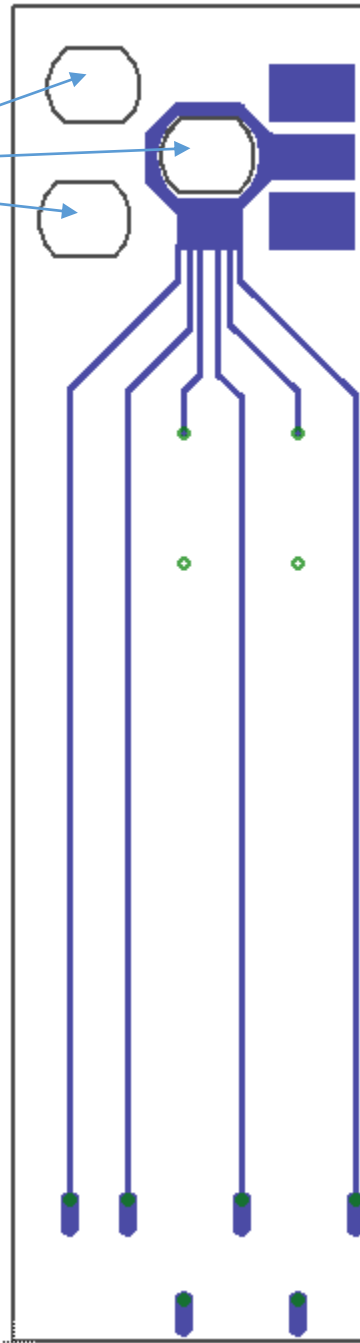


Overview of PCB Layout

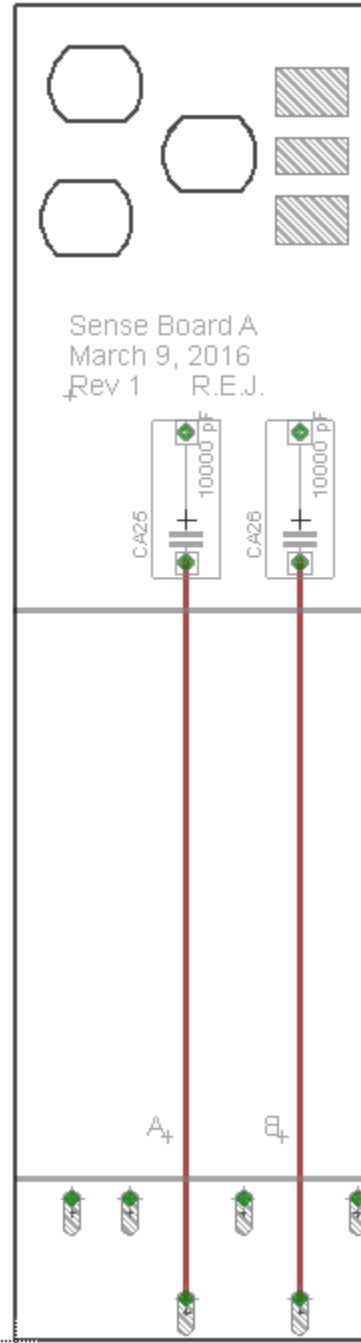


Sense Board A

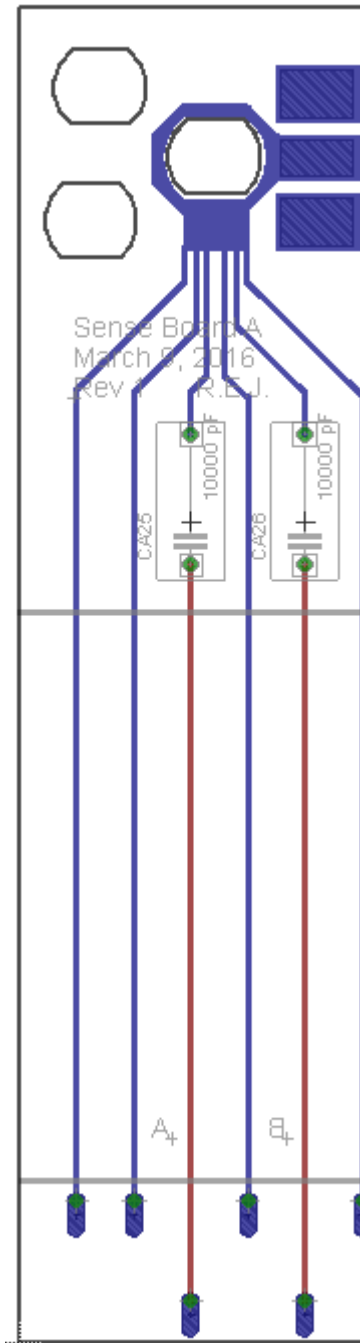
LV Jack
holes



Bottom



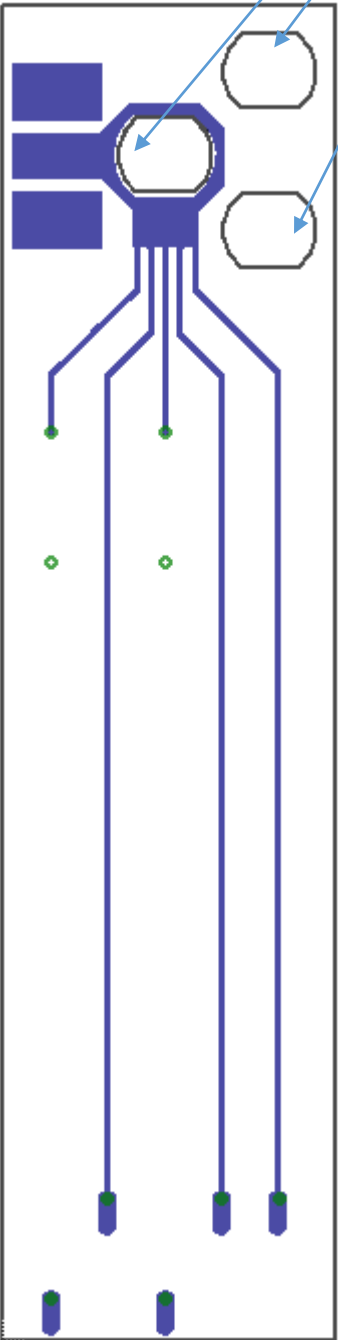
Top



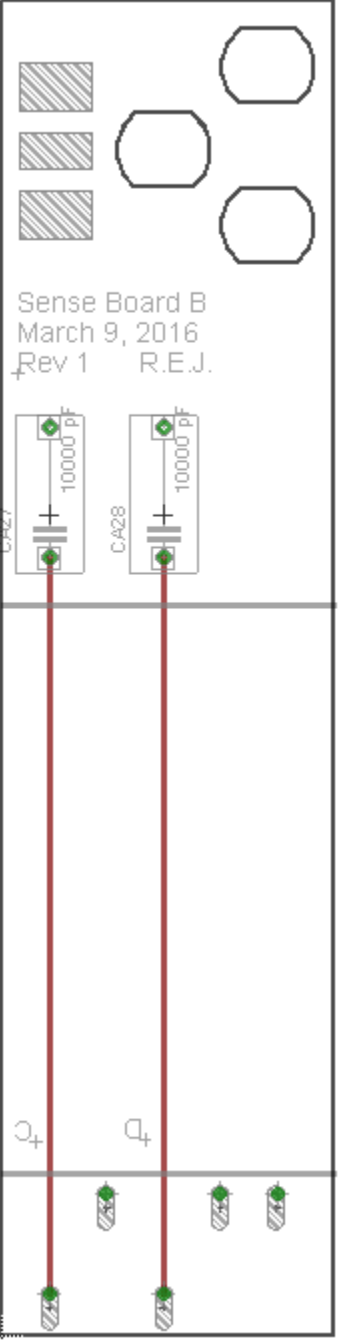
Overlay

Sense Board B

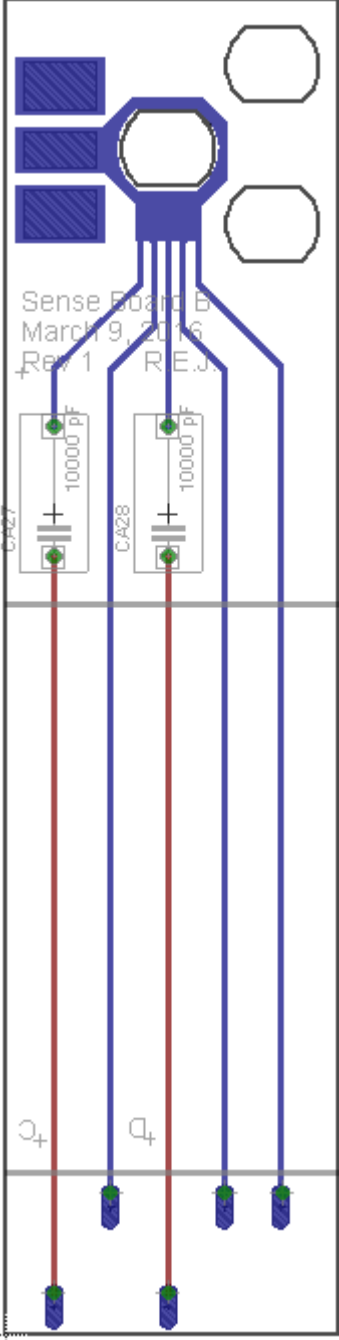
LV Jack
holes



Bottom

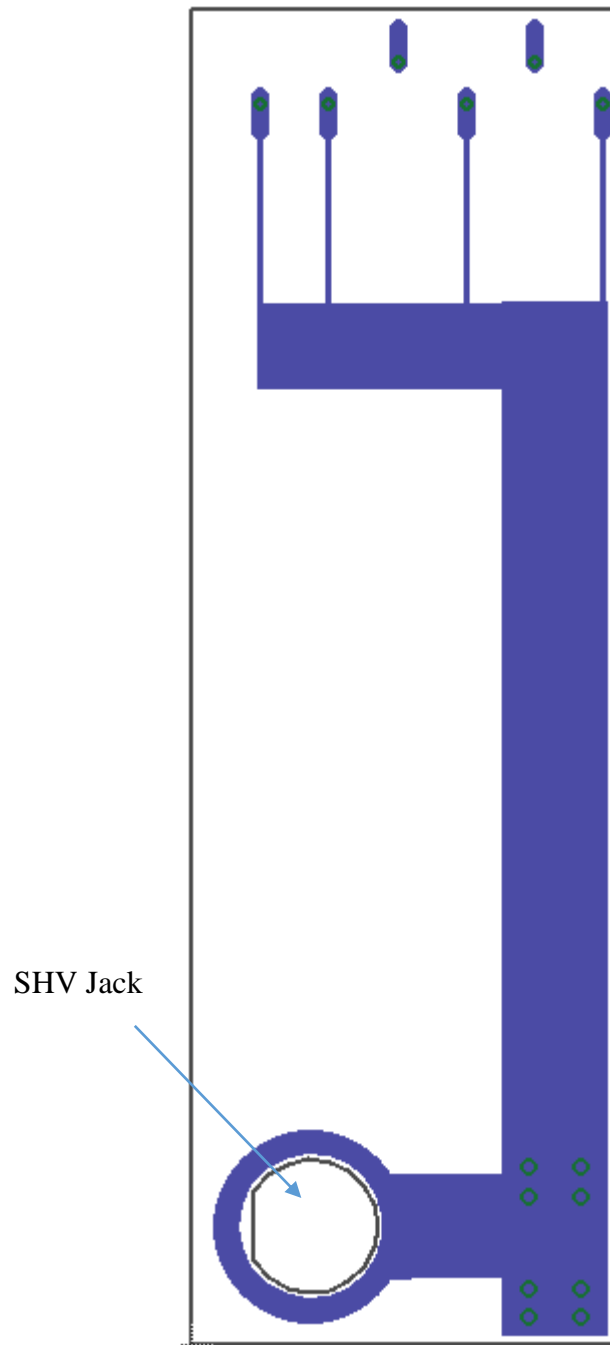


Top

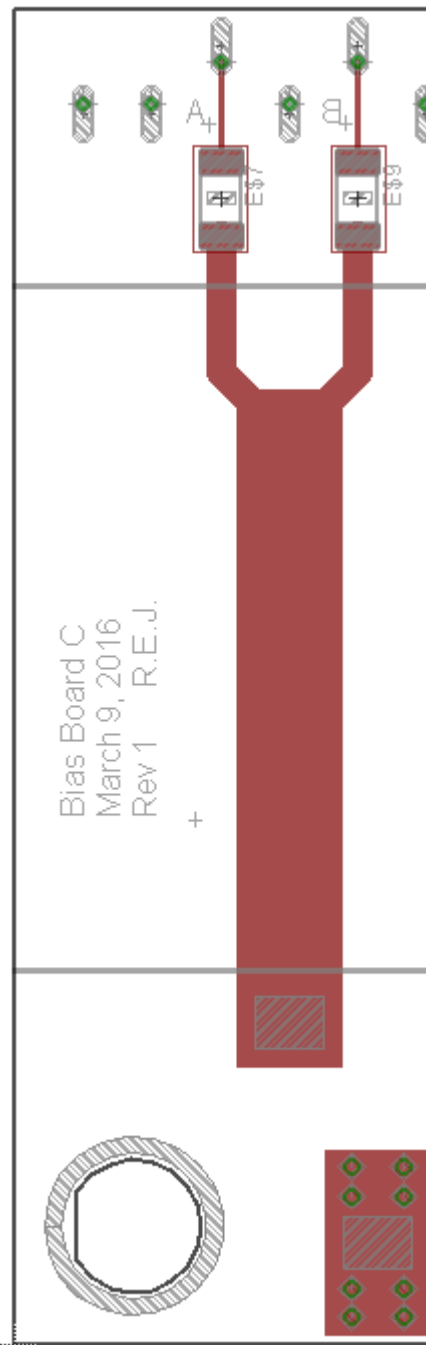


Overlay

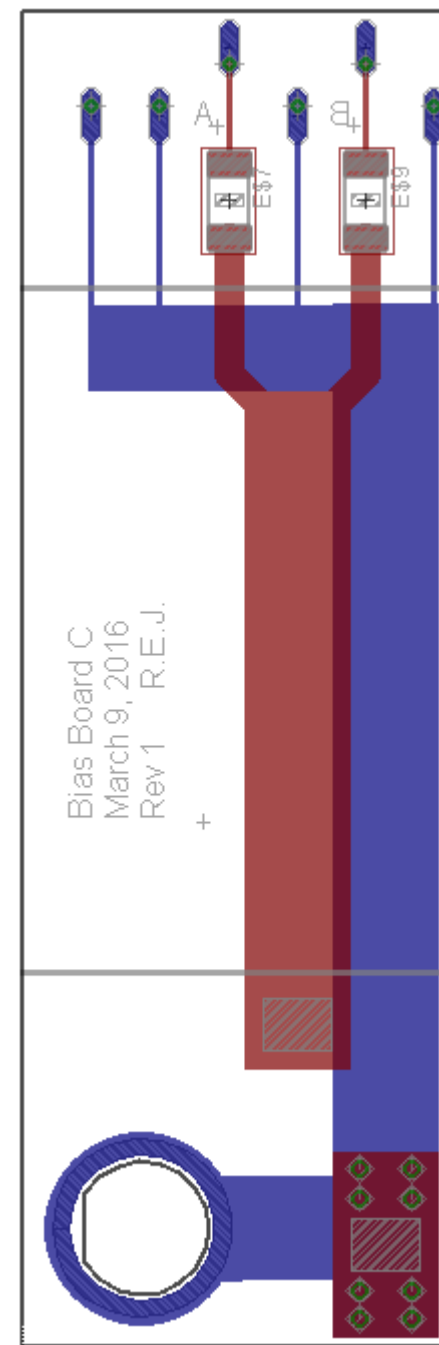
Bias Board C



Bottom

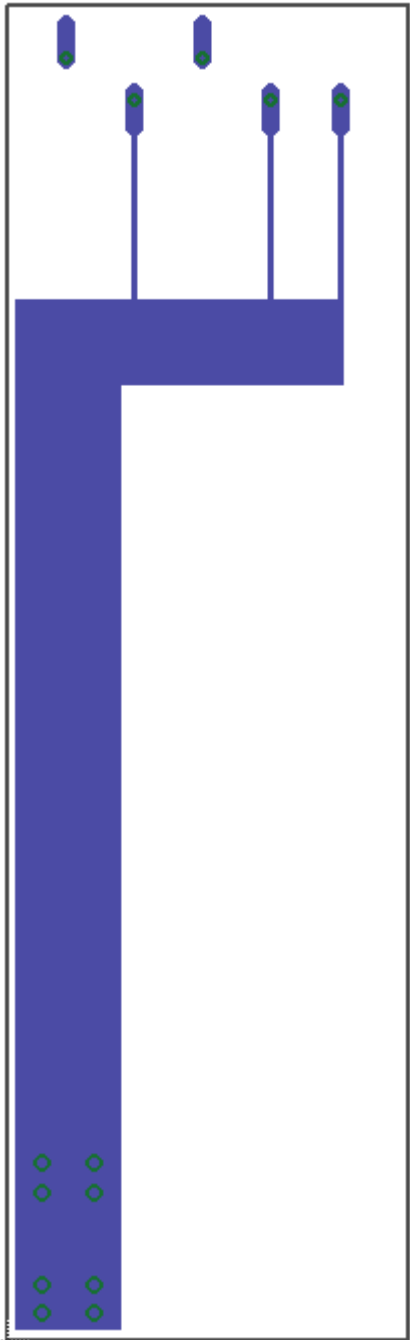


Top

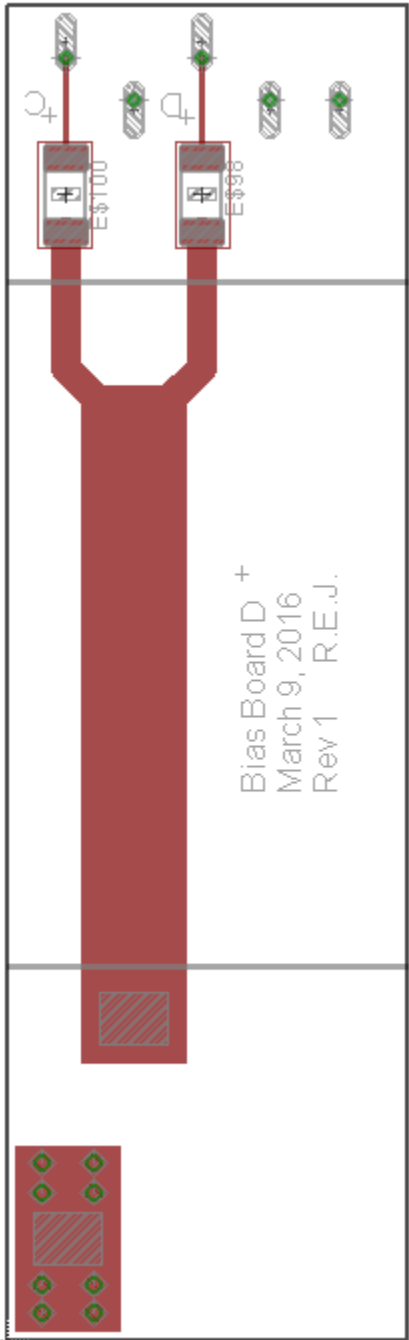


Overlay

Bias Board D

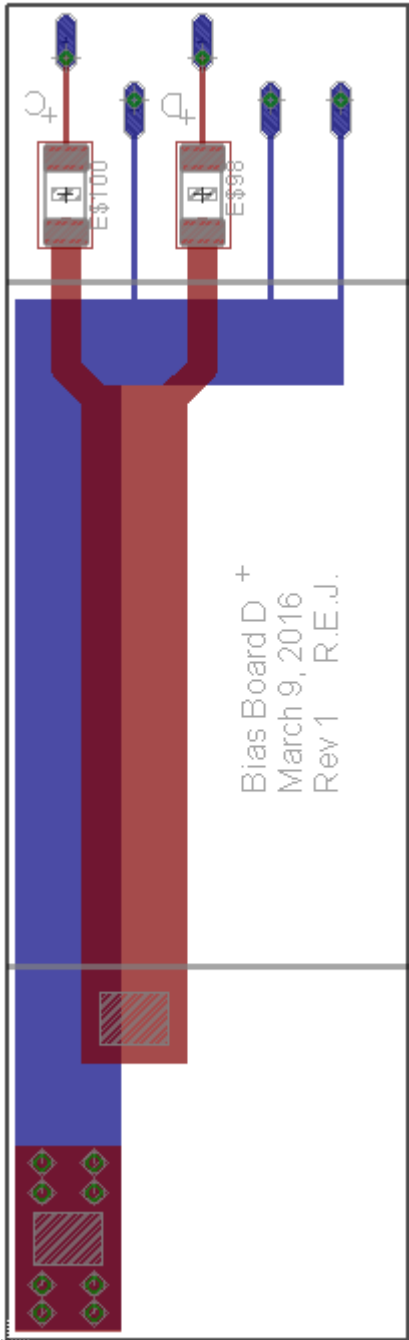


Bottom



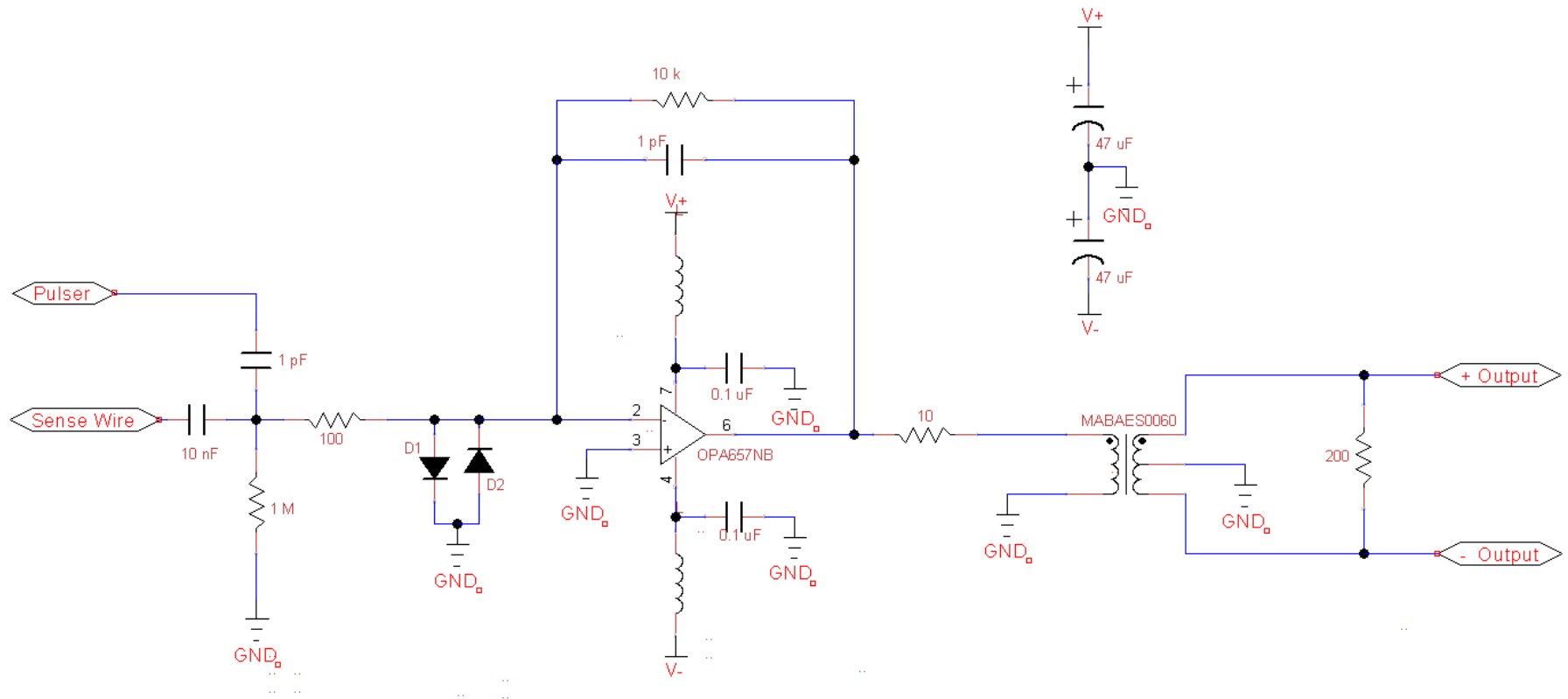
Bias Board D +
March 9, 2016
Rev 1 R.E.J.

Top



Overlay

Updated Circuit Diagram for Wire Sense Channel



Relevant Changes

