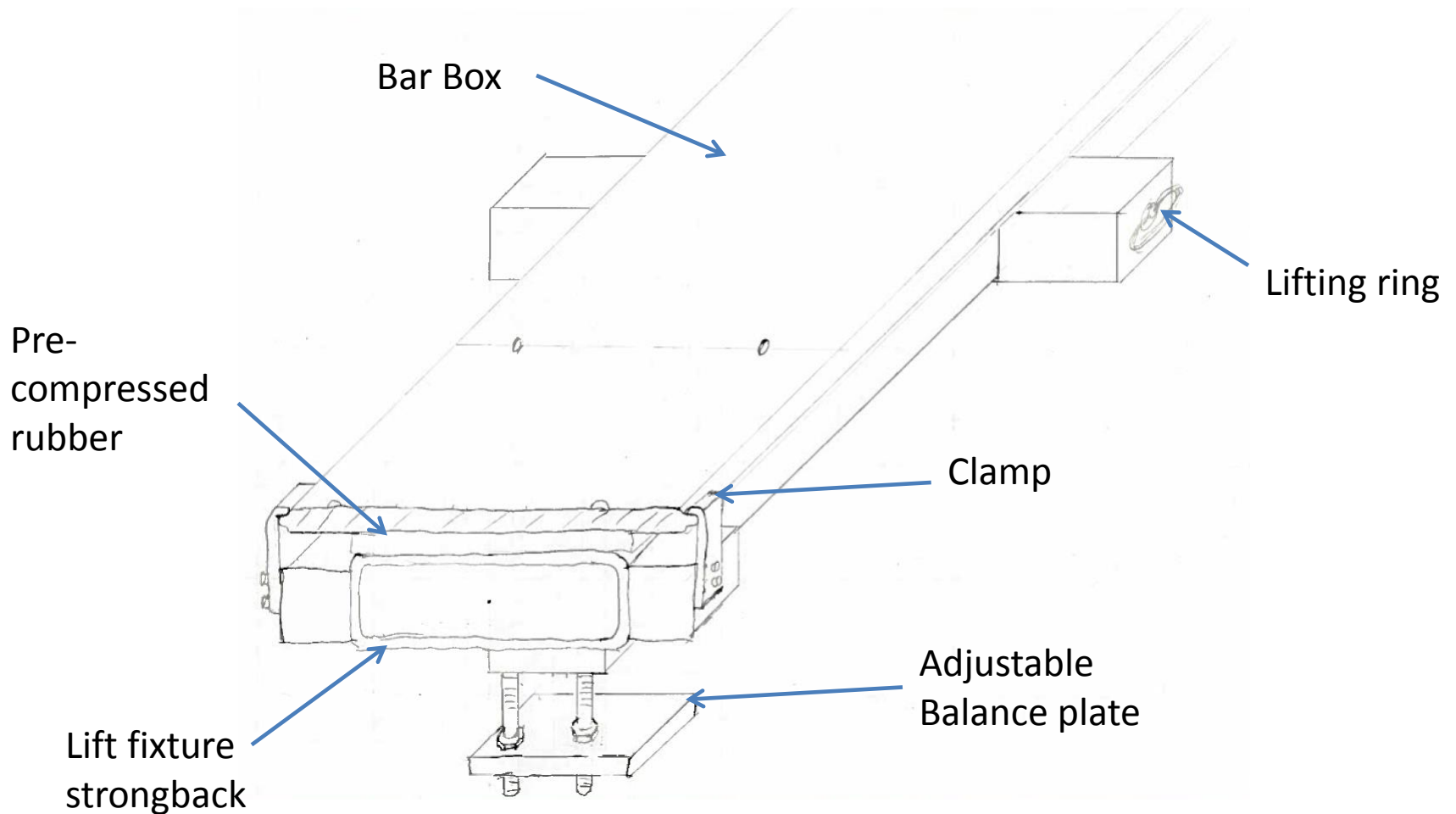
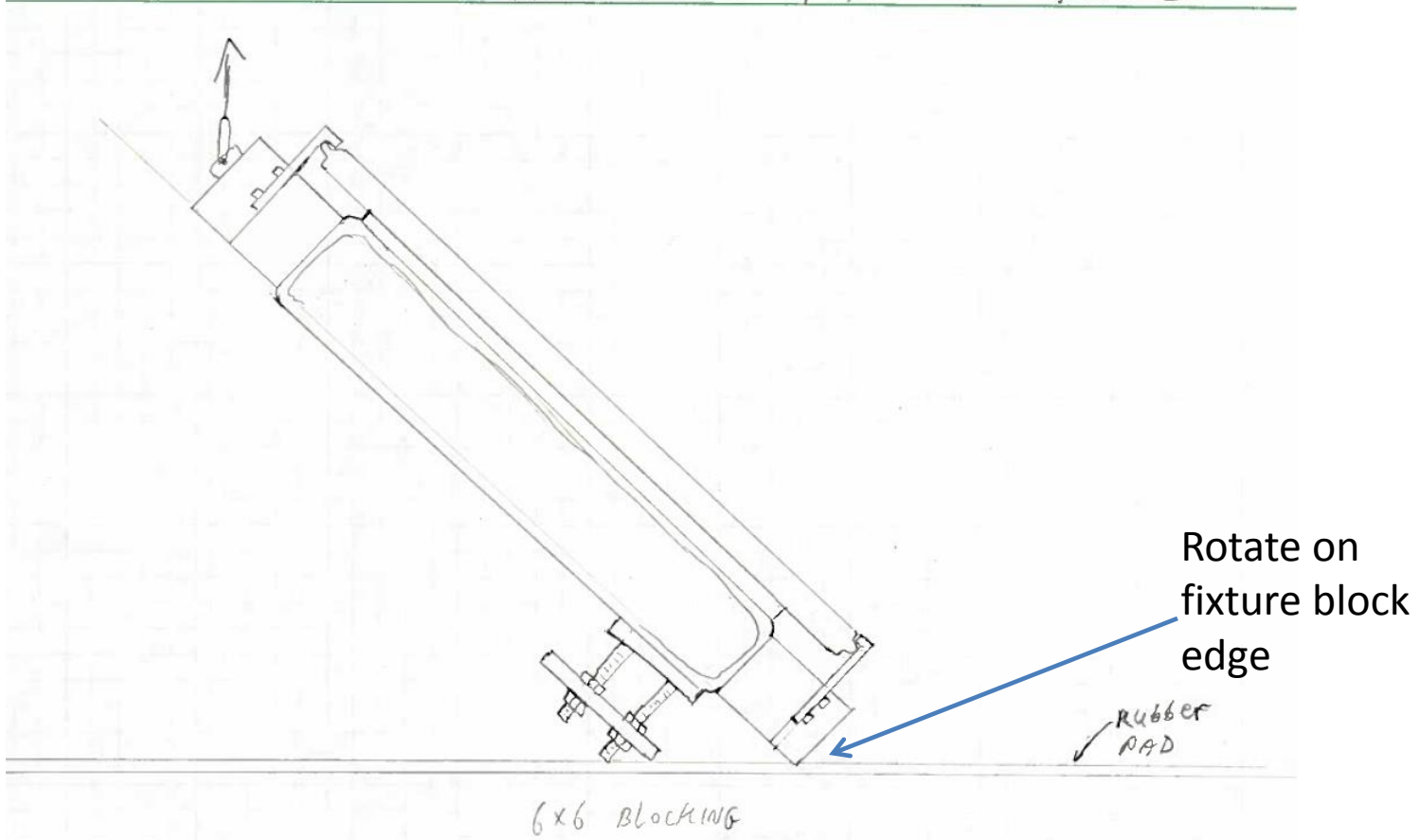


After setting on new fixture



Tilting up

LIFT BAR BOX FIXTURE TO ROTATE (2)



Moving CG so hang vertical

