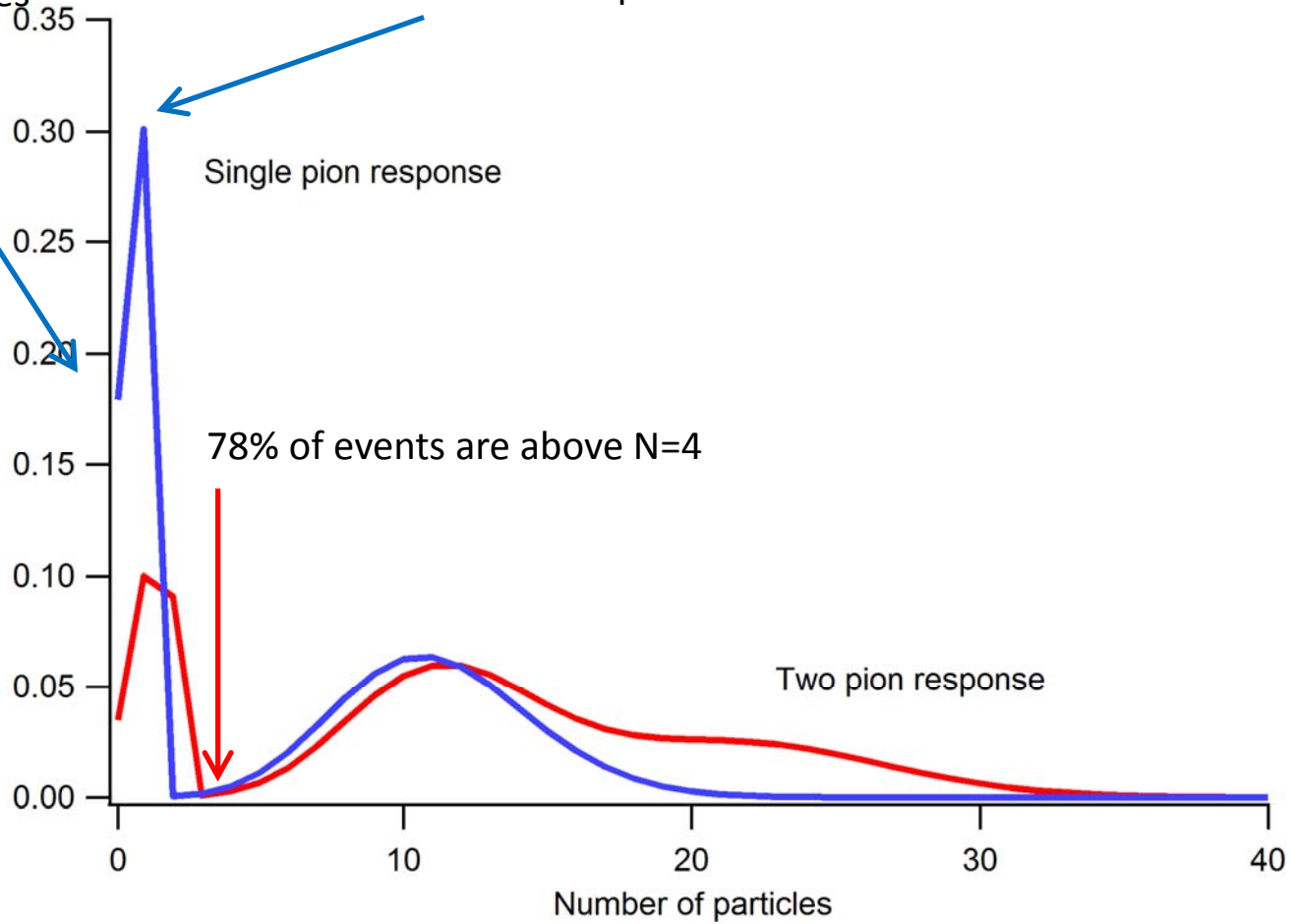


**Figure 28.23:** Mean profiles of  $\pi^+$  (mostly) induced cascades in the CDHS neutrino detector [143]. See full-color version on color pages at end of book.

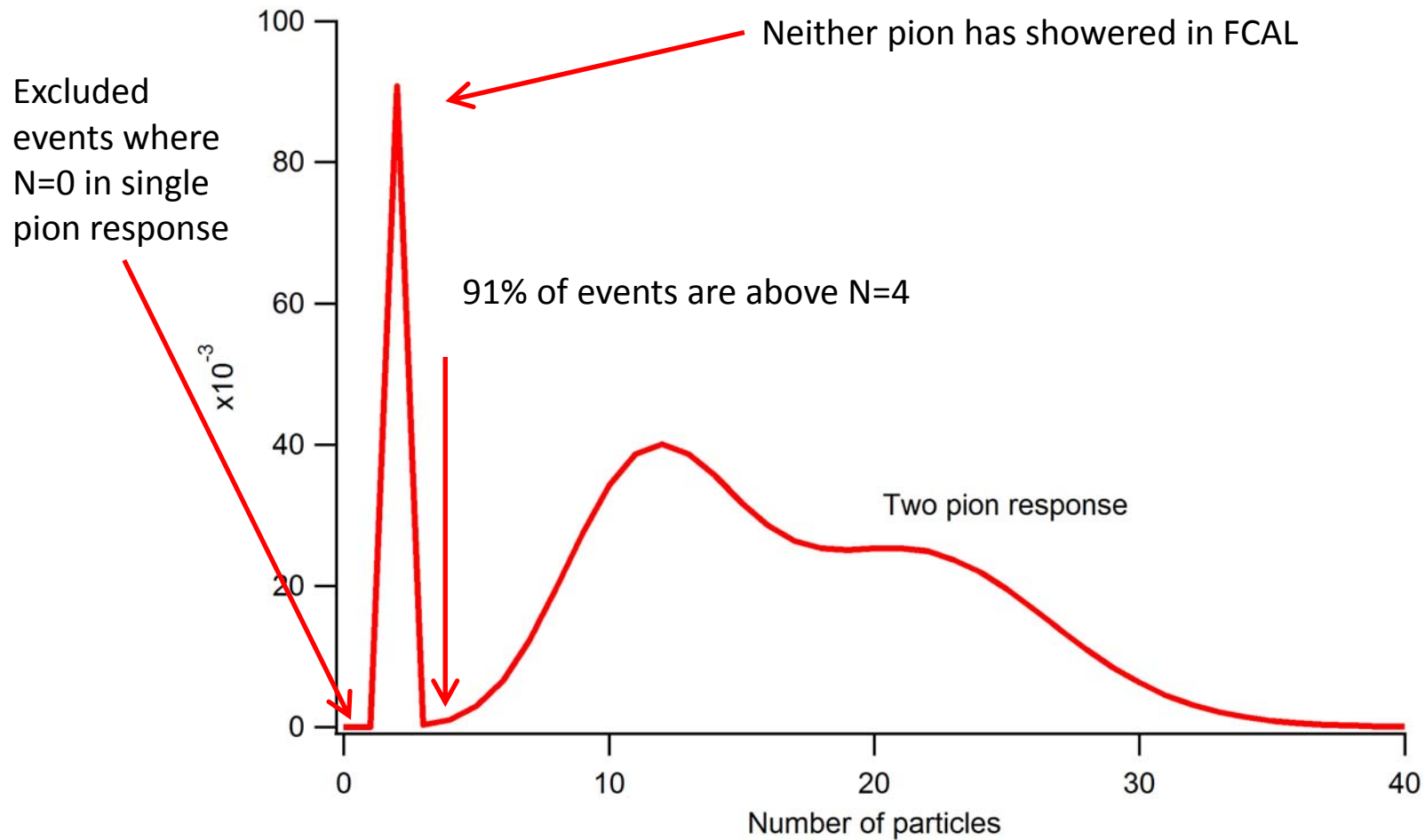
# Particle distribution after FCAL

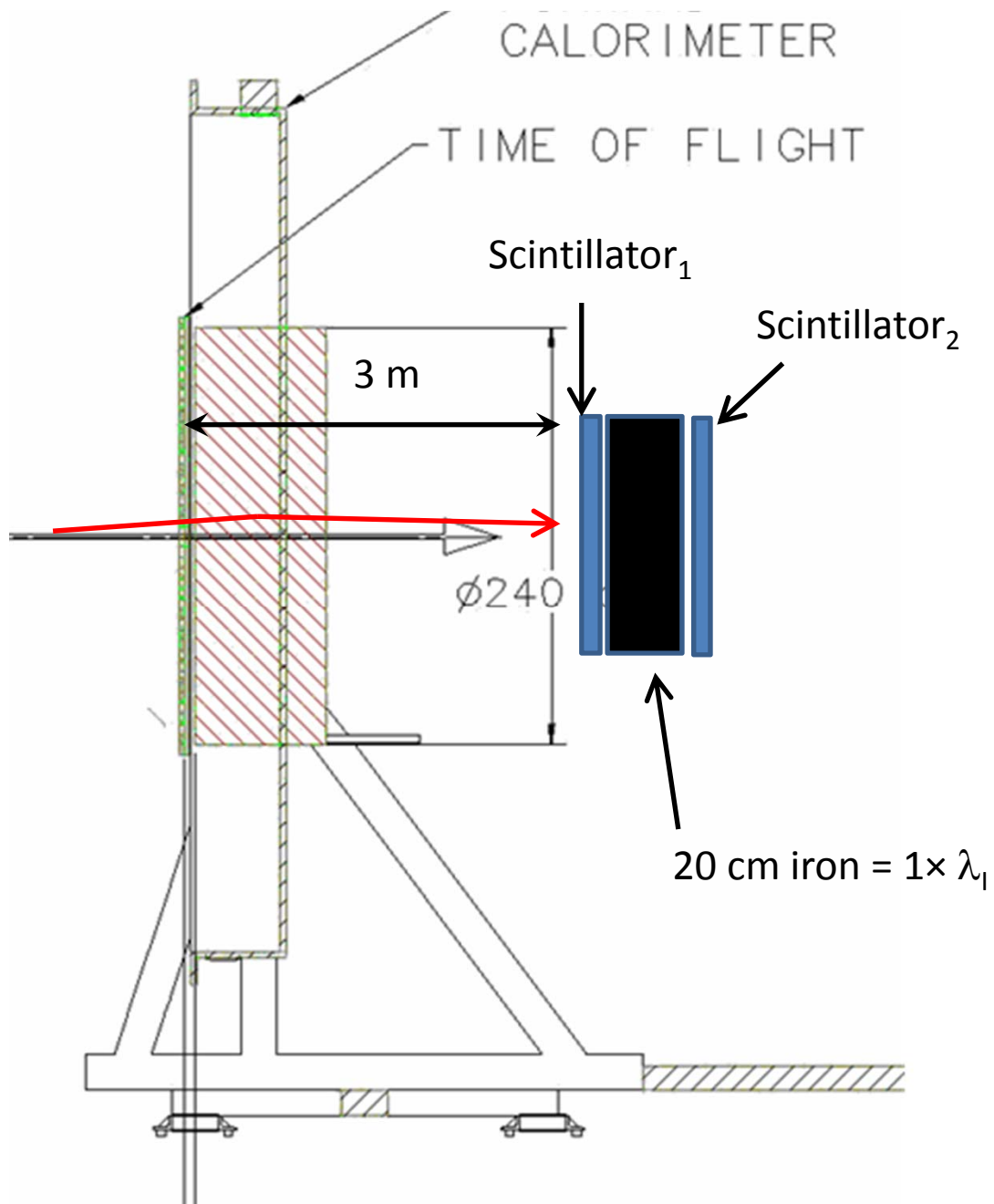
These are pions that shower in FCAL and don't produce particles beyond  $x=1.2$

These are pions that don't shower in FCAL



# Particle distribution after FCAL: events are removed that have N=0 in the single pion response





# Particle distribution in SCINT<sub>2</sub> for particles below threshold in SCINT<sub>1</sub>

