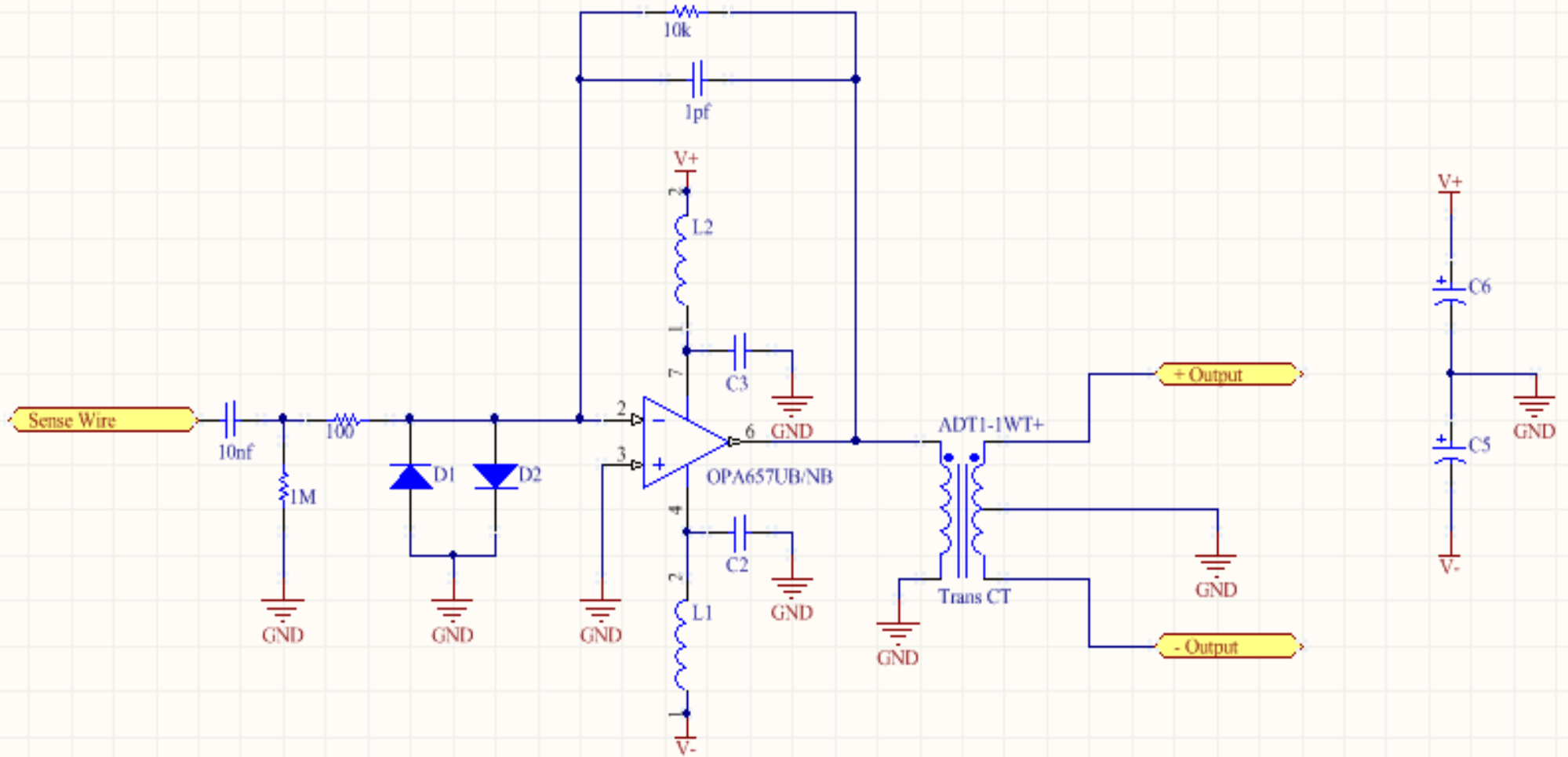


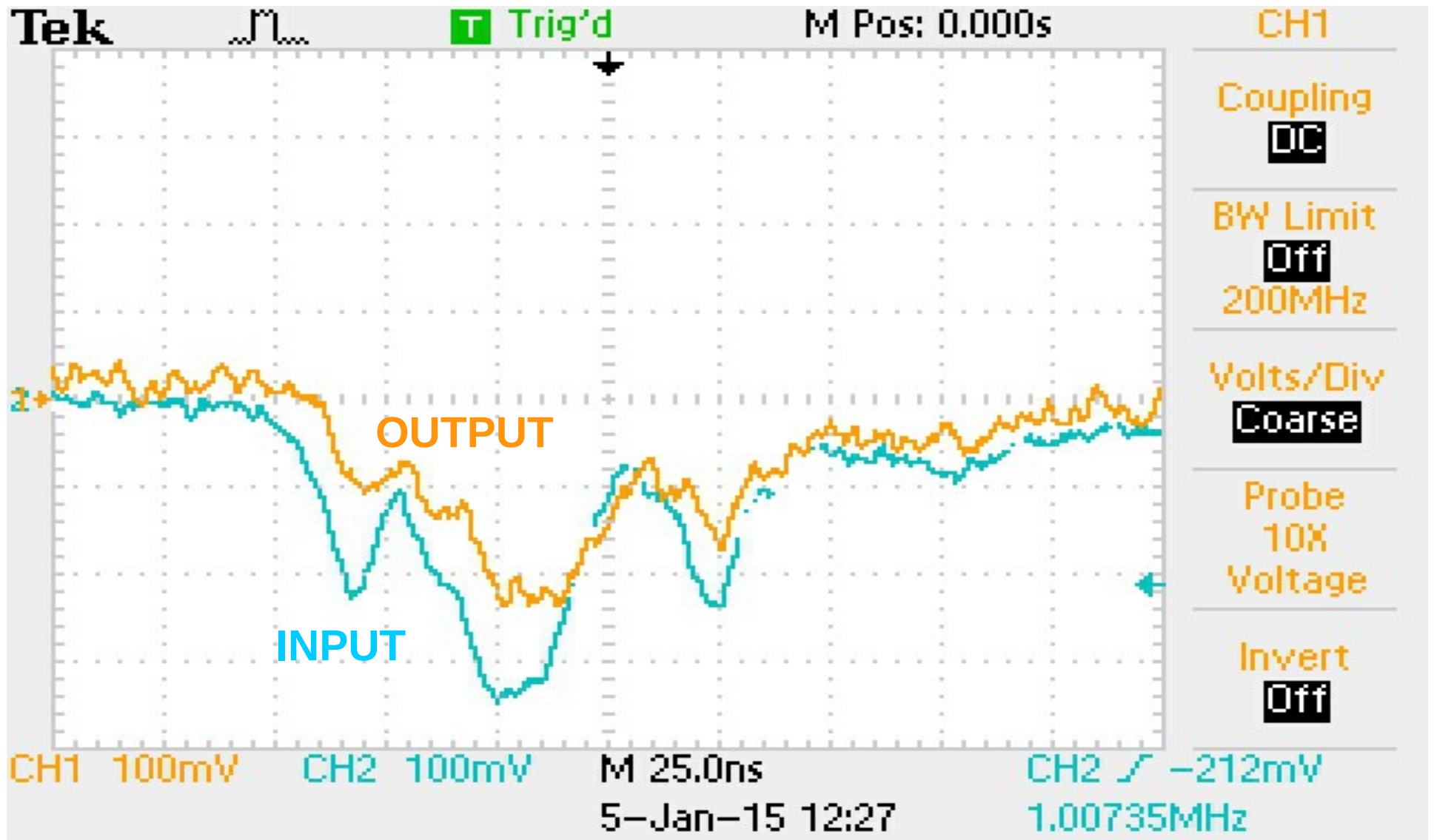
# MWPC Electronics

8 January, 2015

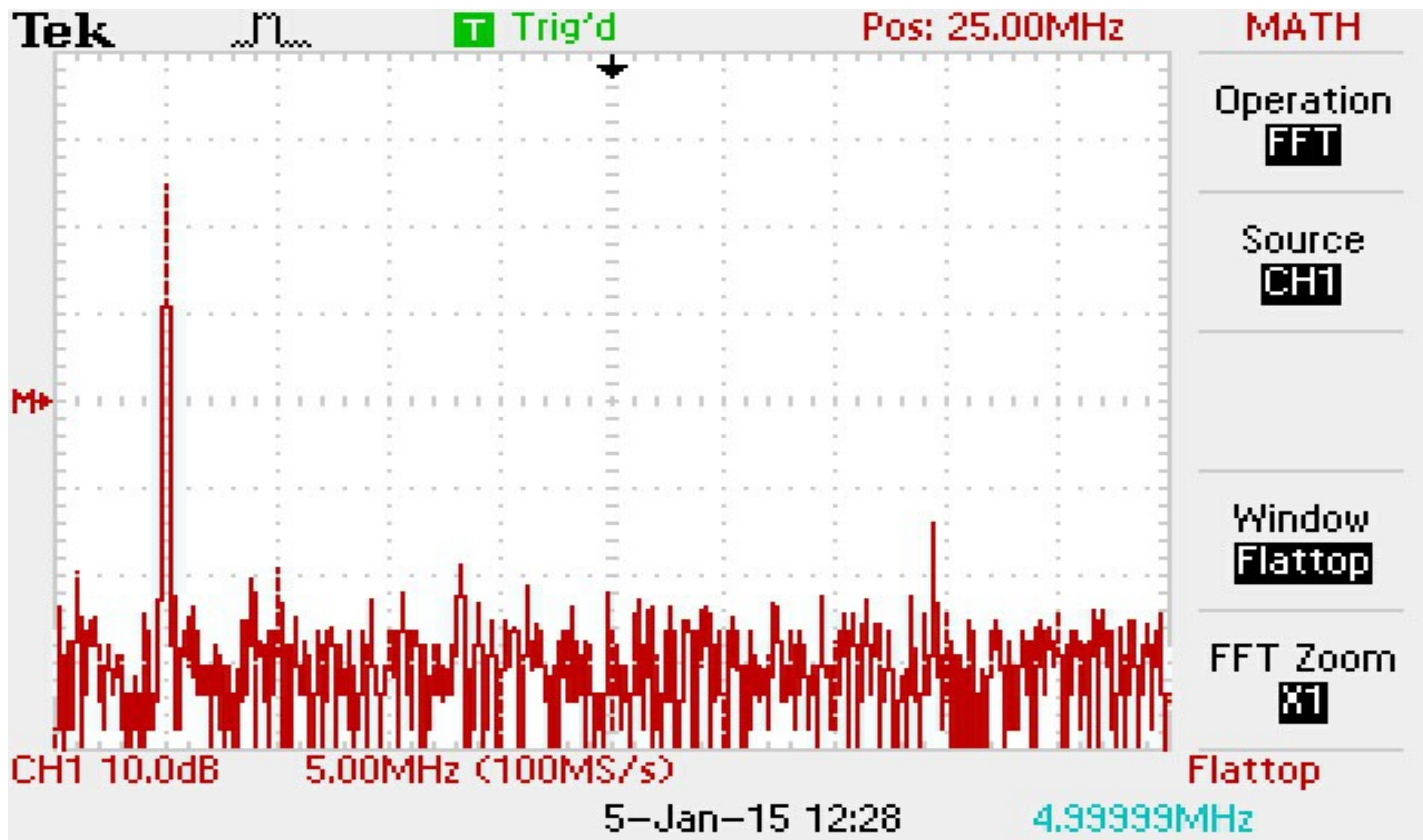
# Circuit w/ Transformer



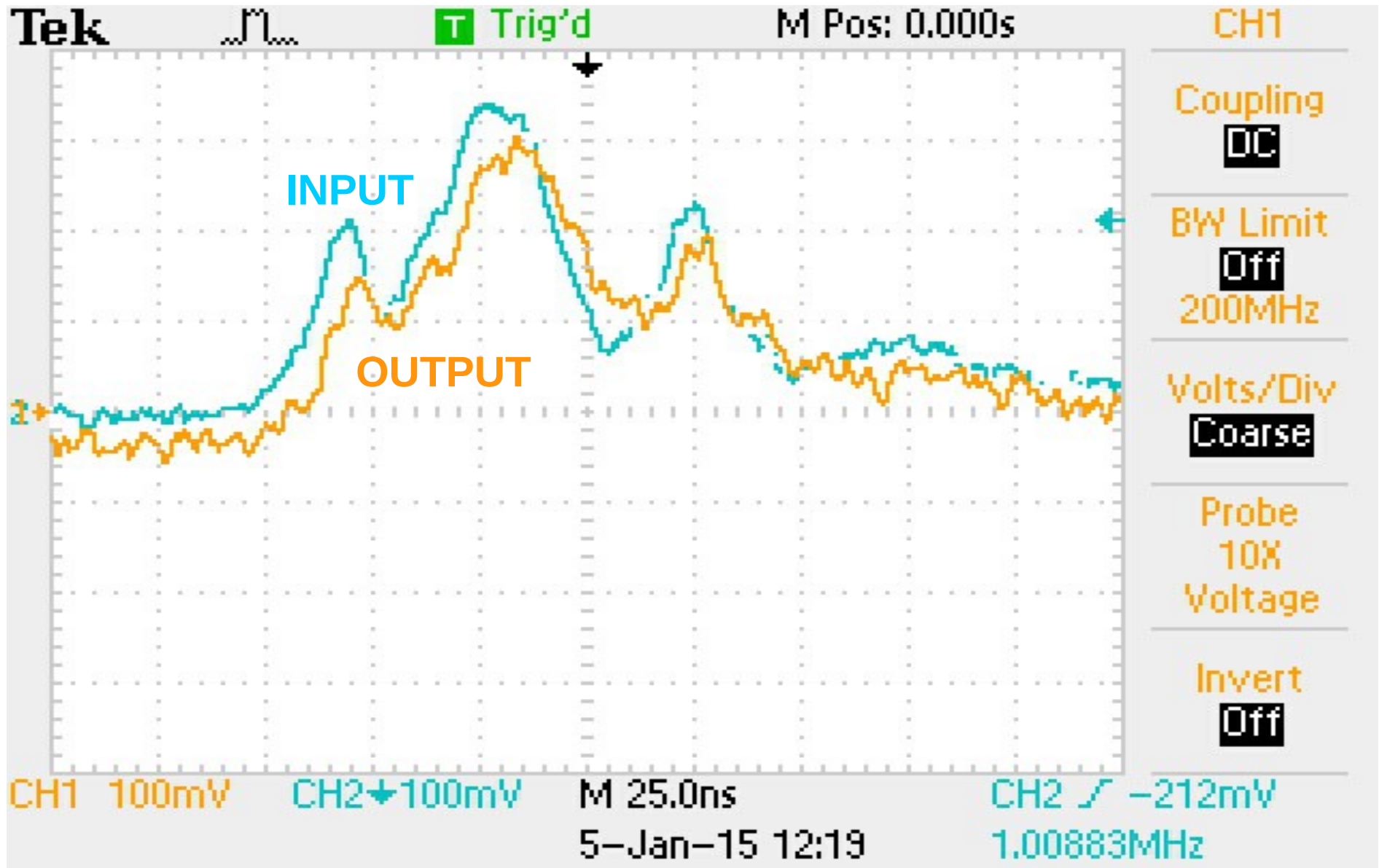
# ADT1-1WT+ Simulated Waveform



# ADT1-1WT+ FFT



# MABAES0060 Simulated Waveform



# MABAES0060 FFT

