

# UPS for Motors and Network Switches in Hall D

Hovanes Egiyan

# Motors and Switches

- Only one motor driver chassis in Hall B
  - XPS-Q8, rated at 1320W, can run on 12VAC
  - Needed to control position of TAC during power loss
- Based on David's Excel sheet, we need 7 network switches (+ solenoid switch) on UPS.
  - Each network switch is rated at 370W
    - Most of the power consumption is due PoE+ compliant equipment.
- Determine current ratings at 120VAC at different locations where UPS power is required.
  - Based on maximum current ratings of the expected equipment.

**Location Legend:**

T - Tagger Bldg.  
 A - Alcove  
 GS - Gas Shed

U - Upstream  
 D - Downstream  
 N - North  
 S - South

UN - Upstream North  
 US - Upstream South  
 DN - Downstream North  
 DS - Downstream South

⊕ - Point-of-View (Front of Rack)

**Function Legend:**

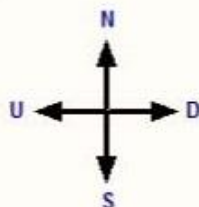
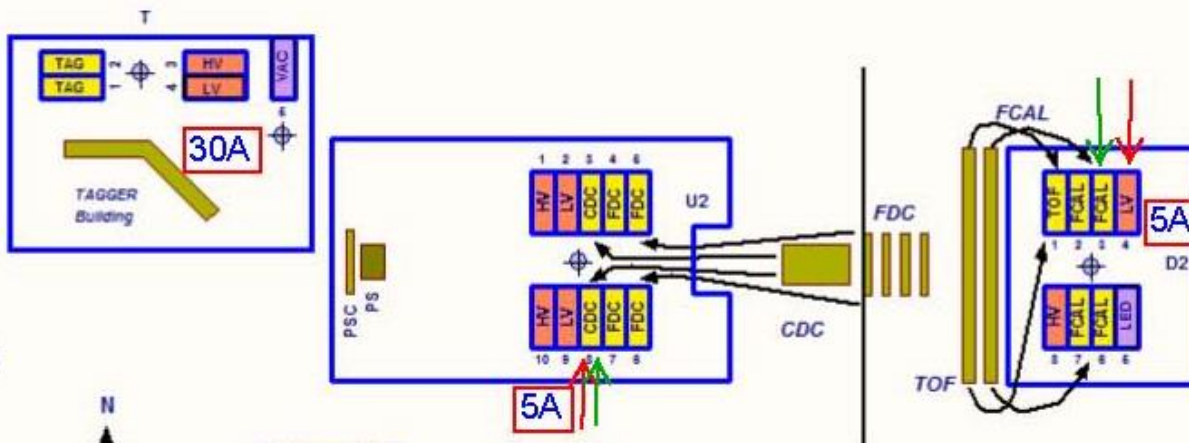
Readout

Trigger

Power

Controls

→ Cable Routing

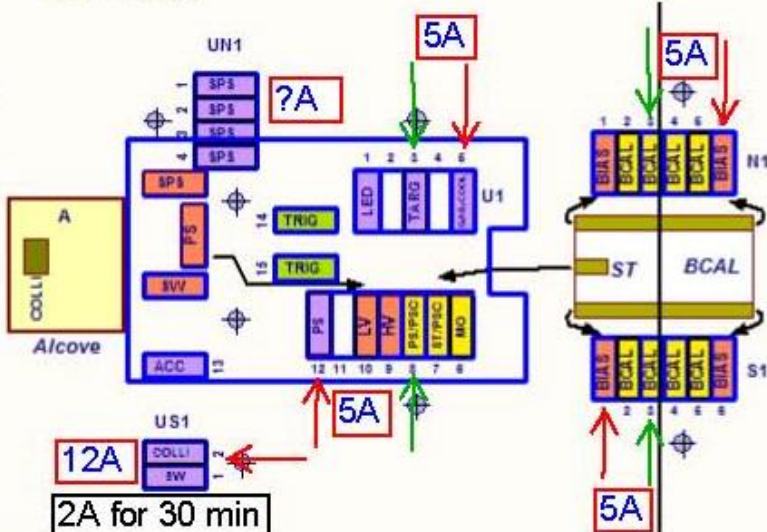
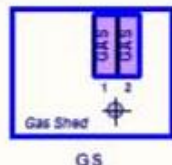


Upper Level (2)

Lower Level (1)

**Hardware Legend:**

- TAGH - Tagger Hodoscope
- TAGM - Tagger Microscope
- PS - Pair Spectrometer
- PSC - Pair Spectrometer Counters
- ST - Start Counter
- CDC - Central Drift Chamber
- FDC - Forward Drift Chamber
- TOF - Time-of-Flight
- BCAL - Barrel Calorimeter
- FCAL - Forward Calorimeter
- TRIG - Trigger
- TARG - Target
- GAS - Gas Systems for Drift Chambers
- COOL - CDC, FDC & BCAL Electronics Cooling Systems
- SPS - Solenoid Power Supply & Controls
- SW - Sweep Magnet Power Supply & Controls
- COLLI - Collimator Controls
- LED - BCAL & FCAL LED Pulsers
- BP - Beam Profiler
- MO - Master Oscillator



→ Controls equipment location

→ Switch location

<p><b>COMPONENTS IDENTIFICATION</b></p> <p>The information on this document and the associated labels are the intellectual property of Jefferson Lab.</p>		<p><b>Jefferson Lab</b></p>	
<p>Name: _____</p> <p>ID: _____</p> <p>Location: _____</p>	<p>Name: _____</p> <p>ID: _____</p> <p>Location: _____</p>	<p>This: _____</p> <p>WALL: _____</p> <p>Room: _____</p>	<p>This: _____</p> <p>WALL: _____</p> <p>Room: _____</p>
<p>Approved: _____</p> <p>Checked: _____</p>	<p>Date: _____</p> <p>Time: _____</p>	<p>Page: _____</p> <p>Total: _____</p>	<p>Page: _____</p> <p>Total: _____</p>