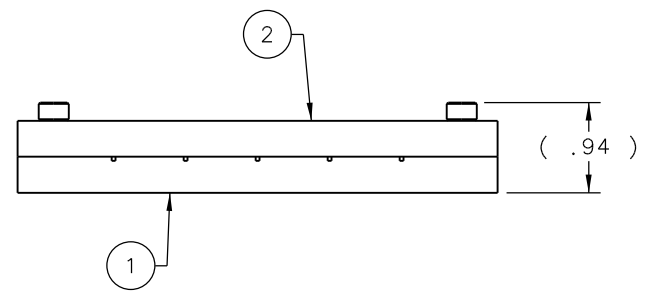
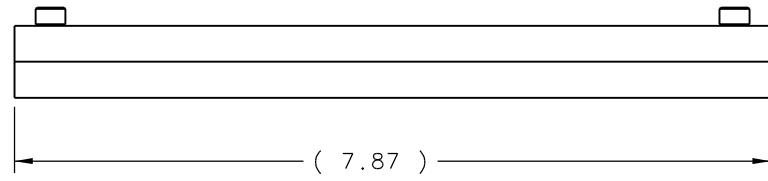
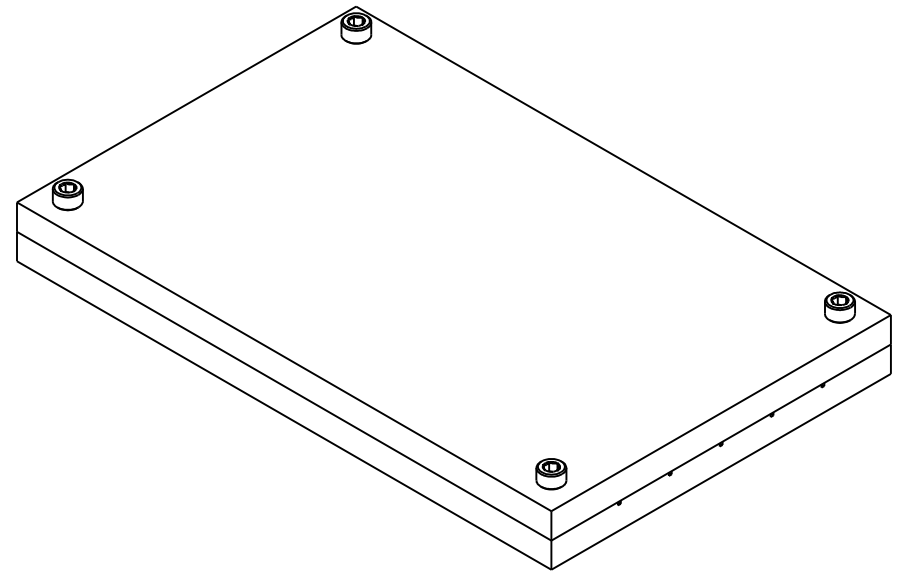
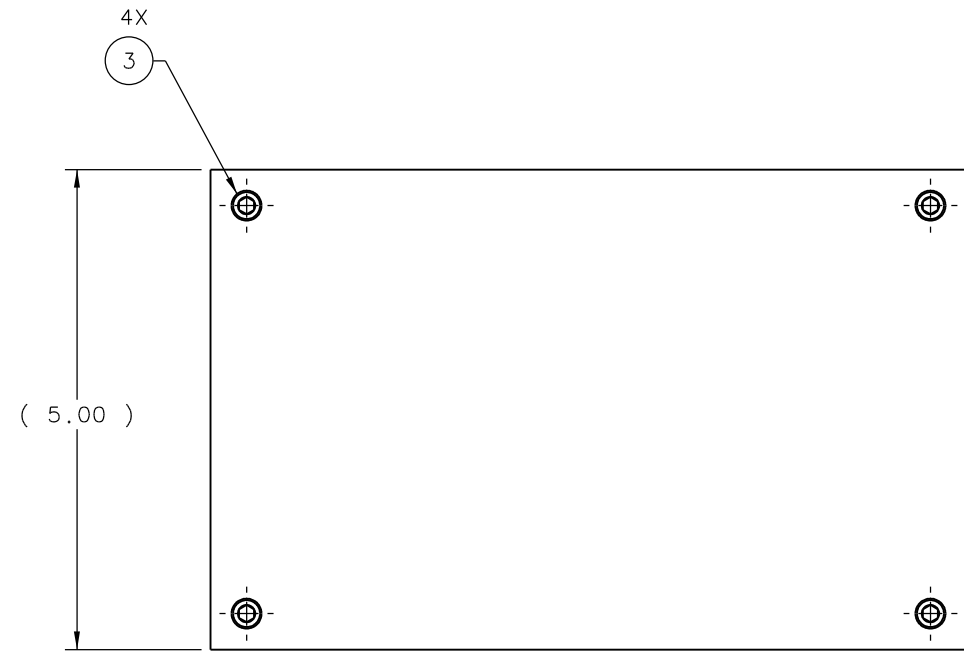


REVISION HISTORY				
ZONE	REV	DESCRIPTION	DATE	APPROVED



NOTES:

- SUGGESTED SOURCES OR JLAB APPROVED ALTERNATE:
 MCMaster-CARR
 (630) 833-0300
 www.mcmaster.com

QTY REQD	ITEM NO.	PART OR IDENTIFYING NO.	NOMENCLATURE OR DESCRIPTION	MATERIAL SPECIFICATION	NOTES
4	3	MCMaster-CARR #90128A945	SHCS, #10-32 X .75 LG	STEEL	1
1	2	D00000-15-00-2048	WLS 5 GROOVE STRAIGHTENER TOP		
1	1	D00000-15-00-2047	WLS 5 GROOVE STRAIGHTENER BASE		

DOCUMENT CONTROL STAMP

MATERIAL
SEE PARTS LIST

FINISH
MACHINED SURFACES
DEBURR & BREAK ALL SHARP EDGES

DO NOT SCALE DRAWING

DIM & TOL PER ASME Y14.5
UNLESS OTHERWISE SPECIFIED
DIMENSIONS ARE IN INCHES
TOLERANCES ARE:
FRACTIONS DECIMAL ANGLES
± N/A .X ± .1 .XX ± .01 .XXX ± .005

THIRD ANGLE PROJECTION

TRACKING NO.
N/A

APPROVALS

CHECKED

APPROVED

APPROVED

United States Department of Energy

Jefferson Lab
Thomas Jefferson National Accelerator Facility

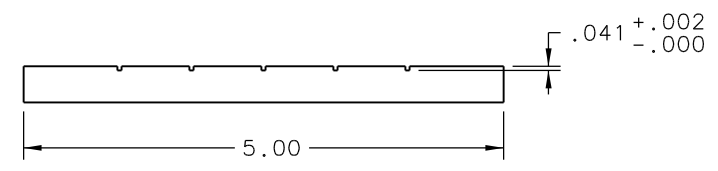
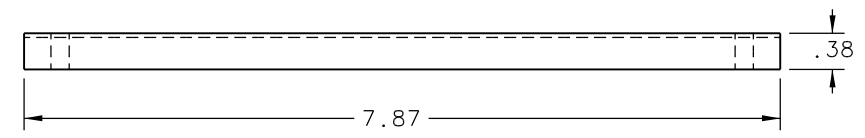
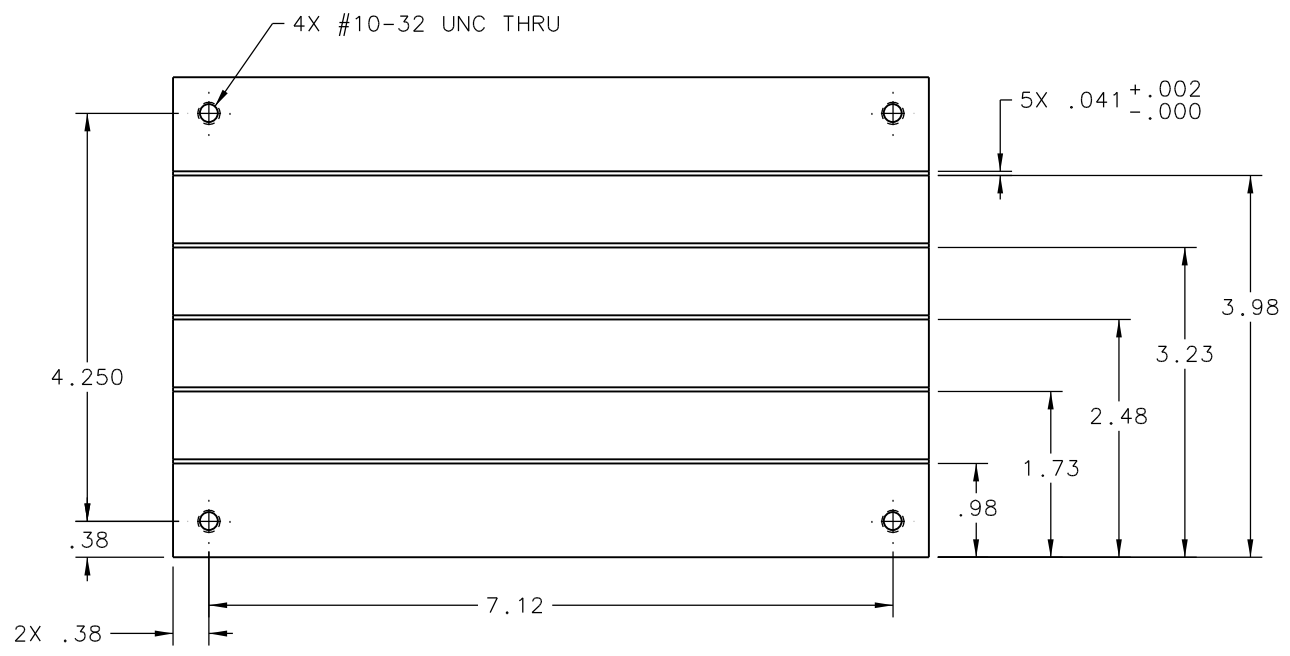
Newport News Virginia

HALL D - GLUEX SPECTROMETER PAIR SPECTROMETER WLS 5 GROOVE STRAIGHTENING ASSY

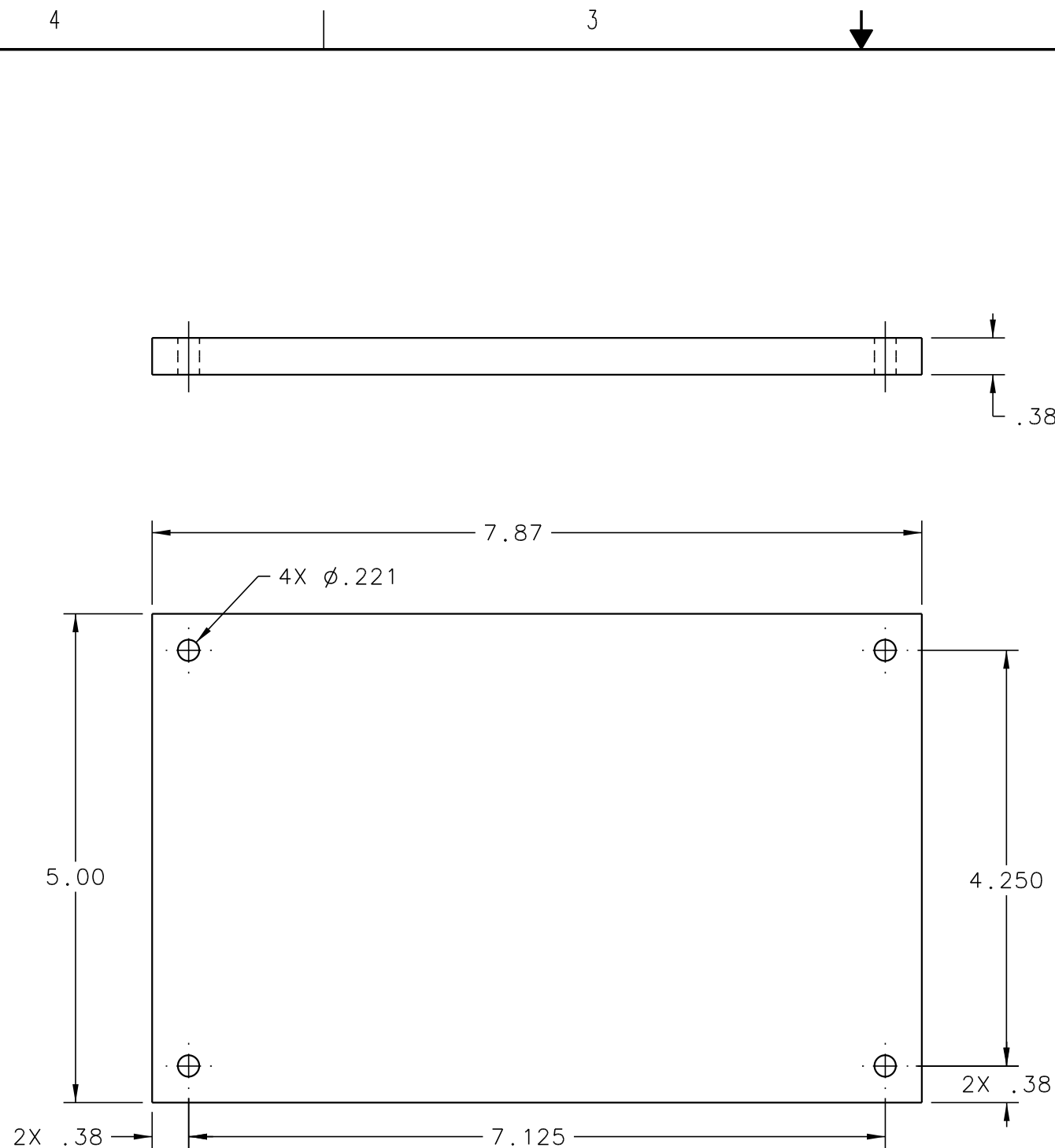
SIZE DWG. NO. **D** D00000-15-00-1012 REV. -

SCALE 1:1 USED ON ASSY NO. SHEET 1 OF 1


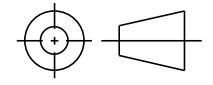
REVISION HISTORY				
ZONE	REV	DESCRIPTION	DATE	APPROVED



DOCUMENT CONTROL STAMP	DIM & TOL PER ASME Y14.5 UNLESS OTHERWISE SPECIFIED DIMENSIONS ARE IN INCHES TOLERANCES ARE: FRACTIONS DECIMAL ANGLES ± N/A .X ± .1 ± .50° .XX ± .01 .XXX ± .005	TRACKING NO. N/A	United States Department of Energy	Jefferson Lab <small>Thomas Jefferson National Accelerator Facility</small>	Newport News Virginia
MATERIAL ALUMINUM	THIRD ANGLE PROJECTION	APPROVALS DRAWN C L HUTTON	DATE 22JAN13	HALL D - GLUEX SPECTROMETER PAIR SPECTROMETER WLS 5 GROOVE STRAIGHTENER BASE	
FINISH MACHINED SURFACES DEBURR & BREAK ALL SHARP EDGES	125 UNLESS OTHERWISE NOTED	CHECKED	APPROVED	SIZE D	DWG. NO. D00000-15-00-2047
DO NOT SCALE DRAWING		APPROVED	SCALE 1 : 1	USED ON ASSY NO. D00000-15-00-1012	SHEET 1 OF 1



REVISION HISTORY				
ZONE	REV	DESCRIPTION	DATE	APPROVED

DOCUMENT CONTROL STAMP	DIM & TOL PER ASME Y14.5 . UNLESS OTHERWISE SPECIFIED DIMENSIONS ARE IN INCHES TOLERANCES ARE: FRACTIONS DECIMAL ANGLES ± N/A .X ± .1 ± .50° .XX ± .01 .XXX ± .005	TRACKING NO. N/A		United States Department of Energy  Thomas Jefferson National Accelerator Facility Newport News Virginia
		APPROVALS	DATE	
MATERIAL ALUMINUM	THIRD ANGLE PROJECTION	DRAWN C L HUTTON	22JAN13	SIZE DWG. NO. C D00000-15-00-2048
FINISH MACHINED SURFACES UNLESS OTHERWISE NOTED DEBURR & BREAK ALL SHARP EDGES		CHECKED		
DO NOT SCALE DRAWING		APPROVED		SCALE 1:1 USED ON ASSY NO. D00000-15-00-1012 SHEET 1 OF 1