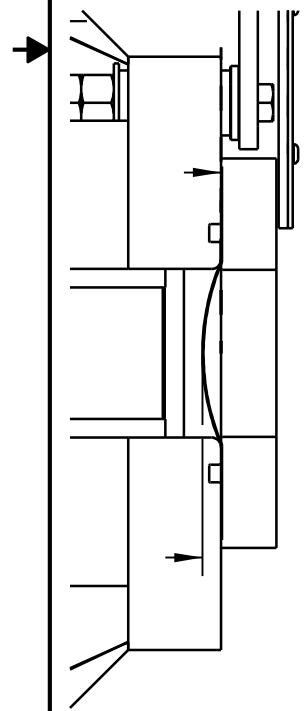
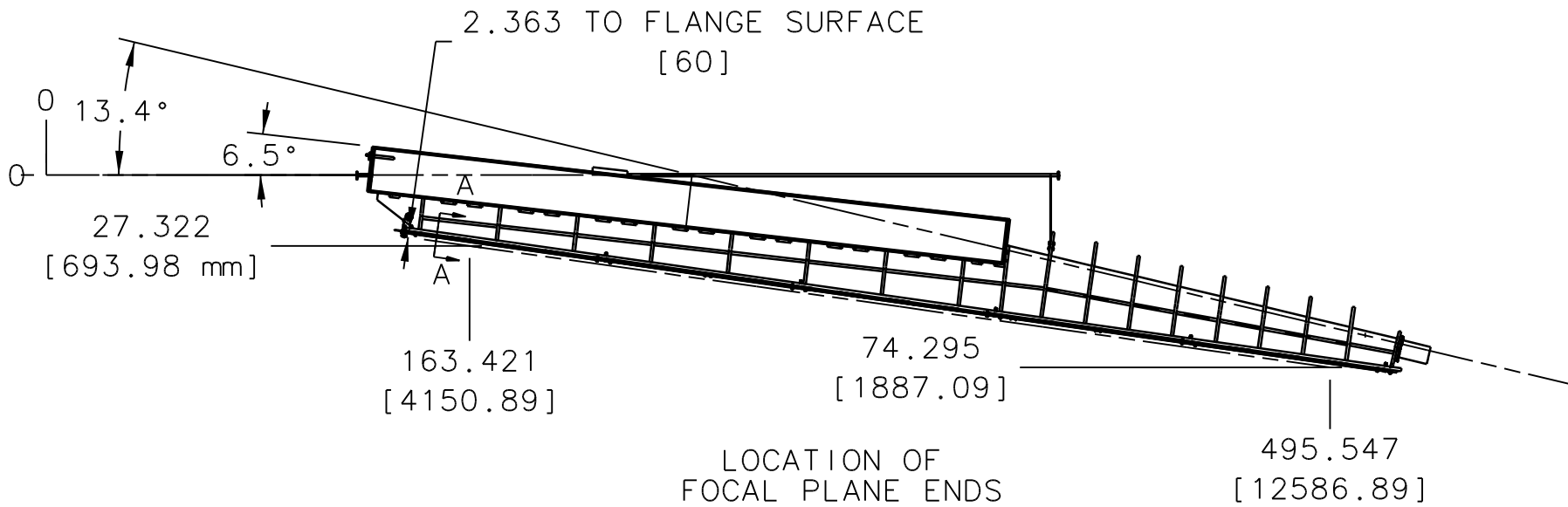


REVISION HISTORY	
REV	DESCRIPTION


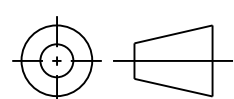


2.362  
[60.0]

HODOSCOPE

2.612 TO WINDOW  
[66.3]

SECTION VIEW  
A-A

DOCUMENT CONTROL STAMP	DIM & TOL PER ASME Y14.5 UNLESS OTHERWISE SPECIFIED DIMENSIONS ARE IN INCHES TOLERANCES ARE: FRACTIONS DECIMAL ANGLES ±N/A .X ±.1 ±.50° .XX ±.01 .XXX ±.005	TRACKING NO. N/A		United States Department of Energy 
		APPROVALS	DATE	
MATERIAL	THIRD ANGLE PROJECTION	DRAWN WCRAHEN	07DEC2011	SIZE DWG. NO.
FINISH MACHINED SURFACES DEBURR & BREAK ALL SHARP EDGES		CHECKED		B D00000-00
		APPROVED		
DO NOT SCALE DRAWING		APPROVED		