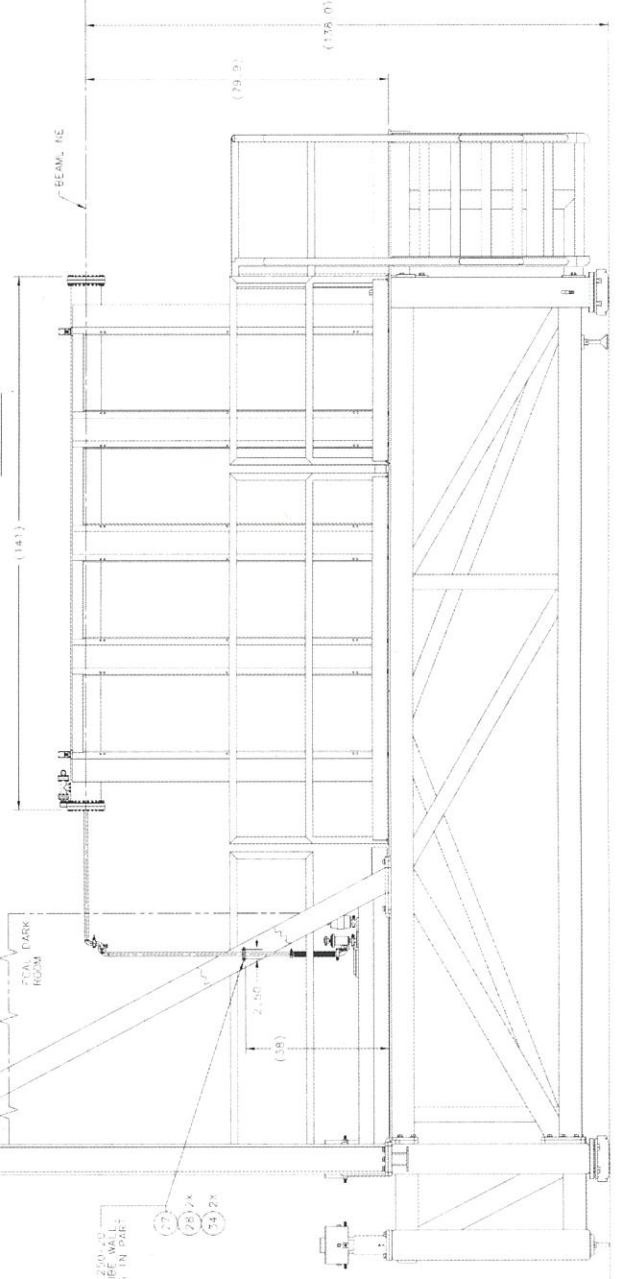
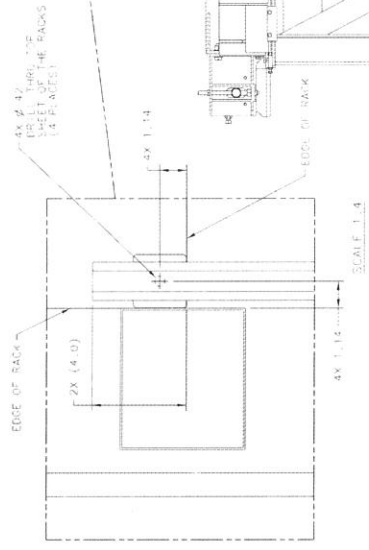
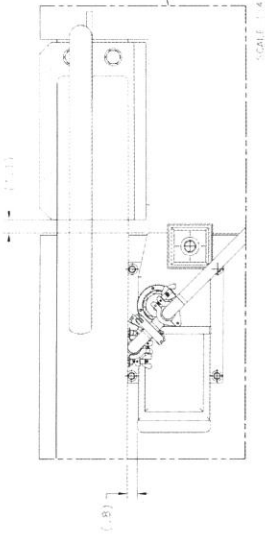


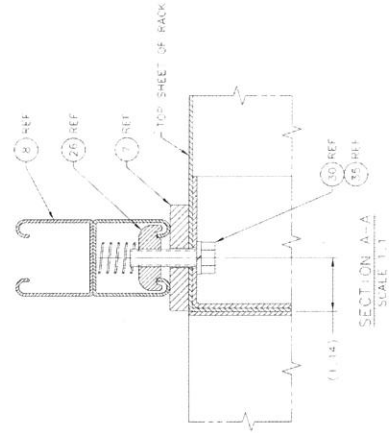
TOP VIEW



LEFT VIEW



DRILL AND TAP 27 270-01 HOLES THROUGH THE WALL. USE EXISTING HOLES IN PART 27 AS A TEMPLATE.



SECTION A-A
SCALE 1:1