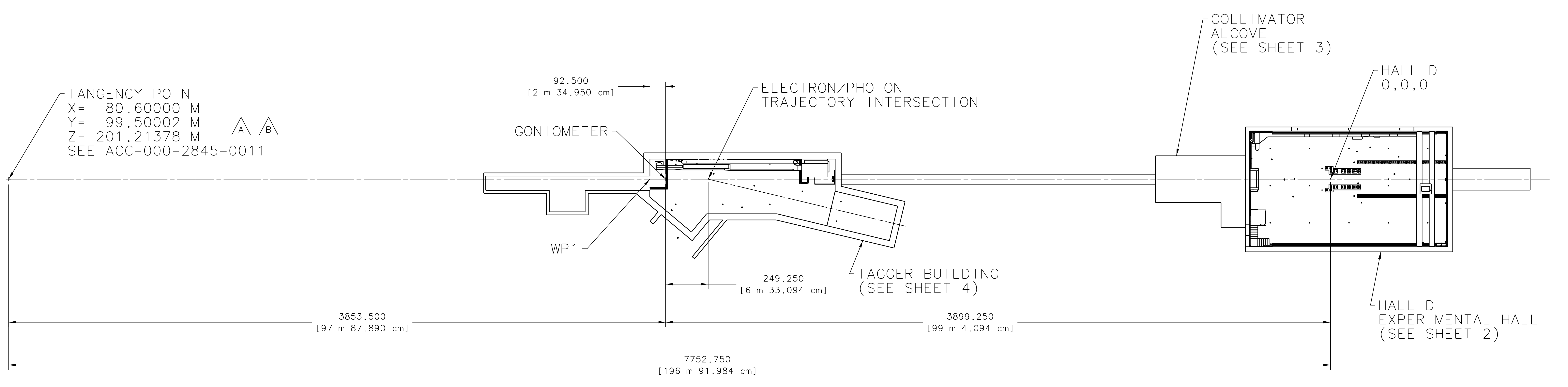
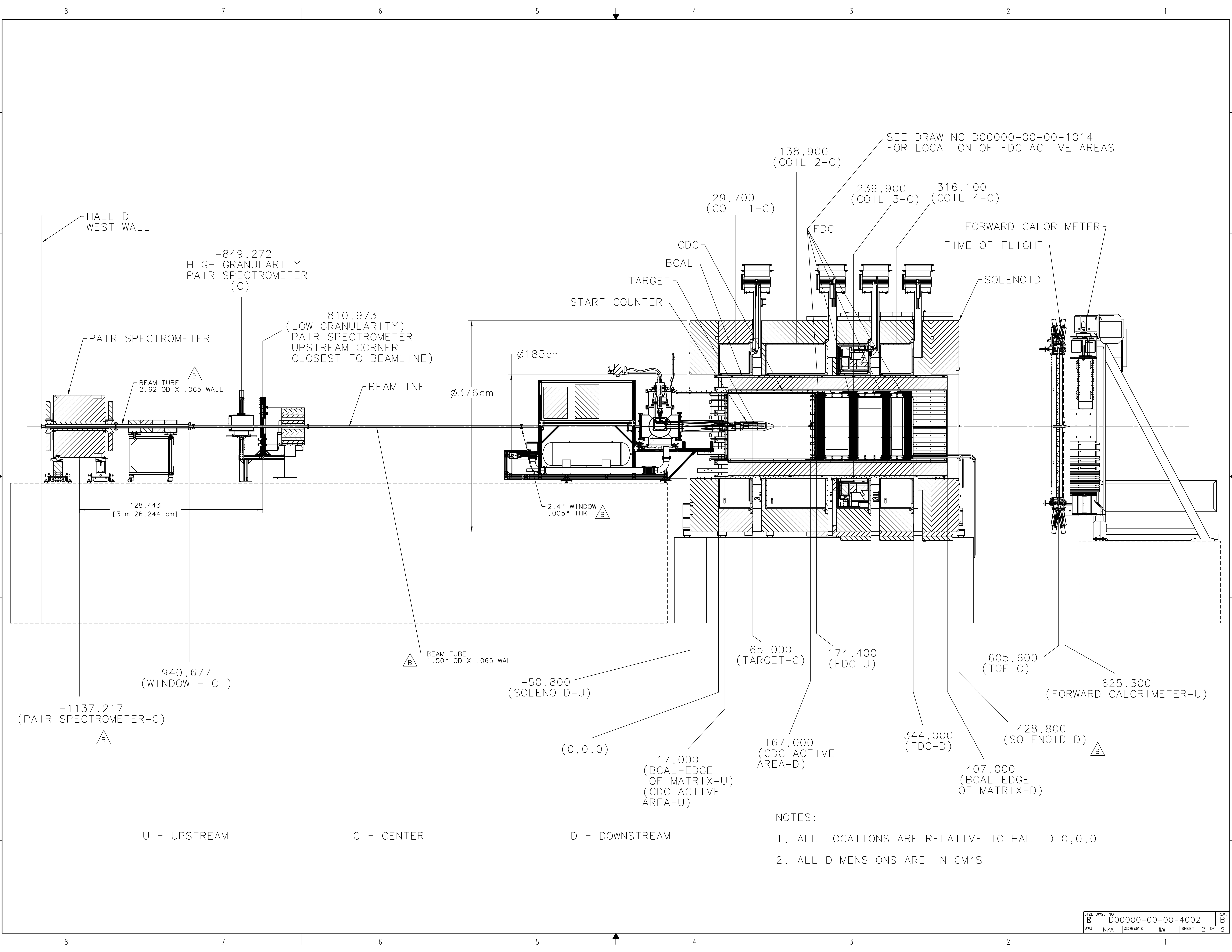


REVISION HISTORY				
ZONE	REV	DESCRIPTION	DATE	APPROVED
3B 7E SH15	A	ADDED SHEET 5. ADDED DIMENSIONS TO TANGENCY POINT. ADDED NOTE 2. RG 18JUN14		C.HUTTON T.WHITLATCH
P1 P2 P3 P4 P5	B	P1 - TANGENCY POINTS DID READ Y=201.2M & Z=99.50002. ADDED NOTE 3. ALL DIMS TO 3 PLACES. P2 - PAIR SPEC LOCATION WAS -1141.3. SOLENOID-D CALLOUT WAS 443.9. ADDED BEAM TUBE WALL THK & WINDOW INFO. ALL DIMS TO 3 PLACES. HIGH & LOW GRANULARITY DIMS CHANGED TO REFLECT NEW CONFIG. P3 - ALL DIMS TO 3 PLACES. ADDED BEAM TUBE WALL THK & WINDOW INFO. ADDED PROFILER. P4 - ALL DIMS TO 3 PLACES. ADDED TUBE WALL THK. ADDED GIRDER A0001 & A0003 CALLOUTS. ADDED 10" PIPE CALLOUT. ADDED GONIOMETER DWG#. ADDED DIM'S. P5 - ADDED VIEW B. ADDED DIM'S.		C.HUTTON T.WHITLATCH



- NOTES:
- ALL LOCATIONS ARE FROM HALL D 0,0,0 AND ARE IN CM'S.
 - FOR INFORMATION ON HALL D TO ACCELERATOR POSITIONS SEE www.jlab.org/MEgroup/12GeVacc.html
 - HALL 0,0,0 POINT IN ACCELERATOR FRAME =
 X = 80.6000 M
 Y = 104.7000 M
 Z = 398.1336 M

EACH SHEET OF MULTI-SHEET DRAWINGS SHALL ALWAYS HAVE THE SAME REVISION LEVEL.			
DOCUMENT CONTROL STAMP	DIM & TOL PER ASME Y14.5, UNLESS OTHERWISE SPECIFIED DIMENSIONS ARE IN INCHES. TOLERANCES ARE: FRACTIONS: ±.005, ±.010, ±.015, ±.030, ±.050 DECIMAL: .XX ±.01, .XXX ±.005 ANGLES: ±.1, ±.50	TRACKING NO. N/A	United States Department of Energy Jefferson Lab Thomas Jefferson National Accelerator Facility Newport News, Virginia
MATERIAL	THIRD ANGLE PROJECTION	APPROVALS	HALL D-GLUEX INSTALLATION EXPERIMENTAL HALL D DETECTOR LOCATION LAYOUT
FINISH: MACHINED SURFACES DEBURR & BREAK ALL SHARP EDGES	UNLESS OTHERWISE NOTED	DRAWN: D.SPELL CHECKED: T.WHITLATCH	DATE: 11MAR14
DO NOT SCALE DRAWING		APPROVED: E. SMITH APPROVED: T.WHITLATCH	SIZE: DWG. NO. D00000-00-00-4002 SCALE: N/A SHEET 1 OF 5



U = UPSTREAM

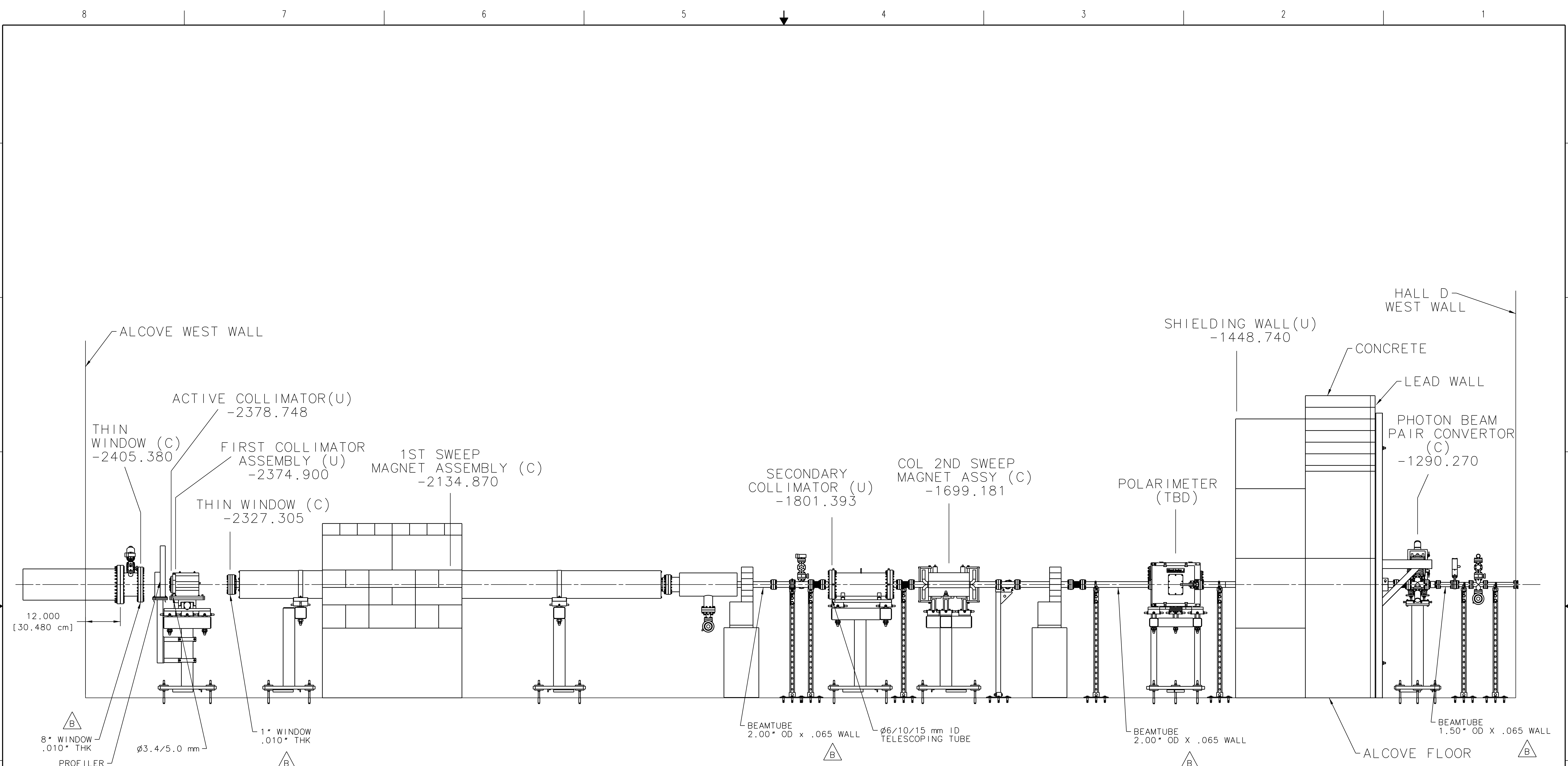
C = CENTER

D = DOWNSTREAM

NOTES:

1. ALL LOCATIONS ARE RELATIVE TO HALL D 0,0,0
2. ALL DIMENSIONS ARE IN CM'S

SIZE	DWG. NO.	REV.
E	D00000-00-00-4002	B
SCALE	1/4" = 1'-0"	SHEET 2 OF 5



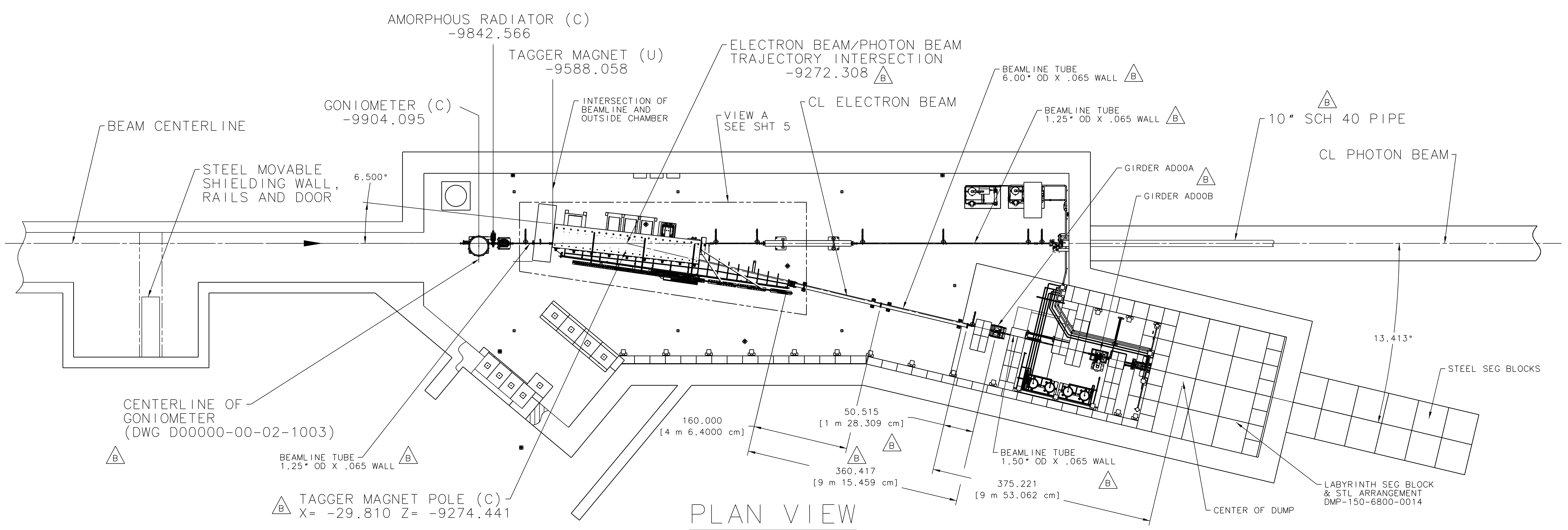
COLLIMATOR ALCOVE

U = UPSTREAM C = CENTER D = DOWNSTREAM

NOTES:
 1. ALL LOCATIONS ARE FROM HALL D 0,0,0 AND ARE IN CM'S.

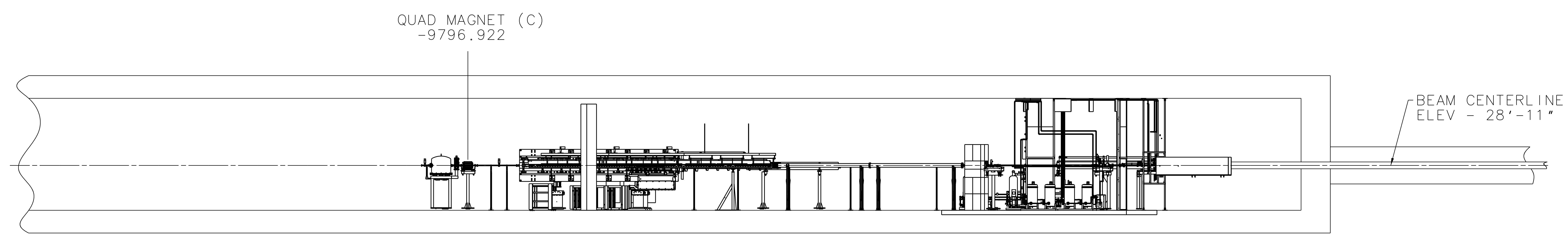
SIZE	DWG. NO.	REV.
E	D00000-00-00-4002	B
SCALE	ISSUE OR ASSY NO.	SHEET
N/A	N/A	3 OF 5

8 7 6 5 4 3 2 1



PLAN VIEW

U - UPSTREAM C - CENTER D - DOWNSTREAM



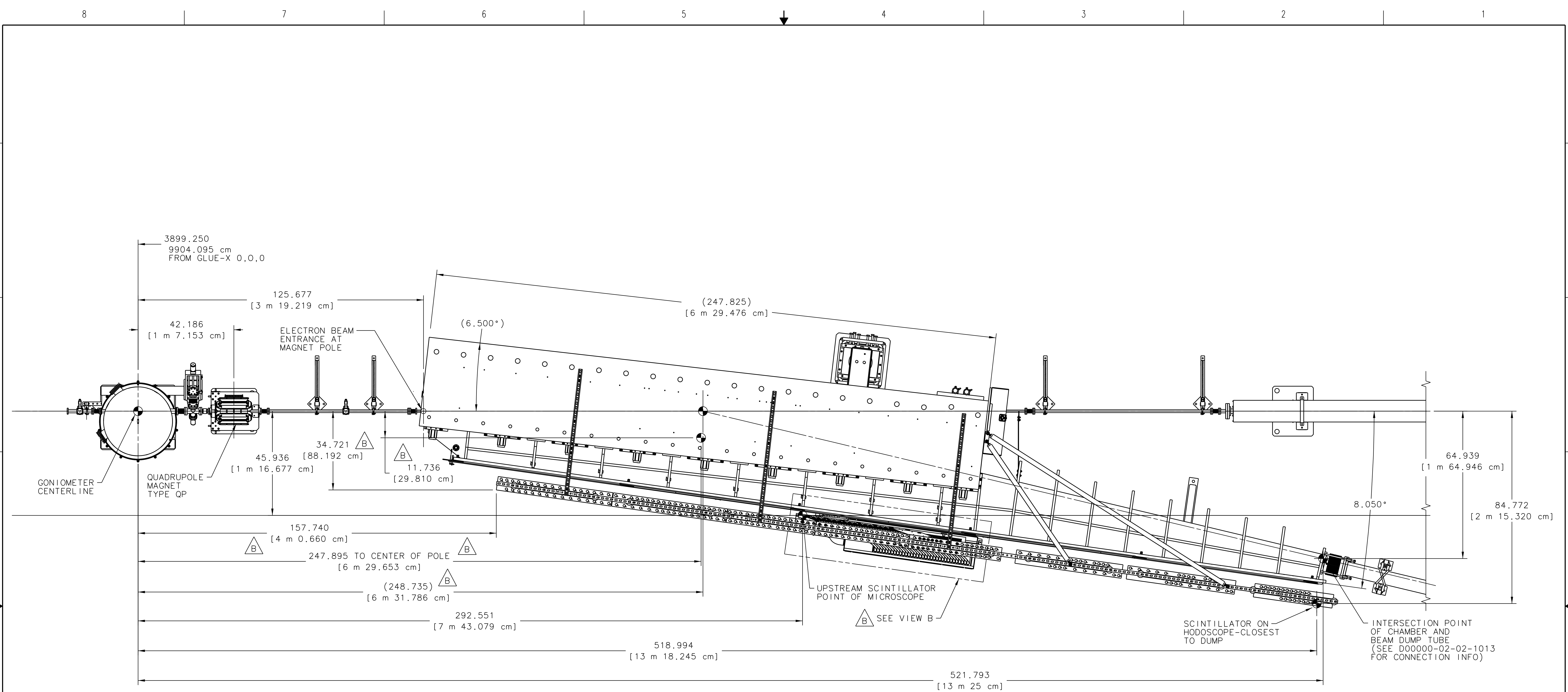
ELEVATION VIEW

SEG BLOCKS REMOVED FOR CLARITY

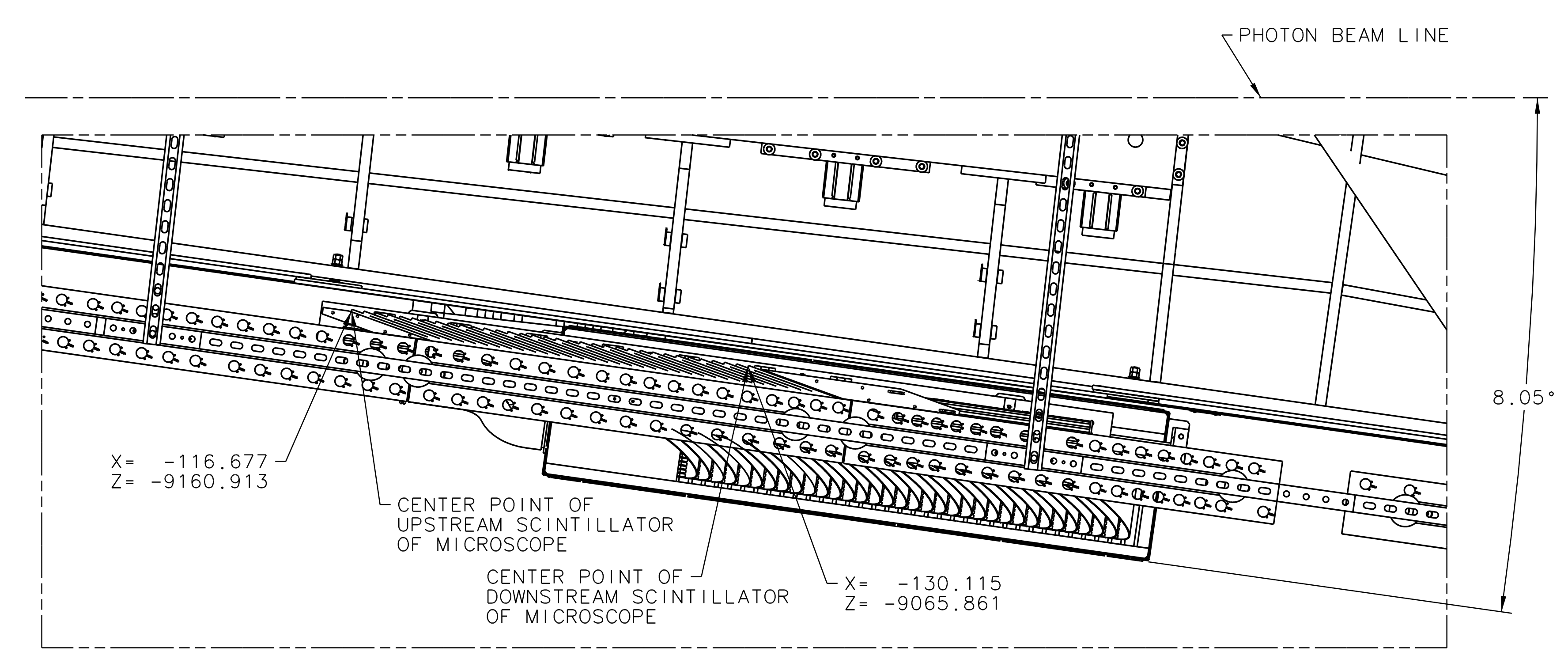
- NOTES:
 1. ALL LOCATIONS ARE FROM HALL D 0,0,0 AND ARE IN CM'S.

SIZE	DWG. NO.	REV.
E	D00000-00-00-4002	B
SCALE	1/8" = 1'-0"	SHEET 4 OF 5

8 7 6 5 4 3 2 1



VIEW A
FROM SHT 4
SCALE: 1/16



VIEW B
SCALE: 1/8

SIZE	DWG. NO.	REV.
E	D00000-00-00-4002	B
SCALE	USED OR ASSY NO.	SHEET
N/A	N/A	5 OF 5