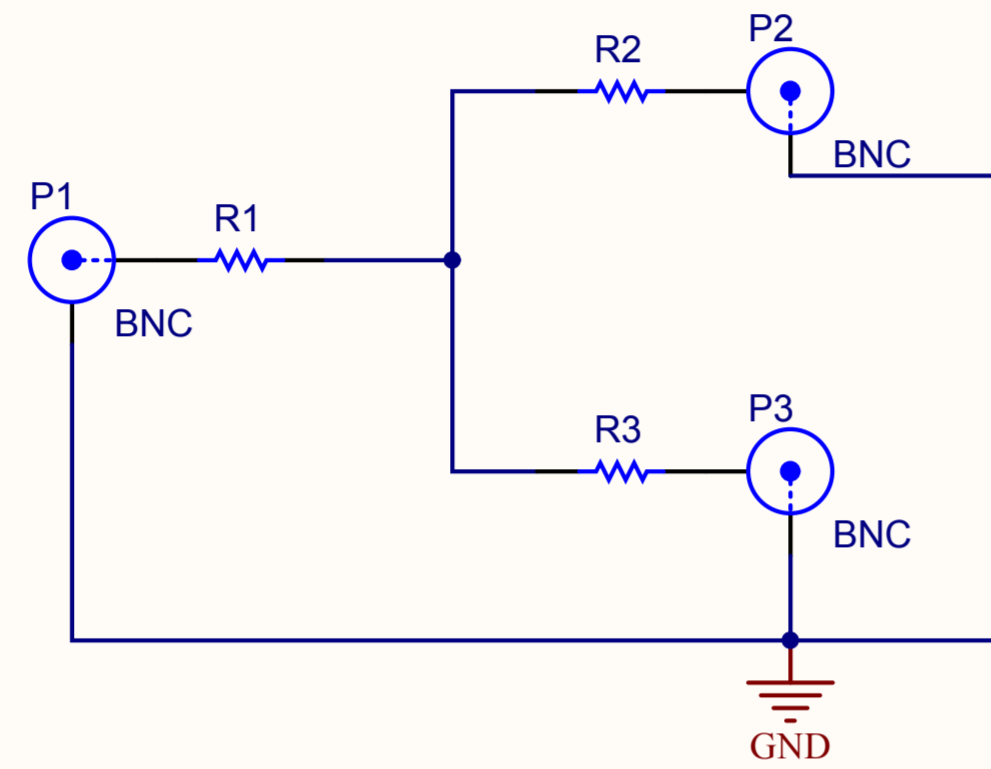


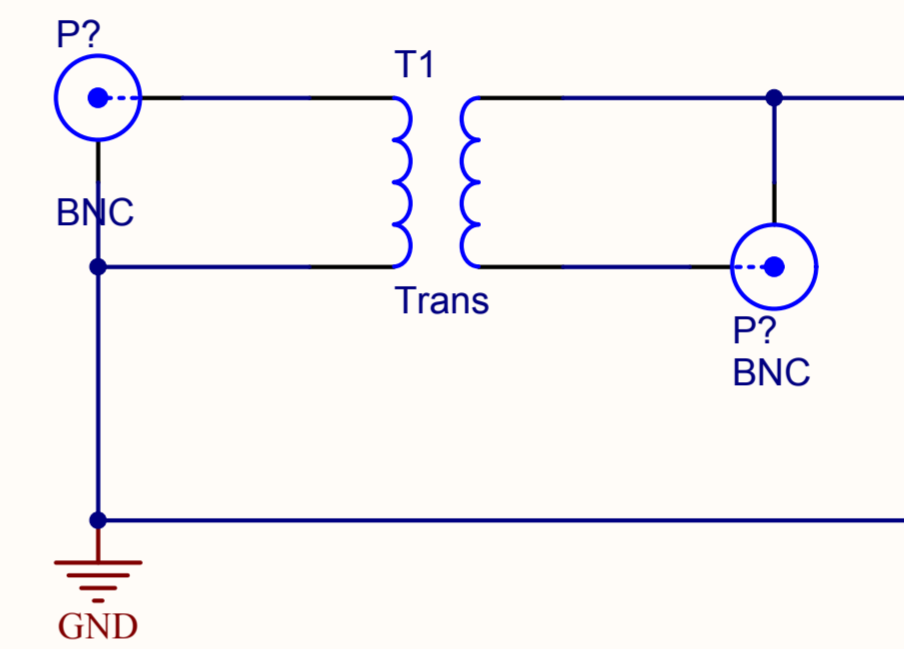
Splitter



Split Ratio	R1	R2	R3
50/50	16.5	16.5	16.5
40/60	10.0	49.9	16.5
30/70	3.3	105	16.5
20/80	2.0	191	10.0

All Resistors 1/4W, Metal or Carbon Film.
 Use Small Metal Boxes (Bud, Hammond, etc).
 Use BNC 227755-1 from Tyco or Equivalent.

Inverter



Pulse Transformer PWB-1-AL from Coilcraft.
 Use Small Metal Boxes (Bud, Hammond, etc).
 Use BNC 227755-1 from Tyco or Equivalent.

CONFIDENTIAL INFORMATION The information in this document shall not be disclosed, copied nor disseminated unless authorized by the authors.				
Drawn	Date: 8/31/2010	Title Splitter & Inverter		
Checked	Date:			
Approved		Size: B	Drawing Number:	Revision:
Engineer F.J. Barbosa		File: C:\ALTIUM\Simulation\Splitter & Inverter.SchDoc		Sheet * of *