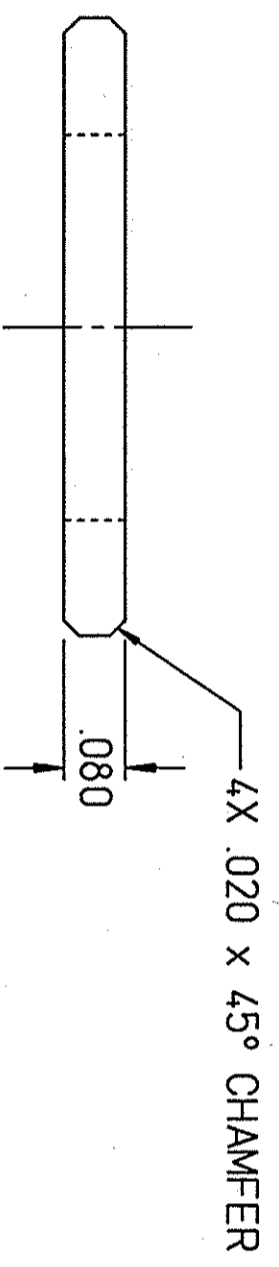
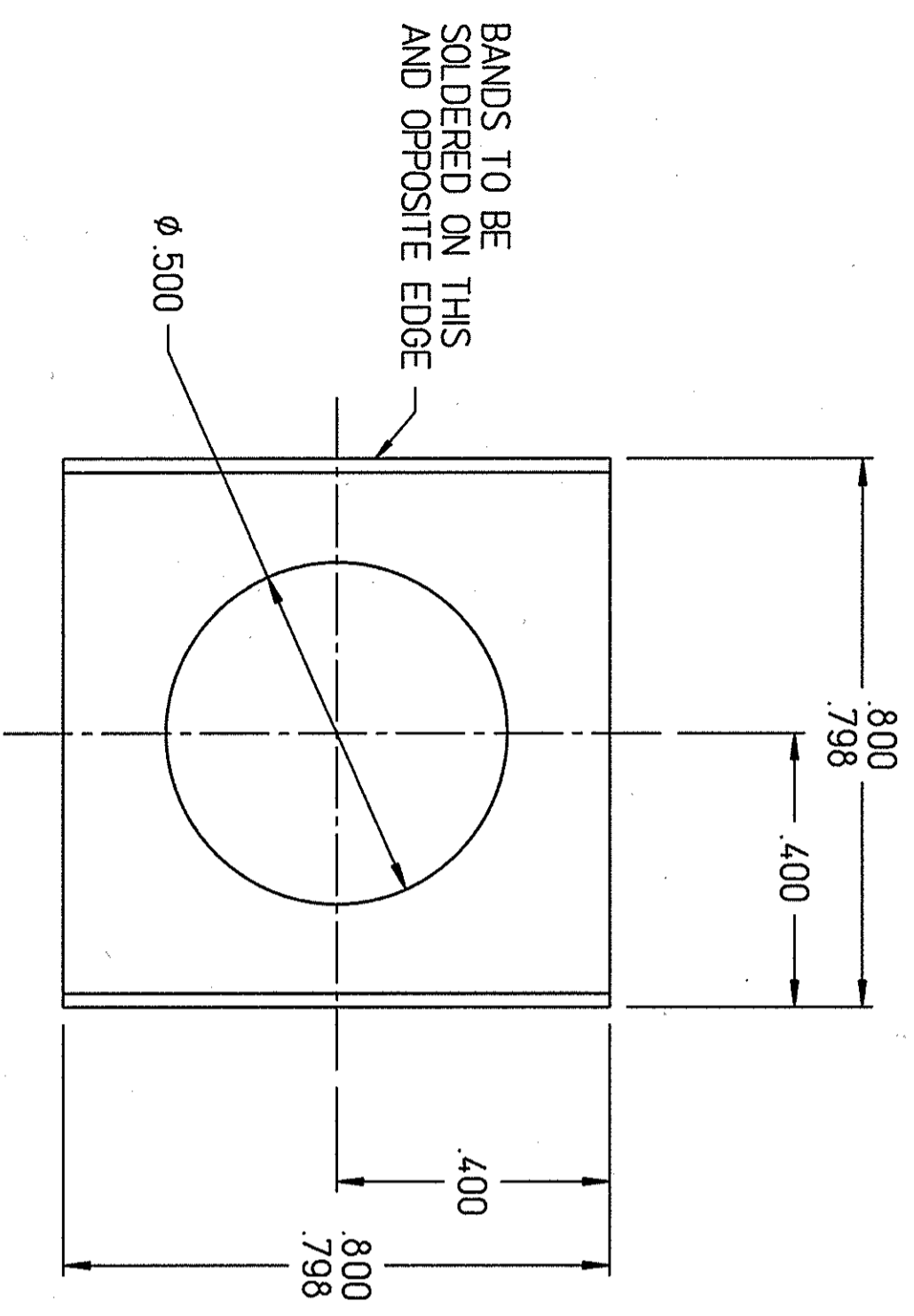


REVISIONS				
ZONE	REV.	DESCRIPTION	DATE	APPROVED
ALL	A	REMOVED SOLDERING WELLS, CHGD DIMS .803/.798 (WAS .803/.800).400 (WAS .402), Ø.555/.550 (WAS Ø.550) LOCATED BANDS & CRYSTAL FOR NEXT ASSY. REMOVED 2 CHAMFERS MRZ 2/26/02	3/12/02	D. KASHY
ALL	B	REMOVED GD & T, CHANGED HOLE SIZE (WAS Ø.555/.550) REMOVED TAPPED HOLES, CHANGED CHAMFER (WAS 2X .010) TITLE WAS PROTOTYPE-1 MRZ 7/26/02	8/5/02	DJK



DIM & TOL PER ASME Y14.5
UNLESS OTHERWISE SPECIFIED
DIMENSIONS ARE IN INCHES
TOLERANCES ARE:
FRACTIONS DECIMAL ANGLES
± N/A .XX ± N/A ± N/A
± N/A .XXX ± .005

MATERIAL
BRASS
ALLOY 260

FINISH 63
DEBURR & BREAK ALL SHARP EDGES

UNLESS OTHERWISE NOTED
DO NOT SCALE DRAWING

CAOP I.D. NO.
/WBS/bj/zorecky/66000
/3400/6813003501_REV B

APPROVALS

DRAWN
M. ZARECKY
11/12/01

CHECKED
D. KASHY
11/26/01

APPROVED
D. KASHY
11/26/01

APPROVED
D. KASHY
11/26/01

Thomas Jefferson National Accelerator Facility
UNITED STATES DEPARTMENT OF ENERGY

PRIMEX
HYCAL

LEAD/TUNGSTATE CRYSTAL COUNTER
UPSTREAM PLATE

SIZE/DWG. NO.
B 66813-B-03501

SCALE 4X USED ON ASSY NO. 66813-D-03500 SHEET 1 OF 1