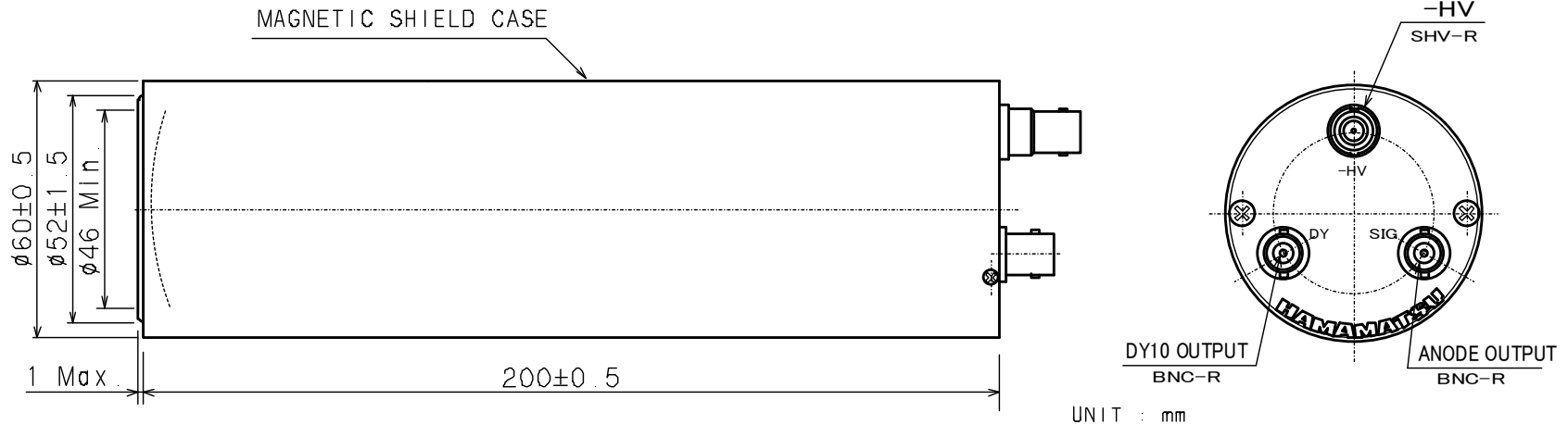
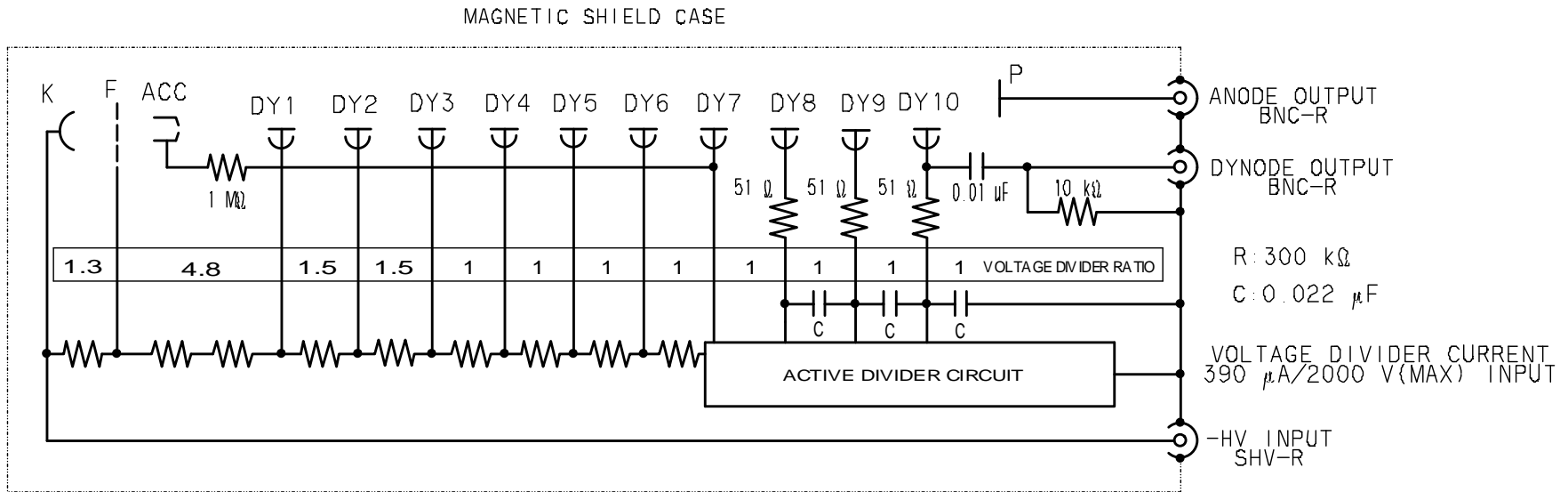


This information is furnished for your information only.  
 No warranty, expressed or implied, is created by furnishing this information.



**H10534MOD**  
 WITH DYNODE OUTPUT

DIMENSIONAL OUTLINE AND VOLTAGE DIVIDER CIRCUIT

DATE 14.May.  
 2010  
 Ref.#10534-100514

**HAMAMATSU**  
 HAMAMATSU PHOTONICS K.K. Electron Tube Division