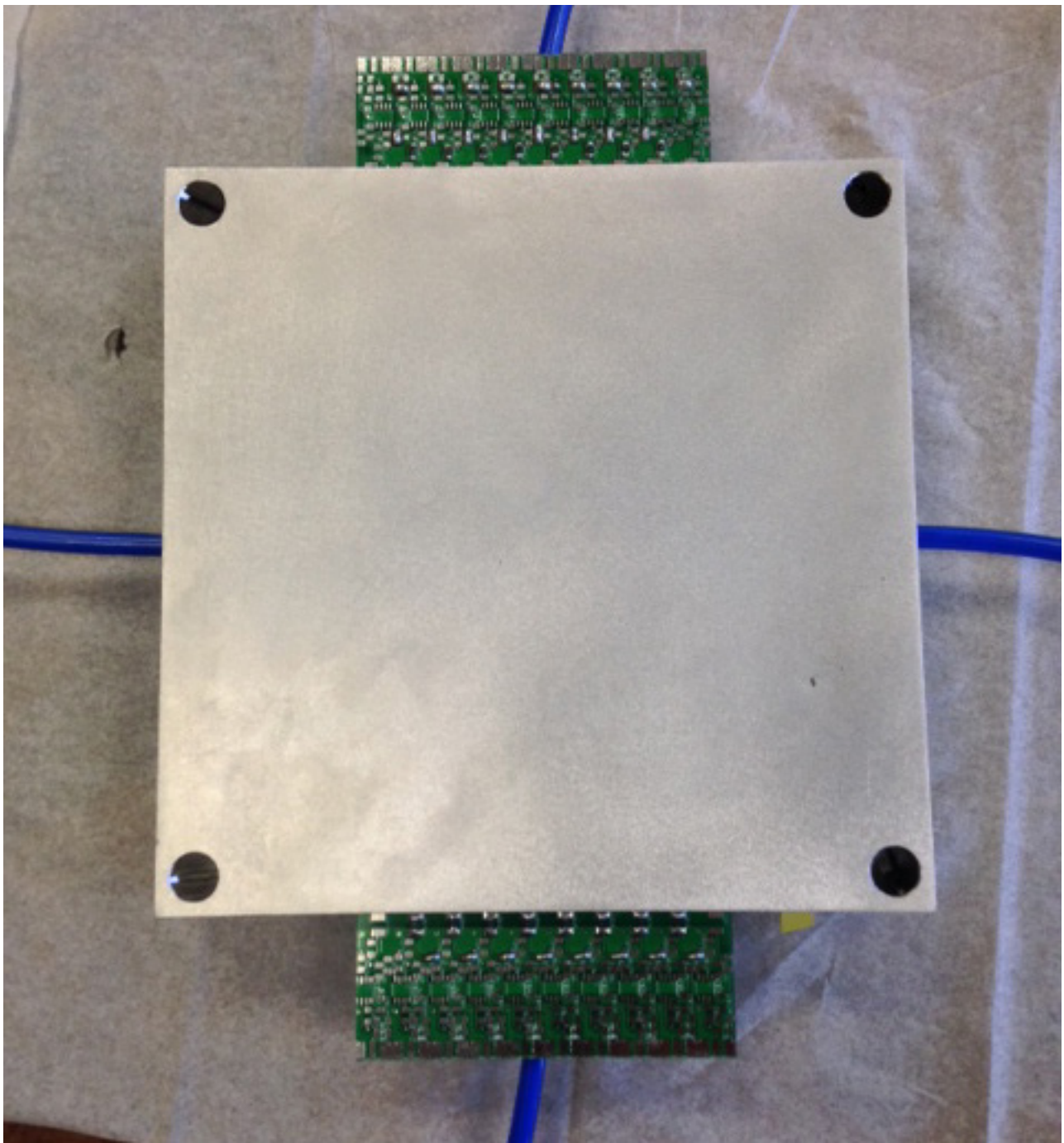


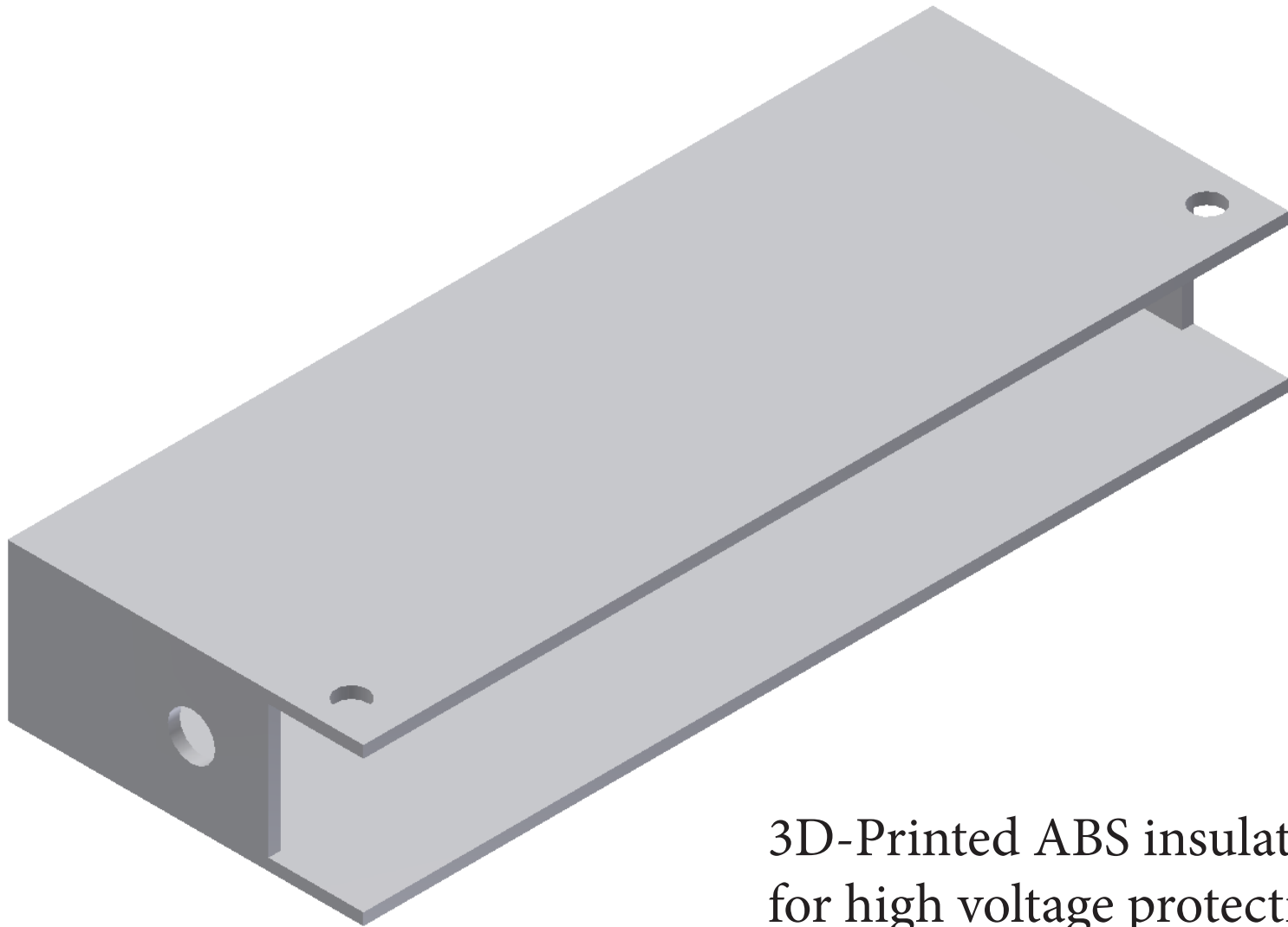
Material	Supplier	Price/unit	Comments
G-10	Acculam	\$1,600.00	Manufacture at .400 +/- .033
	Norplex-Micarta	\$922.88	.400" (+/- .033) NP500A NA 48" X 96"
	Norplex-Micarta	\$1,050.17	.400" (+/- .003) NP500A NA S2S 48" X 96" sanded both sides.
	Norplex-Micarta	\$893.65	.341" (+/- .003) NP500A NA S2S 48" X 96" sanded both sides. Cut into 4" strips at \$6.73 per strip.
¼" Aluminum Plate	OnlineMetals	\$924.80	
	Cut2SizeMetals	\$627.75	
	The Metal Store	\$1,360.22	
Aluminum Honeycomb	hcpans	\$902.84	68" x 68" x .604" plate with 4" aluminum frame and 1/4" cell
	Brian Kerr Mfg.	Waiting for quote	

6 Sheets .400" G-10 + 2 Sheets .341" G-10 + Cutting Fees ≈ \$8,704.32

22 Panels of Honeycomb = \$19,862.48

TOTAL: \$28,566.80





3D-Printed ABS insulating box
for high voltage protection on
prototype circuit boards.