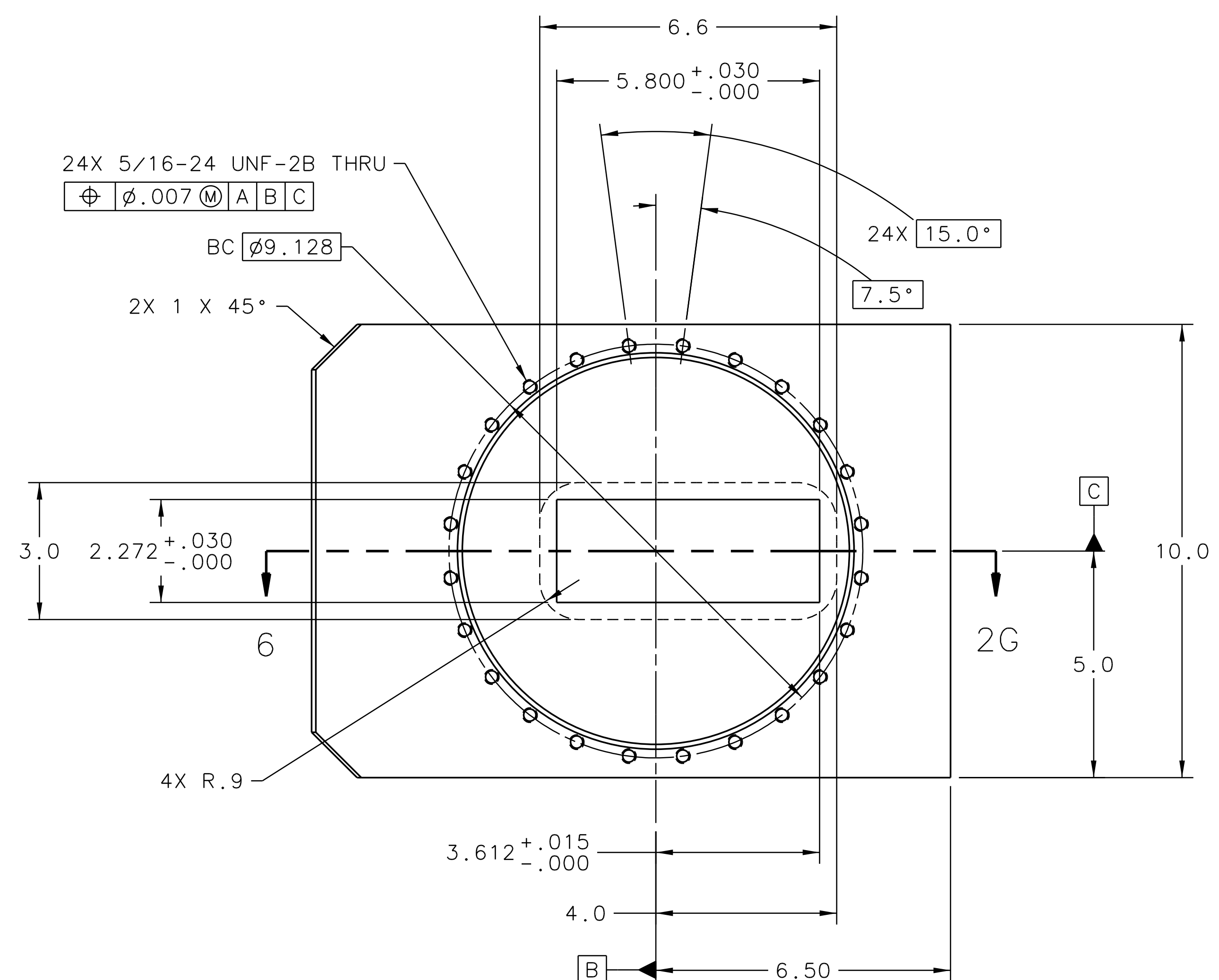
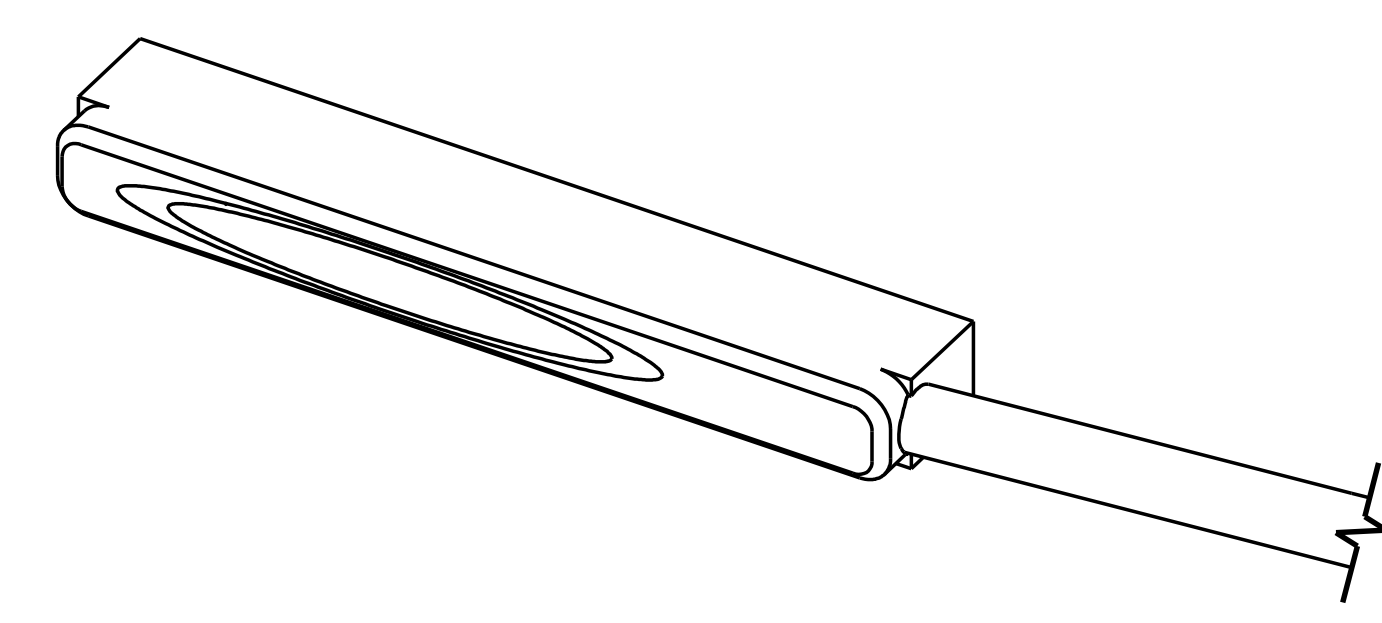
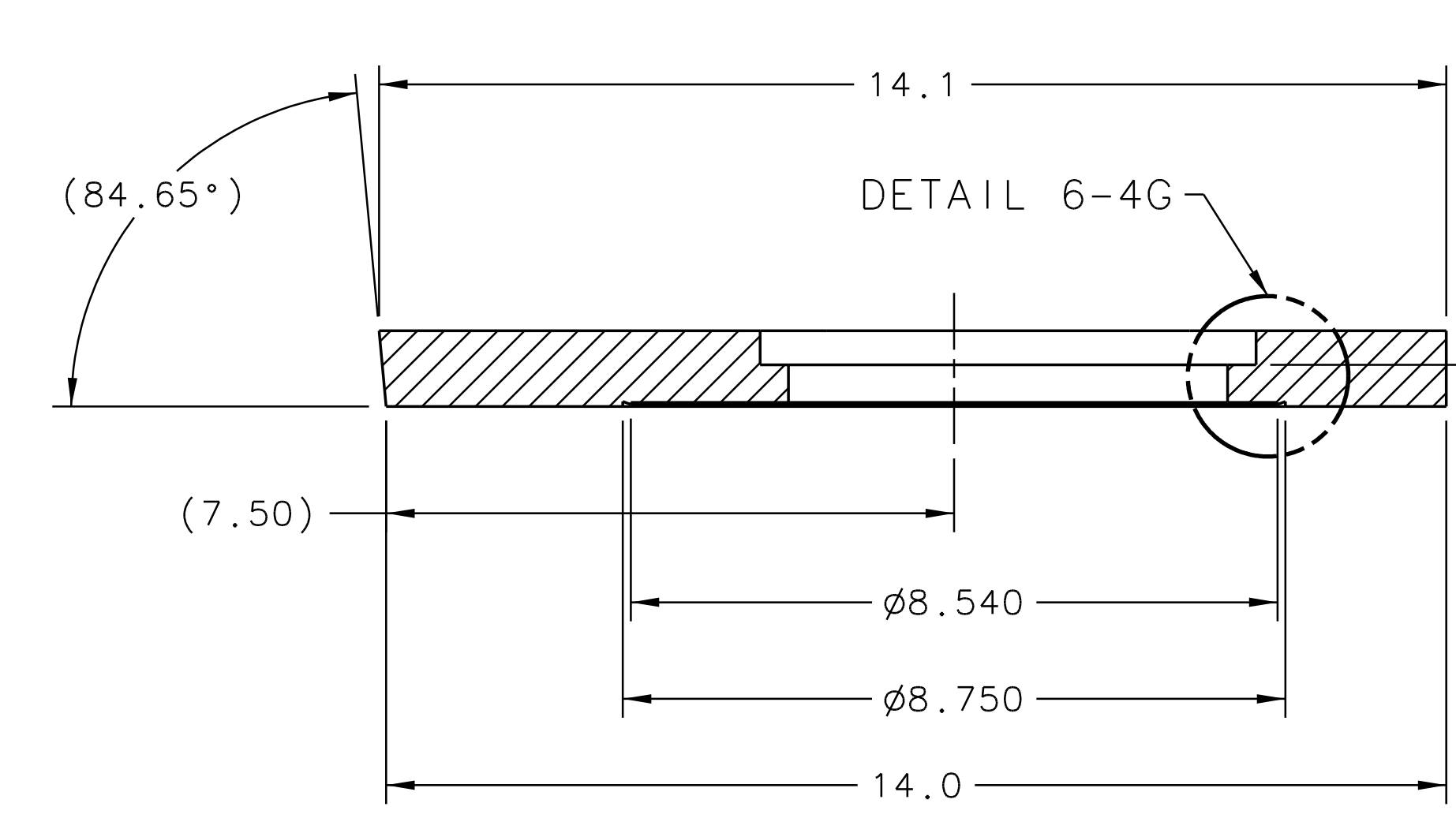
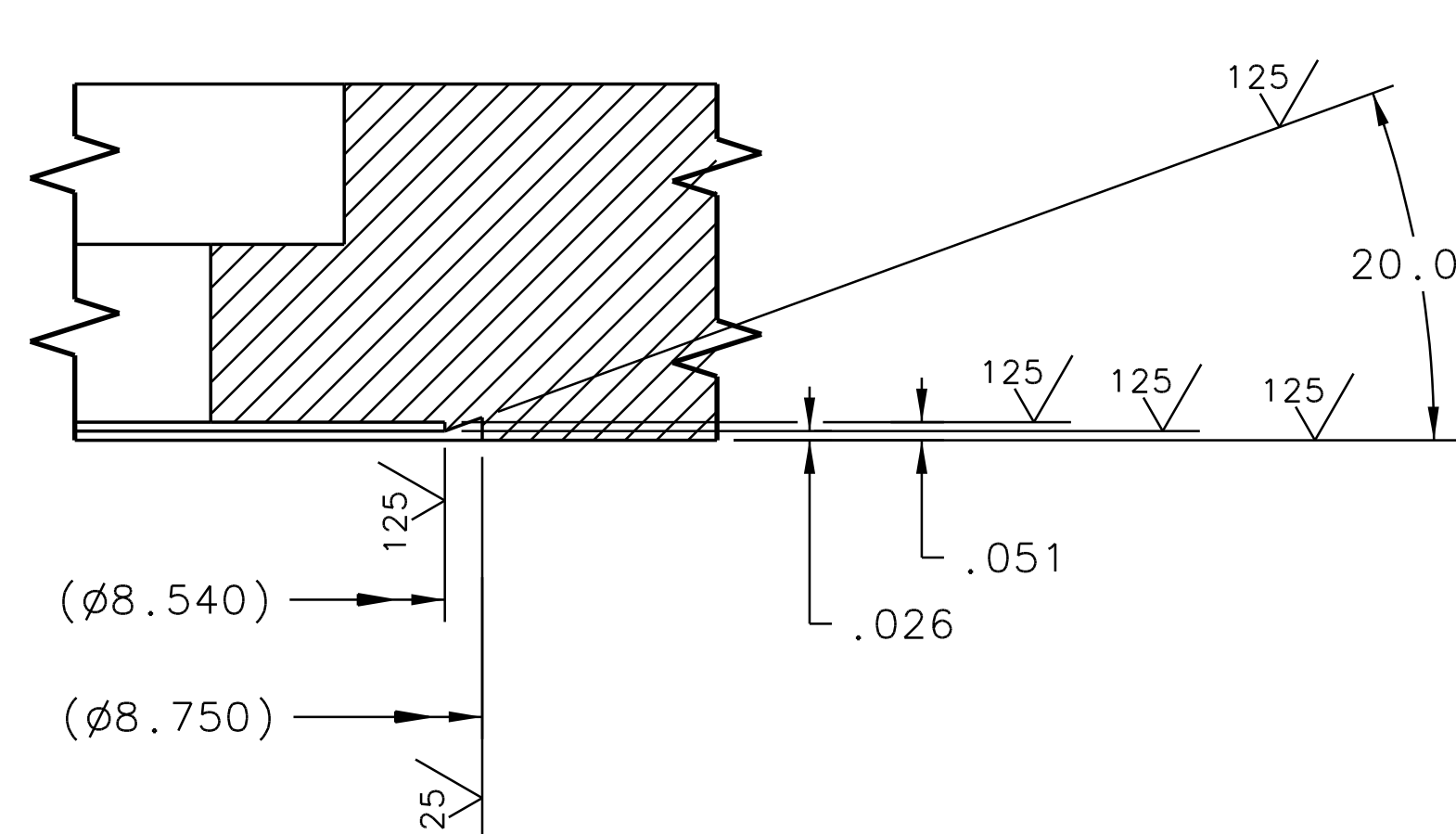
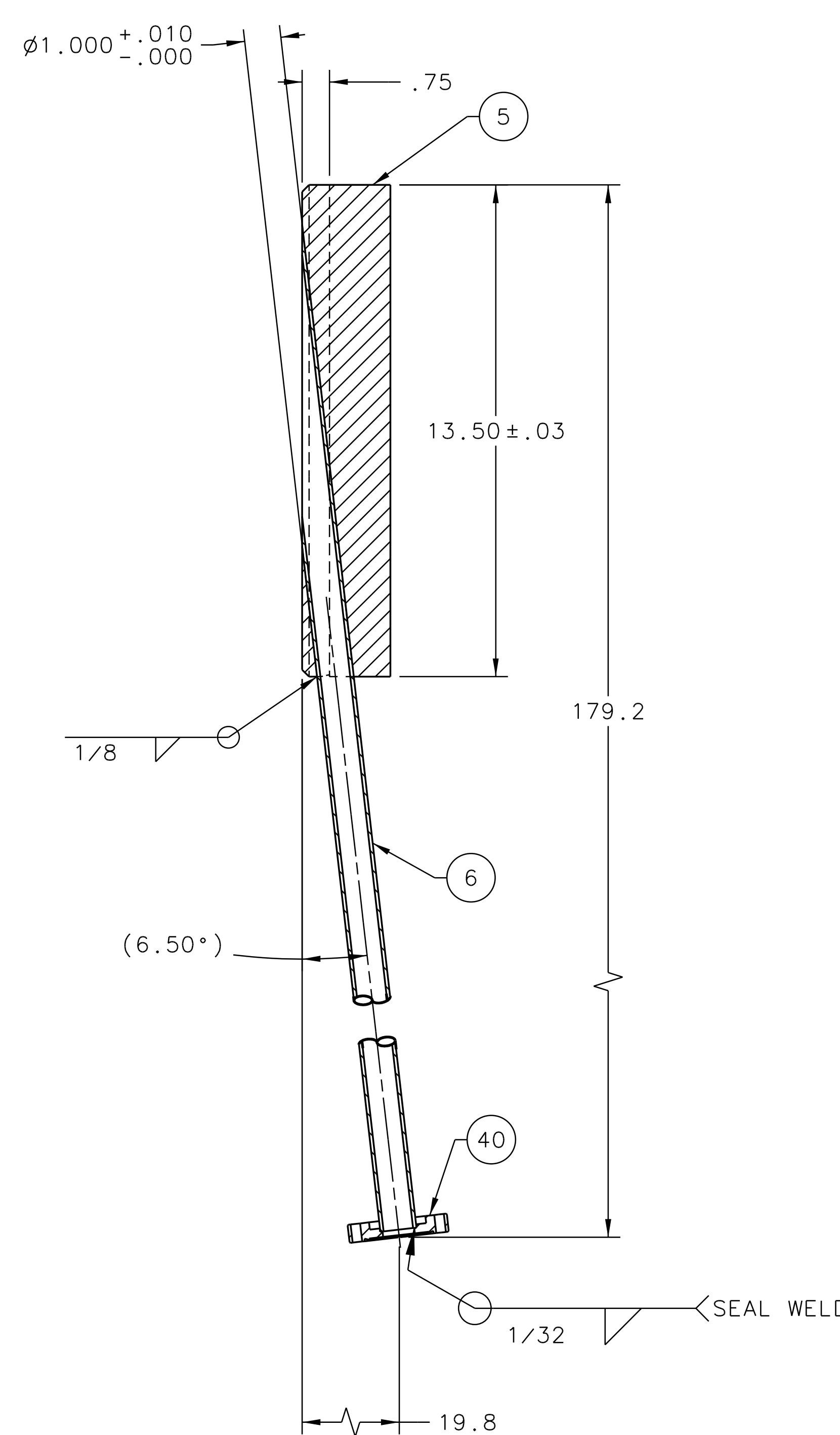
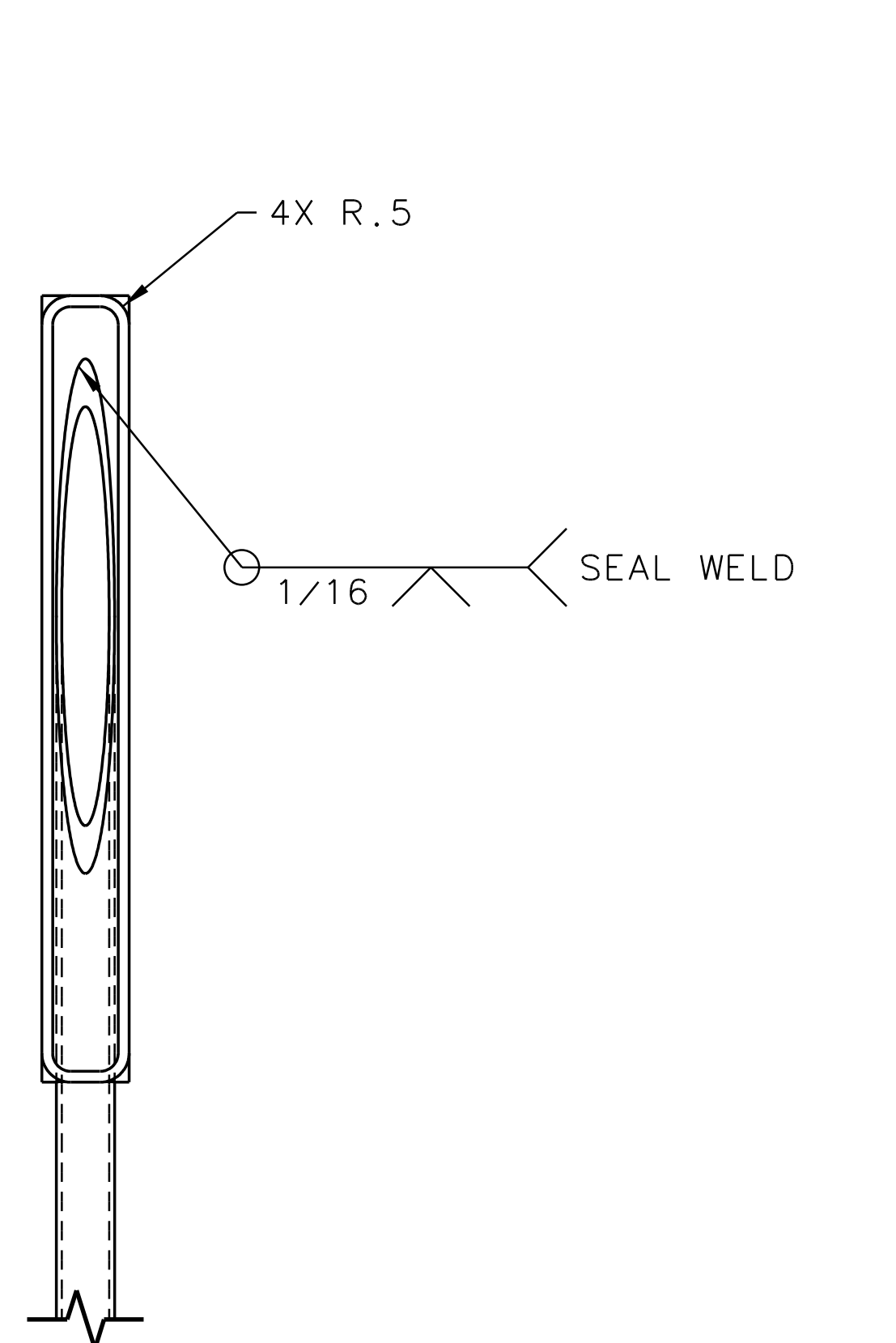
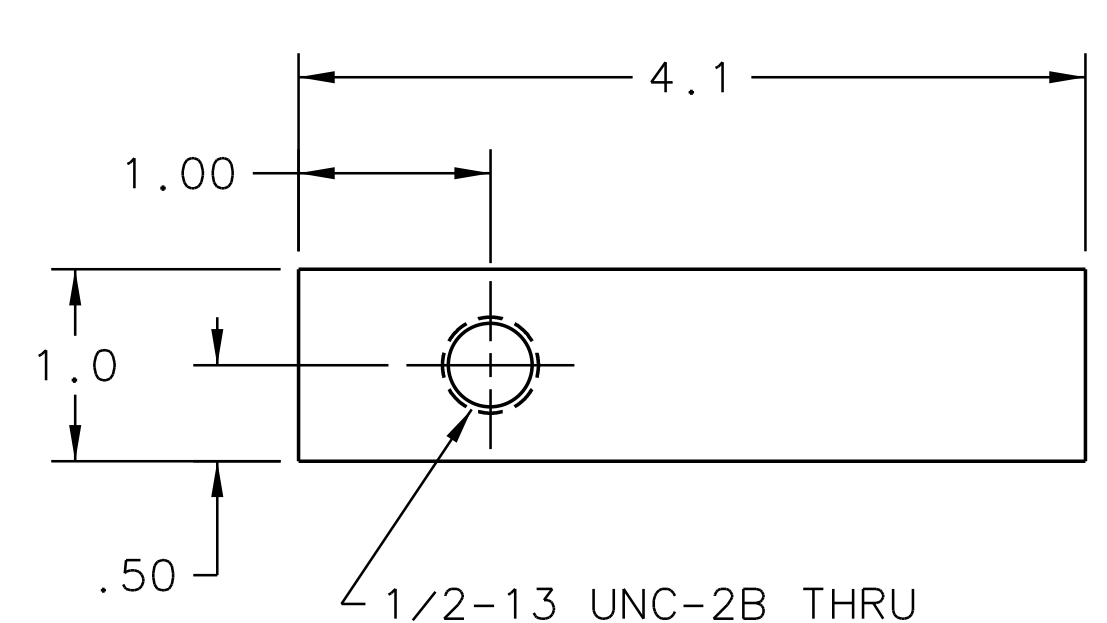
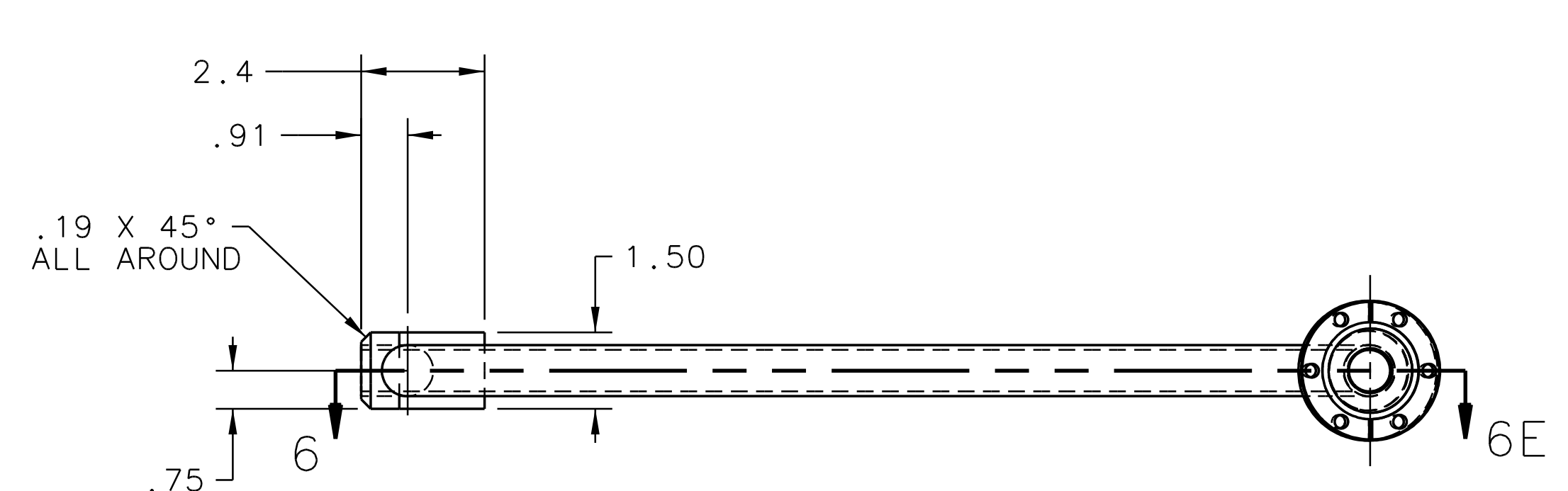


8 7 6 5 4 3 2 1

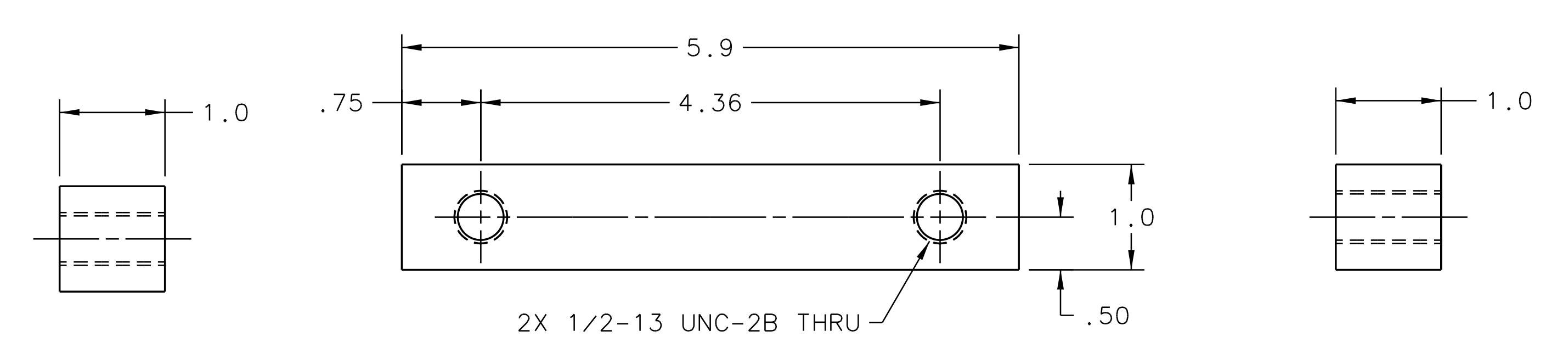
H
G
F
E
D
C
B
A



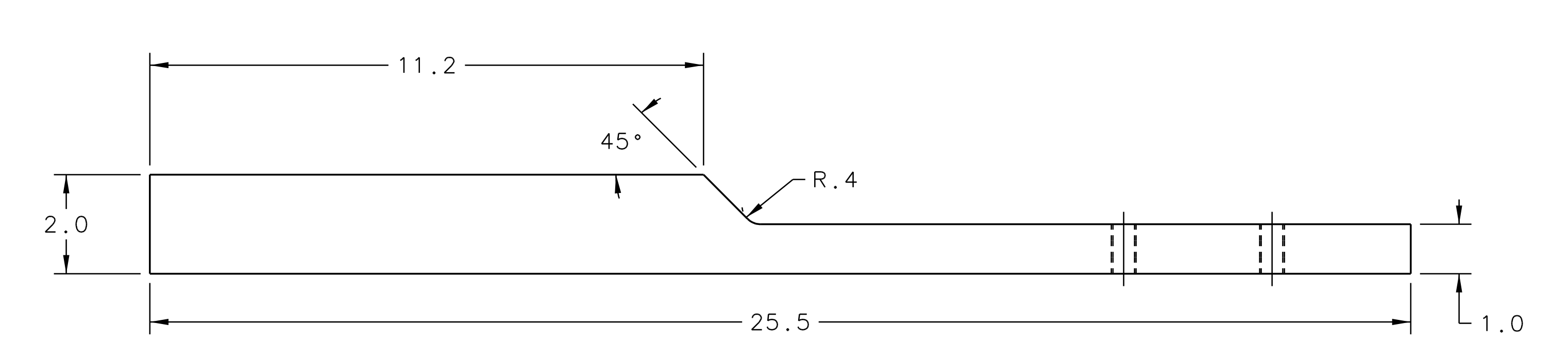
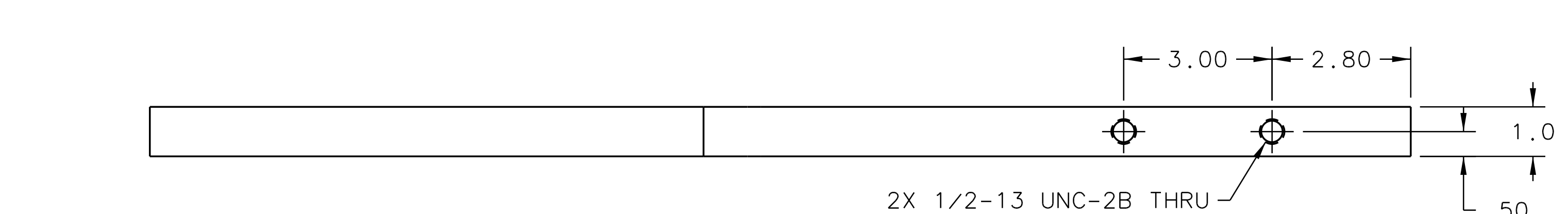
BEAM TUBE EXIT SUB-ASSY
(CONSISTS OF ITEMS 5, 6, & 40)
SCALE NONE



NOTE: ALTERNATE CONSTRUCTION PERMISSIBLE.
HOLE MAY BE OMITTED UNTIL AFTER WELDING. ∇ 5/8 MIN FULL THREAD, DO NOT BREAK THRU.



NOTE: ALTERNATE CONSTRUCTION PERMISSIBLE.
HOLES MAY BE OMITTED UNTIL AFTER WELDING. ∇ 5/8 MIN FULL THREAD, DO NOT BREAK THRU.



8 7 6 5 4 3 2 1