

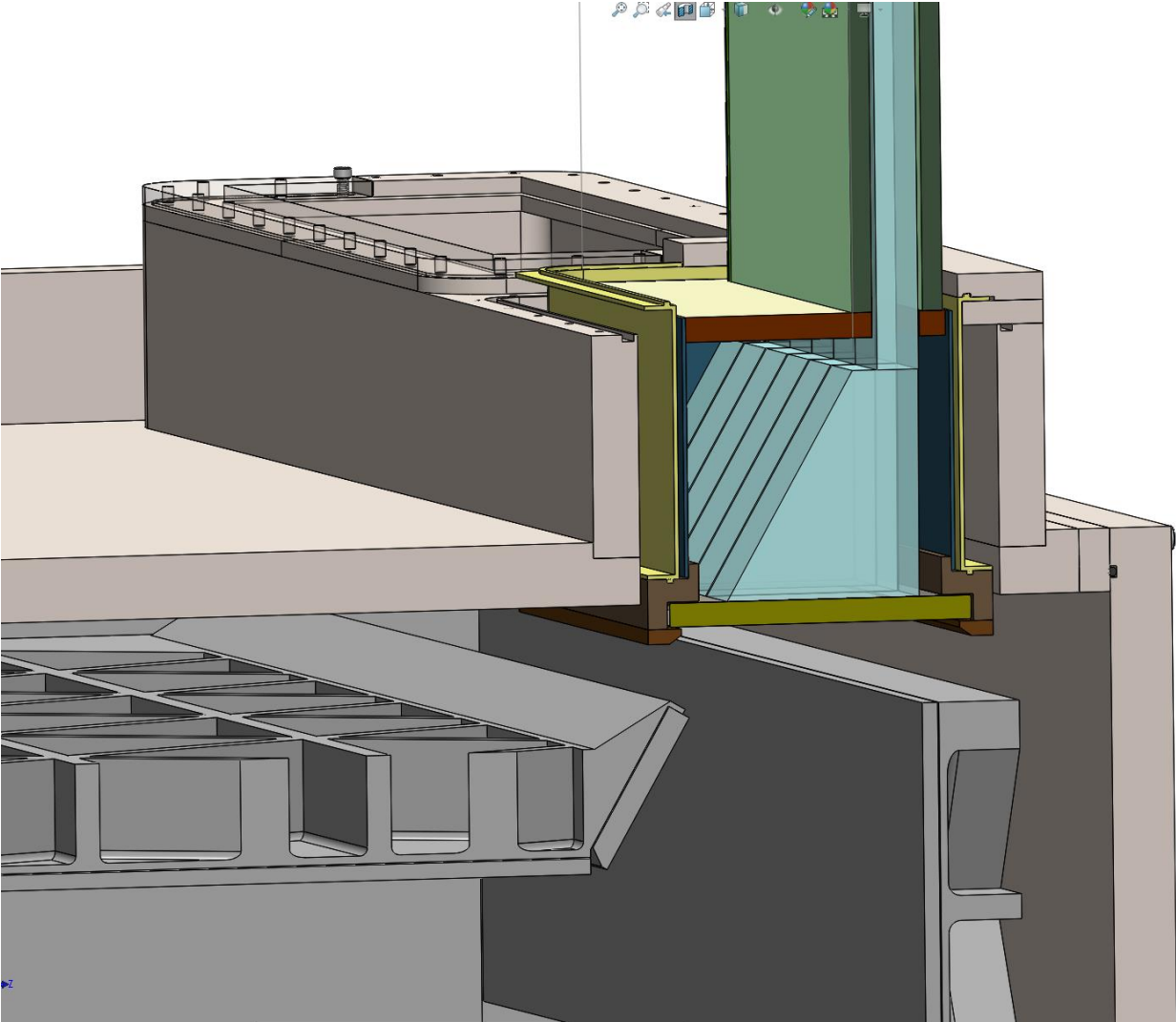
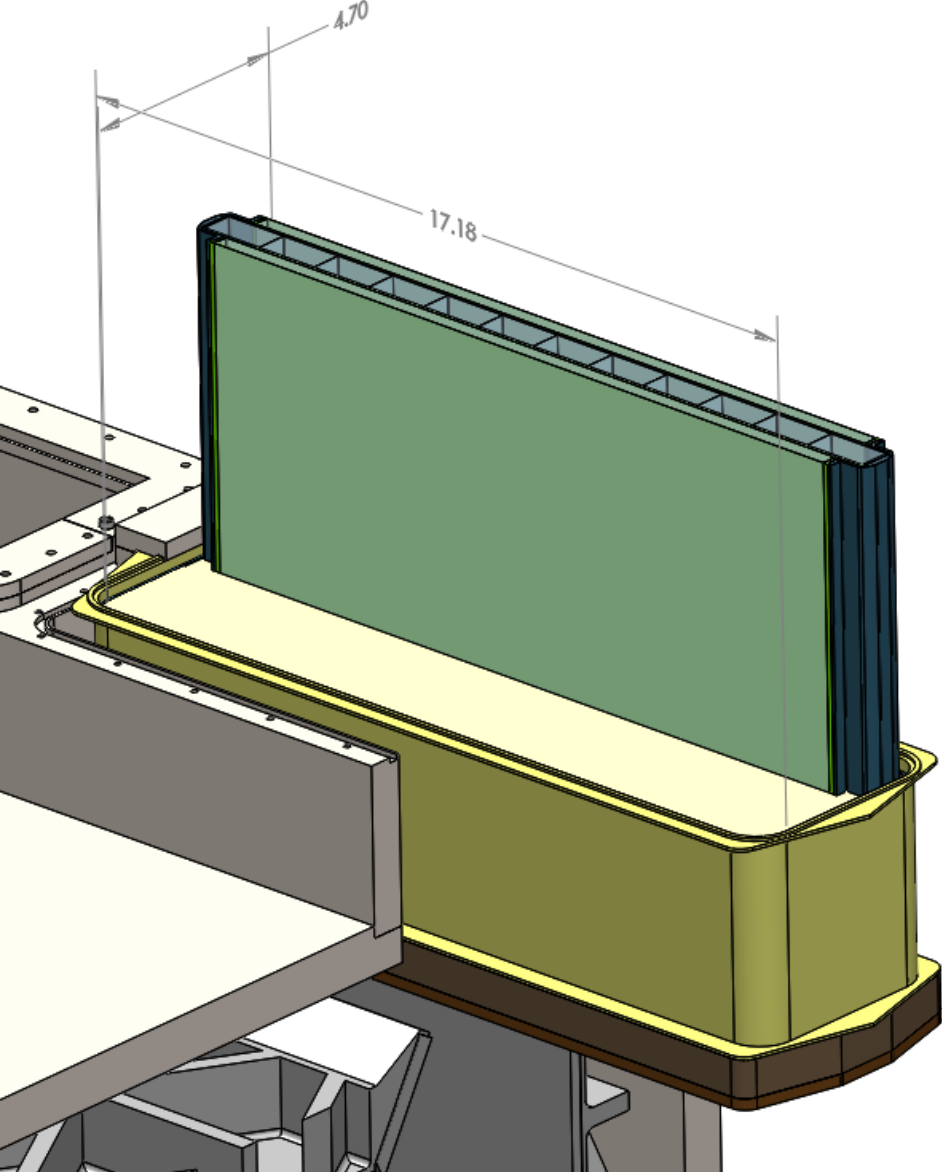
# GlueX fDIRC Optical Box

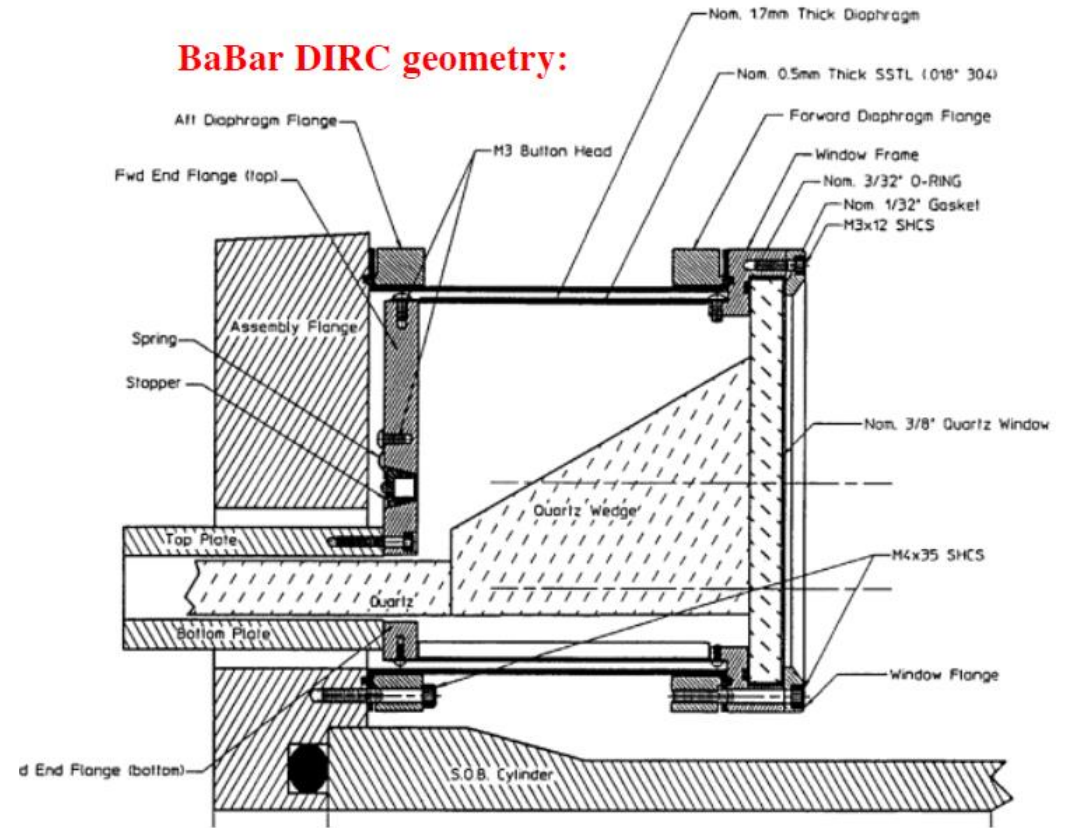
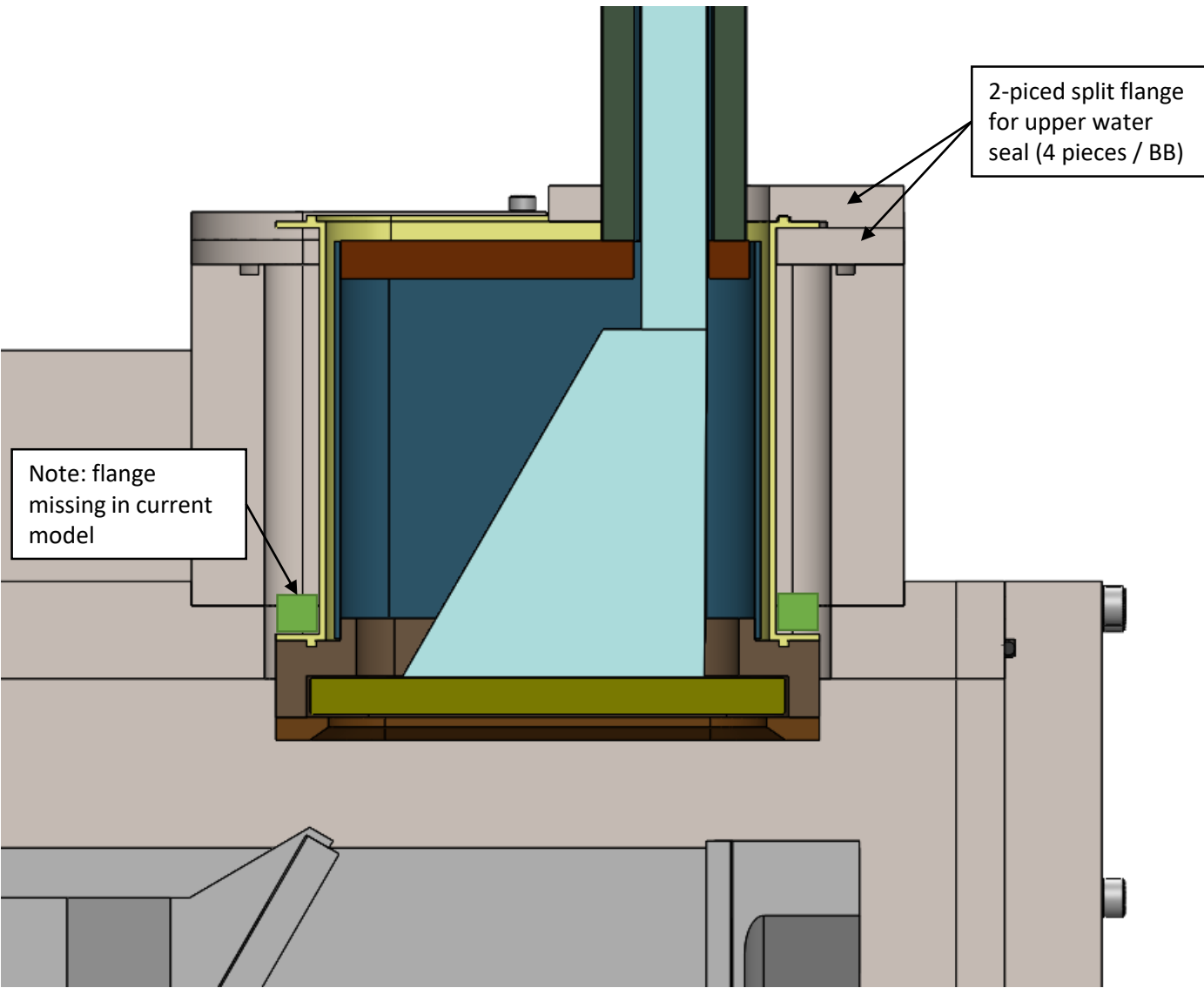
Notes for Discussion

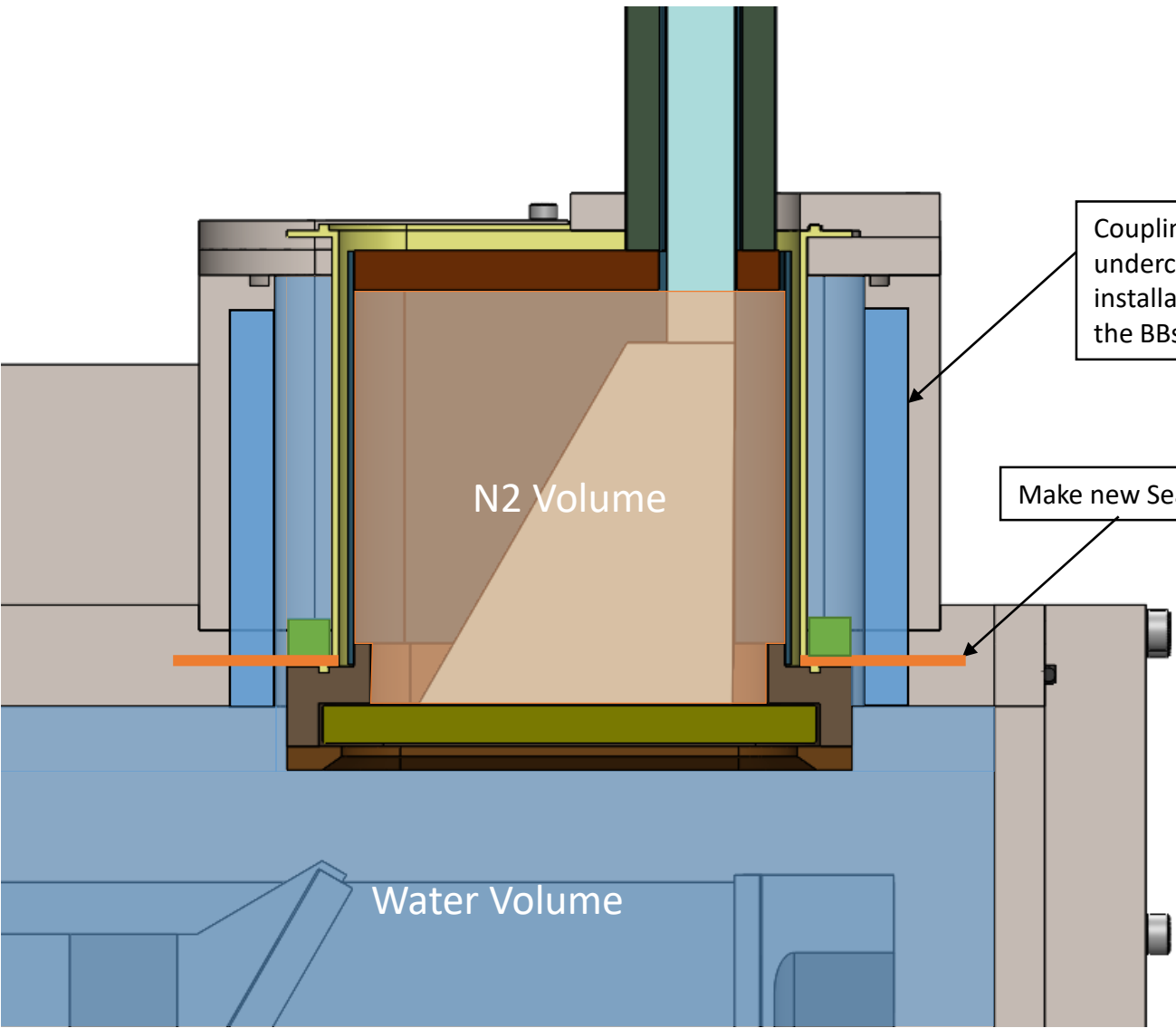
21 October 2016

J. Bessuille

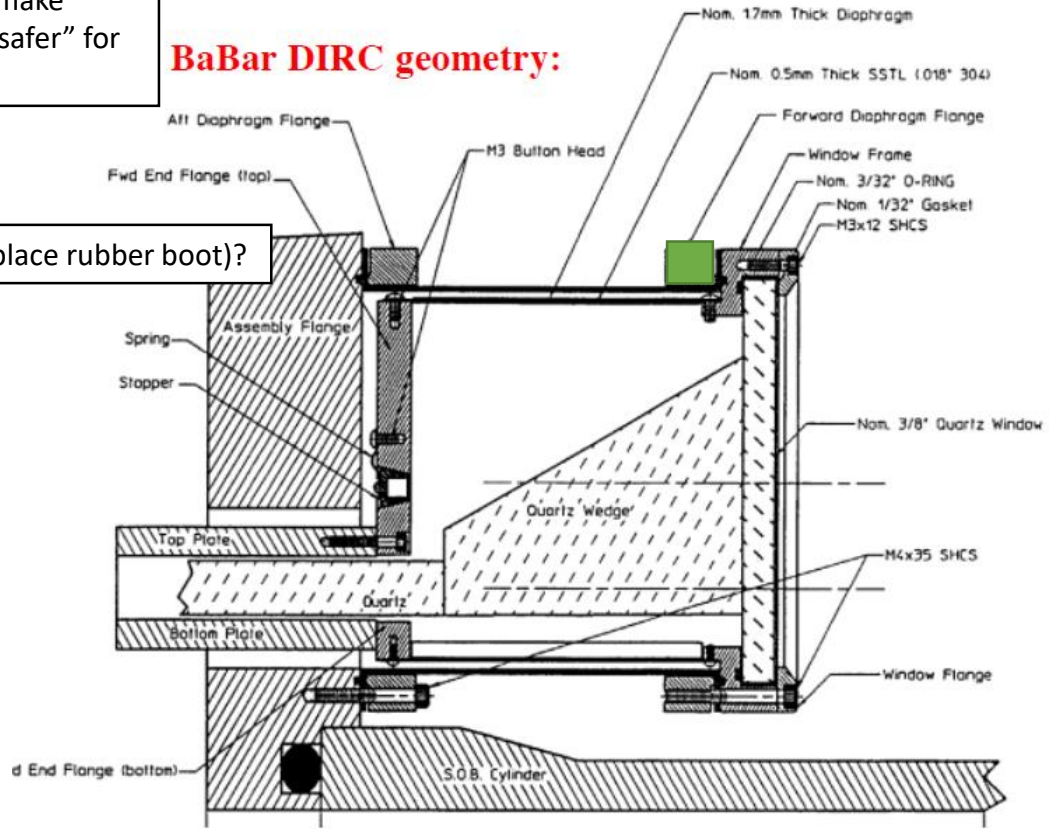
Bar Box installed in Optical Box Model



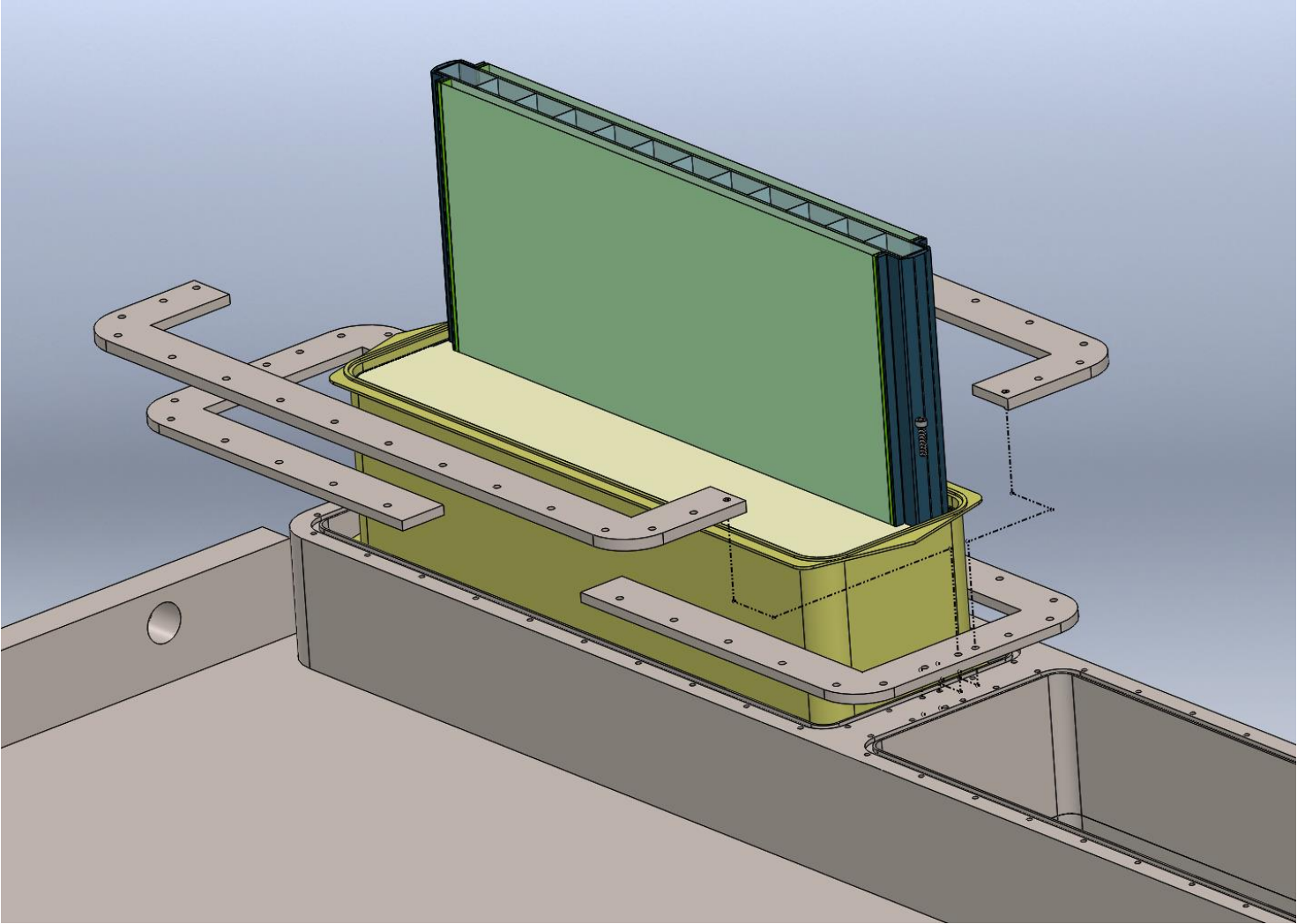




**BaBar DIRC geometry:**

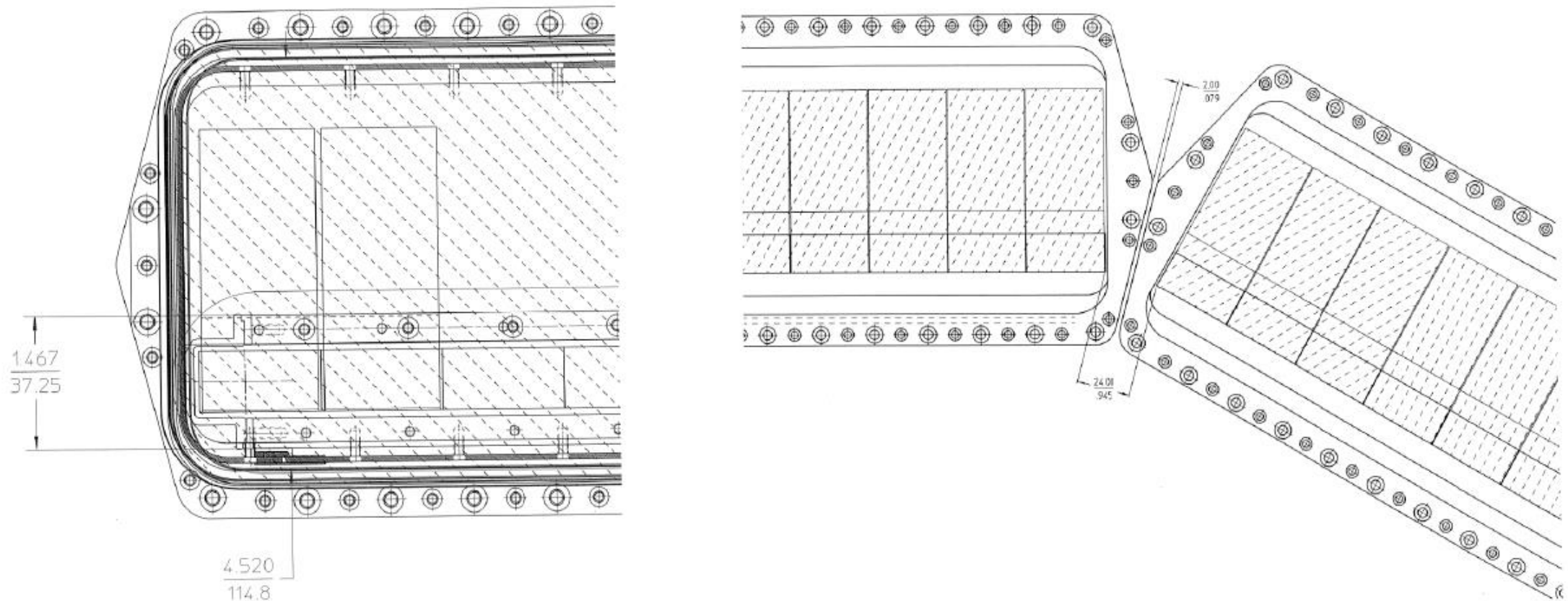


# Split Flange Concept



# Arrangement in BaBar – This is why the water seal boots are so narrow

## Finished window assembly:



# Bar Box Installed in 2001

