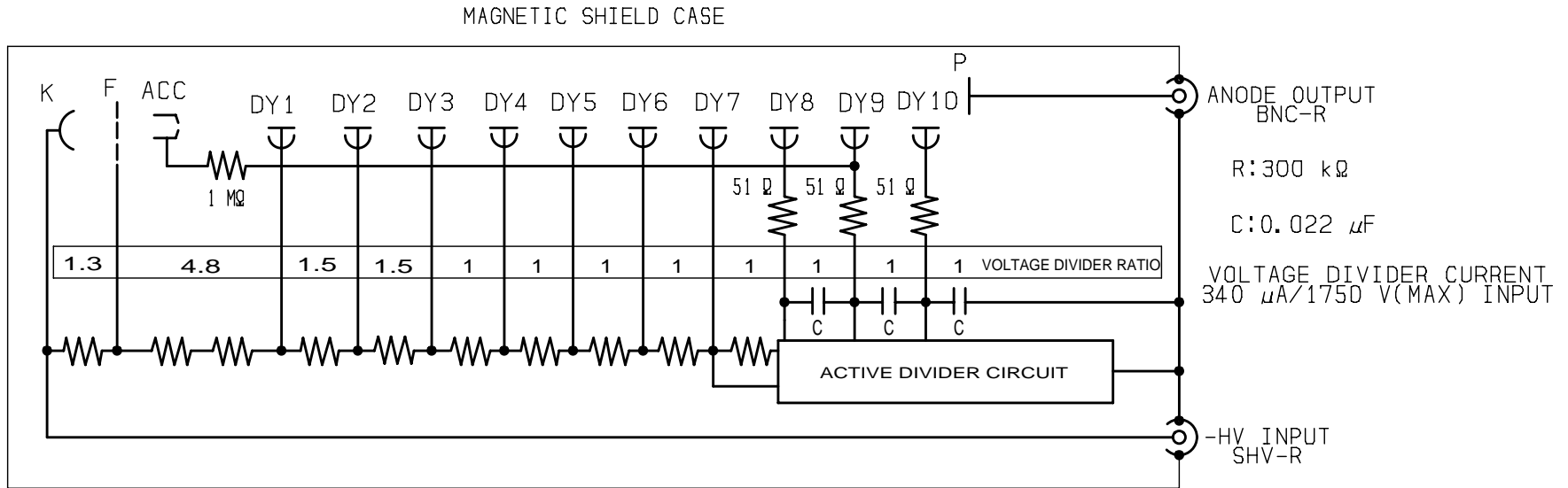


This information is furnished for your information only.  
 No warranty, expressed or implied, is Created by furnishing this information.



H10534

DIMENSIONAL OUTLINE AND VOLTAGE DIVIDER CIRCUIT

DATE 09.Aug. 2007

**HAMAMATSU**  
 HAMAMATSU PHOTONICS K.K. Electron Tube Division