

Response of lead-glass cerenkov counters to charged pions

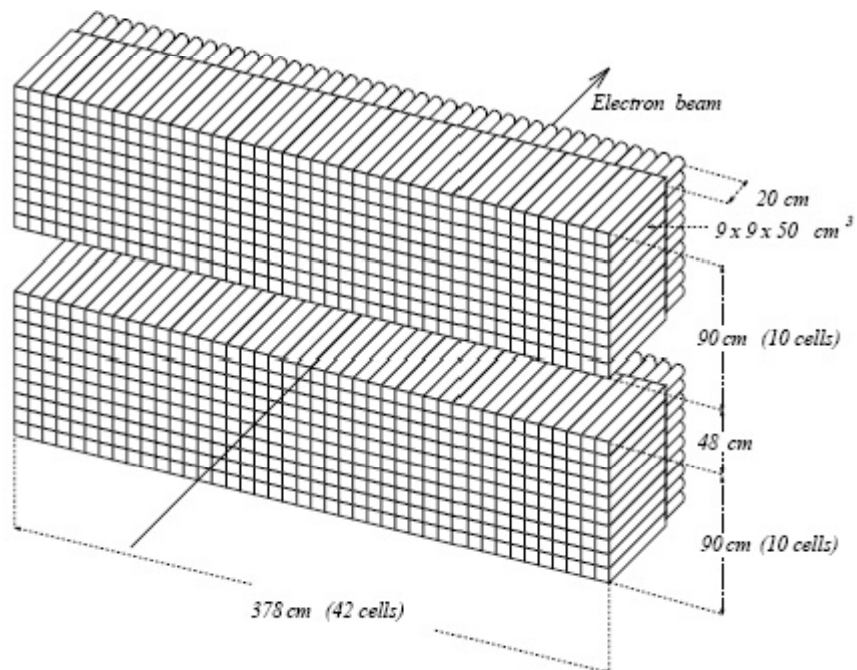


Figure 1: Isometric view of the HERMES calorimeter

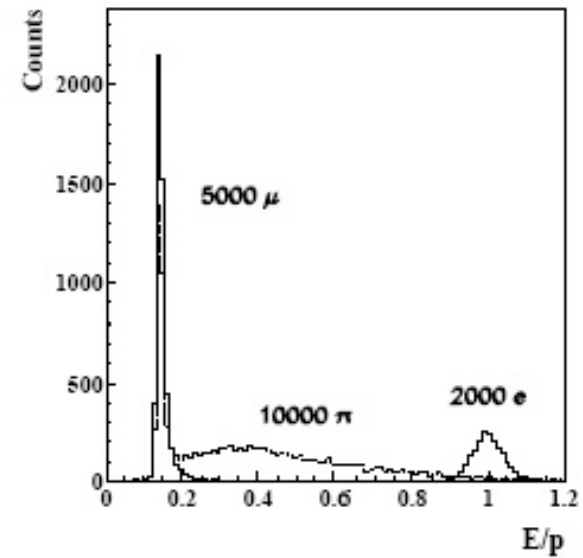


Figure 3: Distribution of the ratio of the energy deposited E and momentum p for e , π and μ of 5 GeV/c momentum.

GlueX FCAL simulation $\gamma p \rightarrow n X(1600) \rightarrow n \pi^+ \pi^+ \pi^-$
James Hubbard and David Doughty, March 2002?

