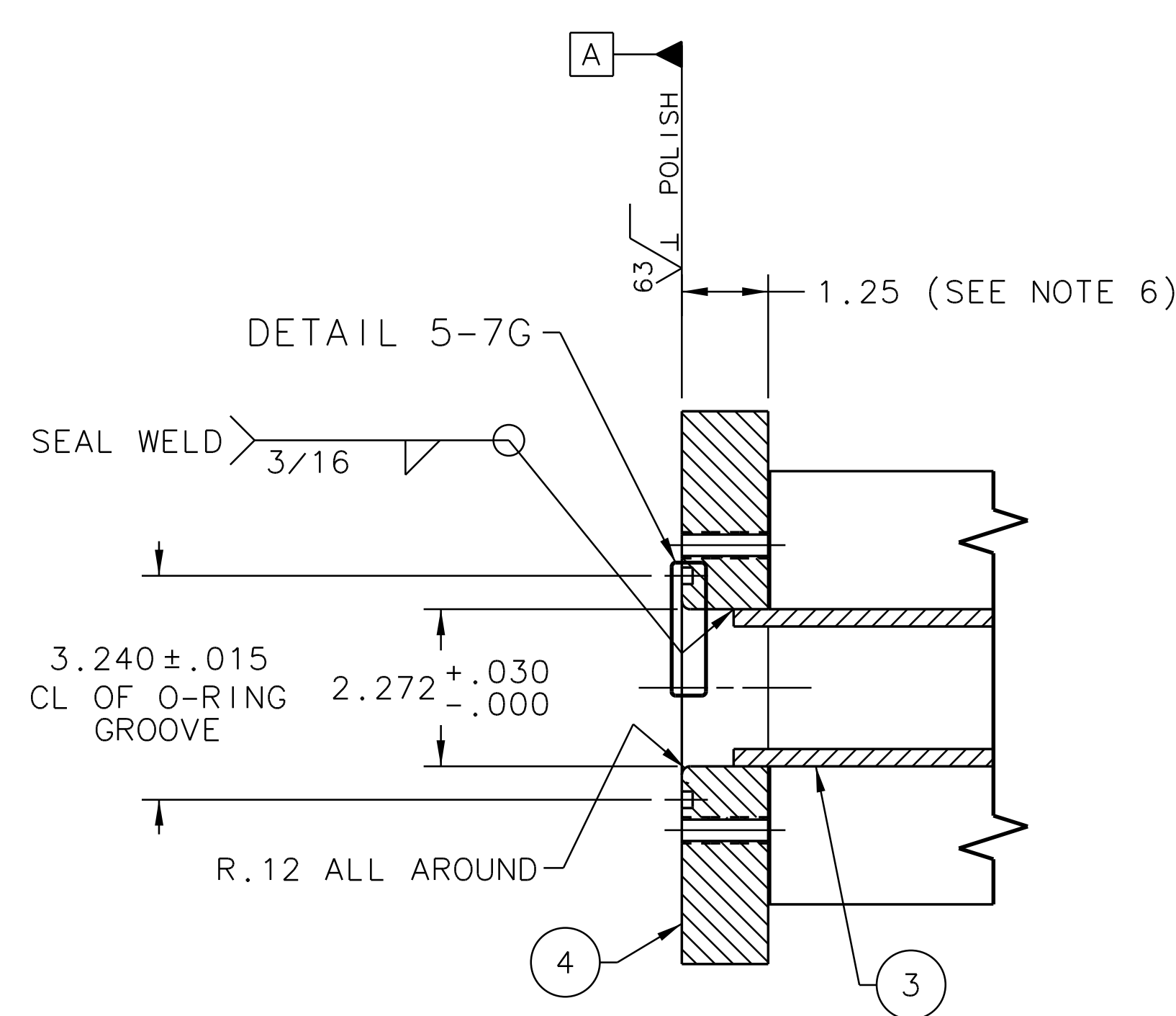
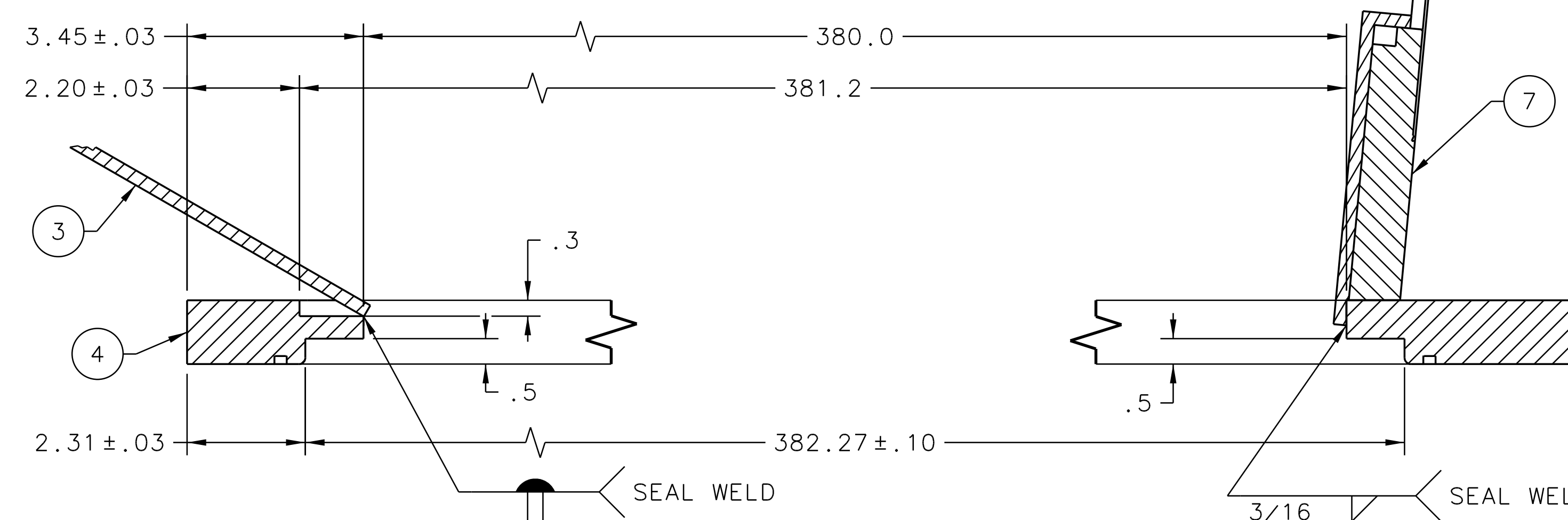


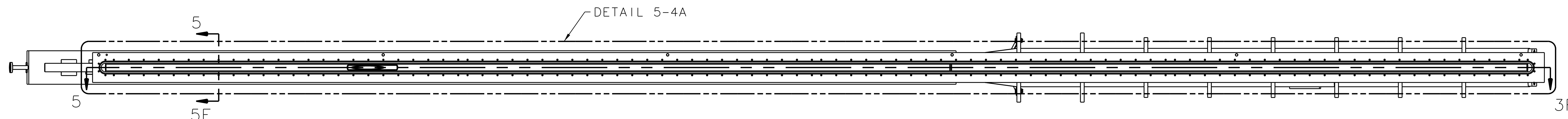
DETAIL 5-7G  
(5-6G)  
SCALE 2:1



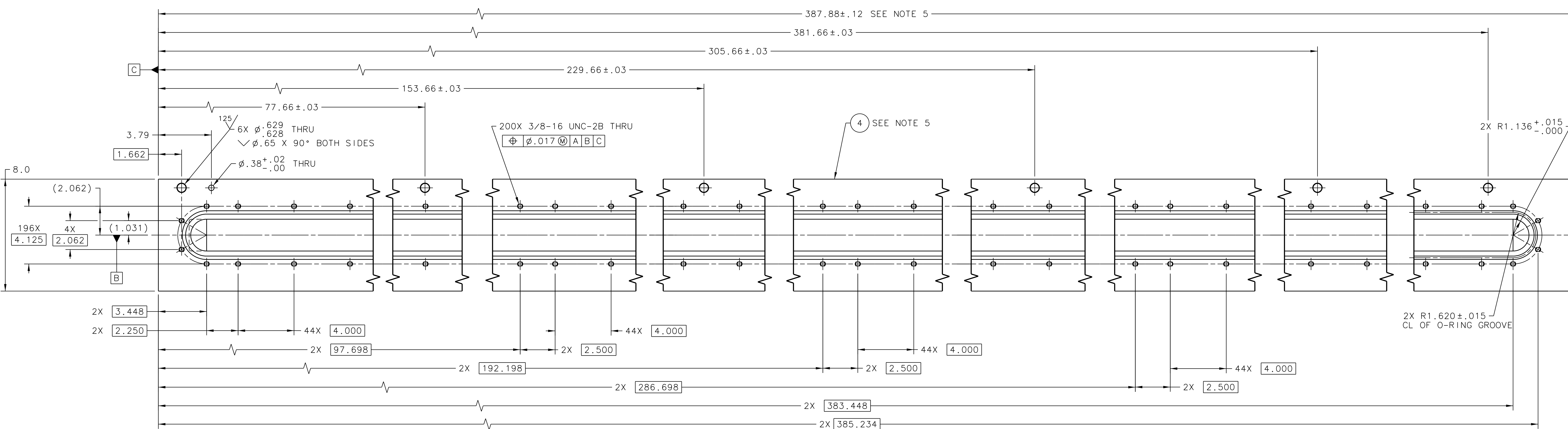
SECTION 5-5F  
(5-7E)  
SCALE 1:2



SECTION 5-3F  
(5-7E)  
SCALE 1:2



SECTION 5-4E  
(2-7F)  
SCALE 1:12



DETAIL 5-4A  
(5-5E)  
SCALE NONE