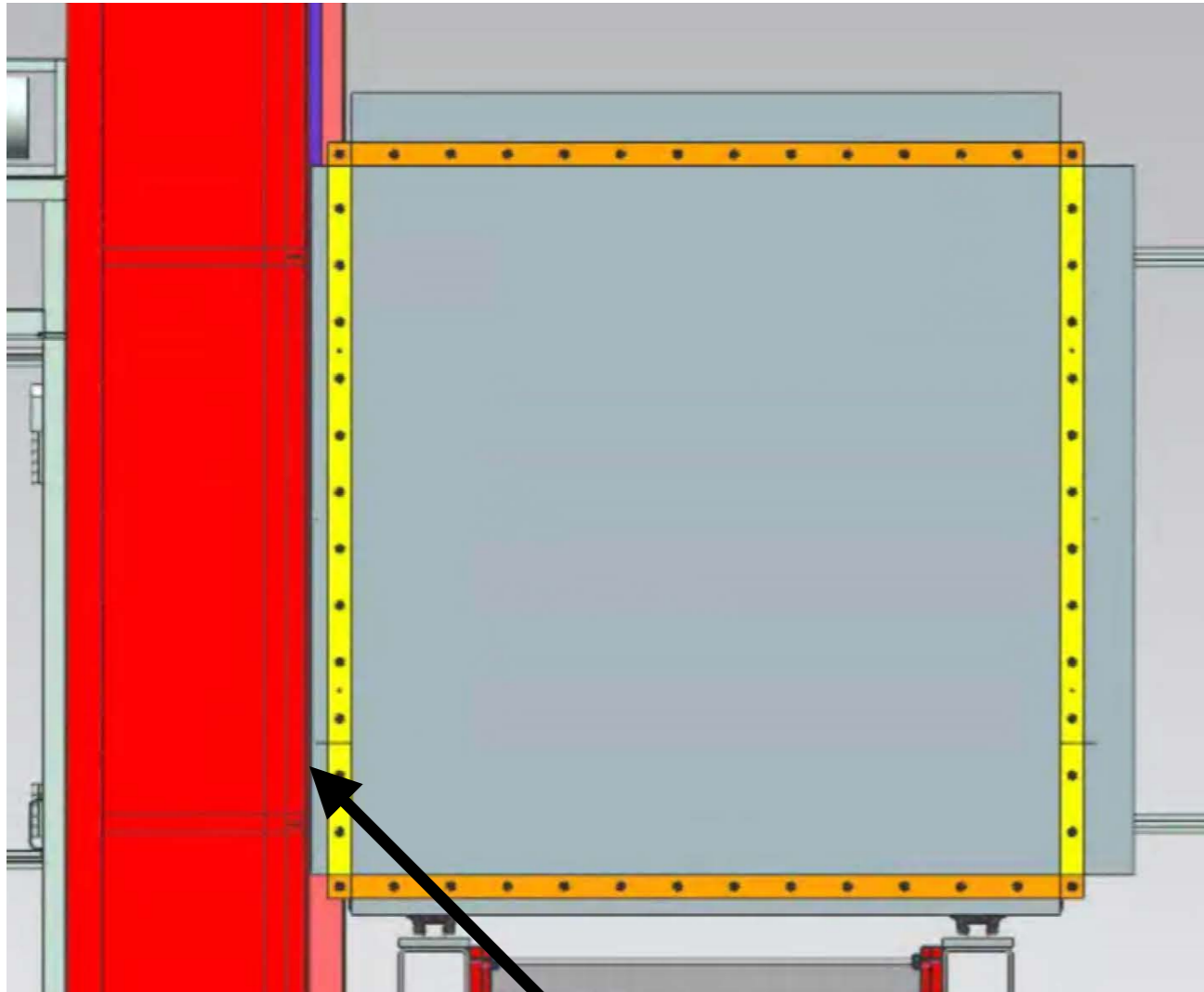


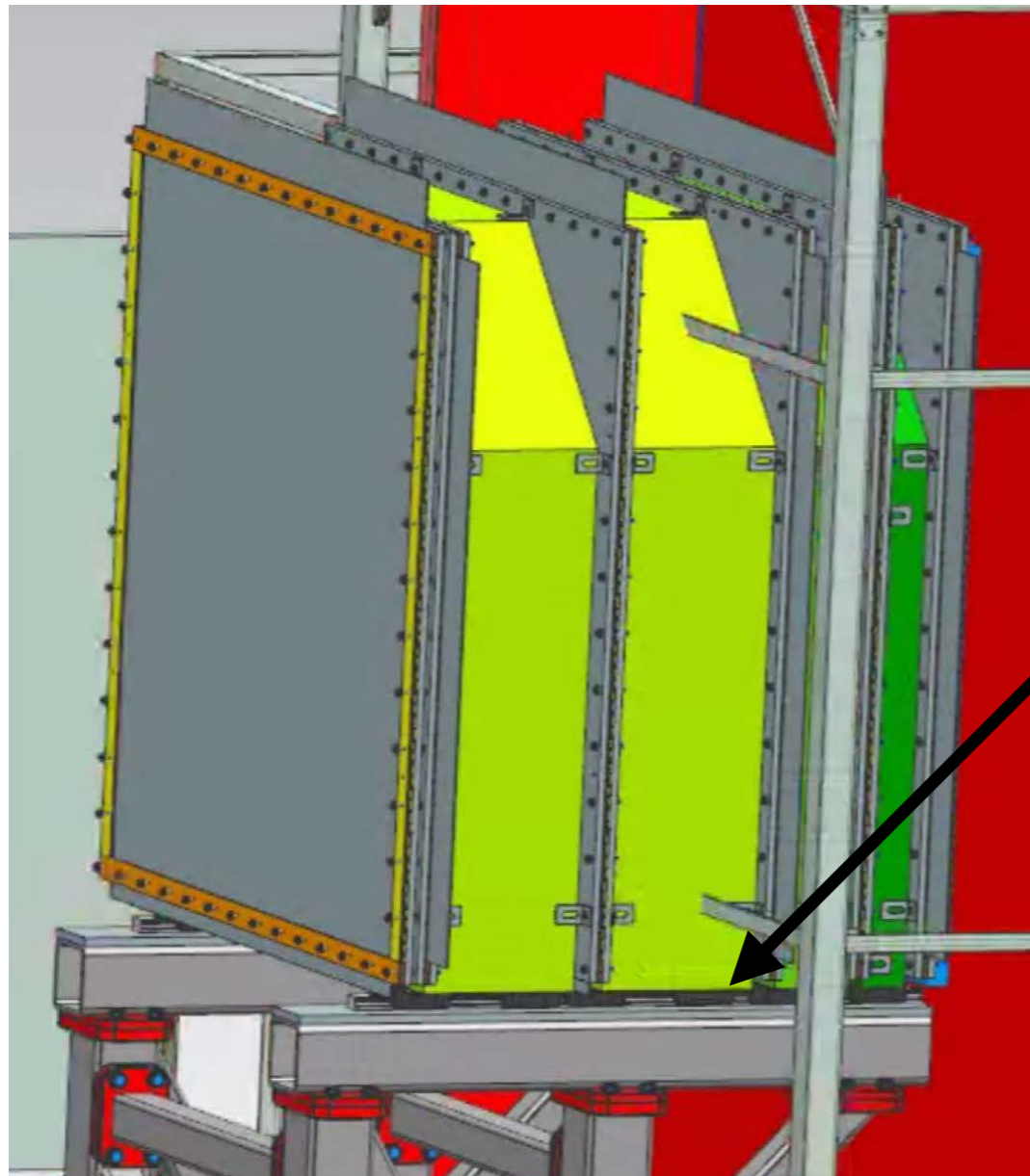
Comments and suggestions:

Clearance on beam-right side of the detector for gas lines.



Comments and suggestions:

We should check that when the preamp cards are in the horizontal orientation, there's clearance at the bottom of the detector for the gas lines.



Is there a problem here ?

