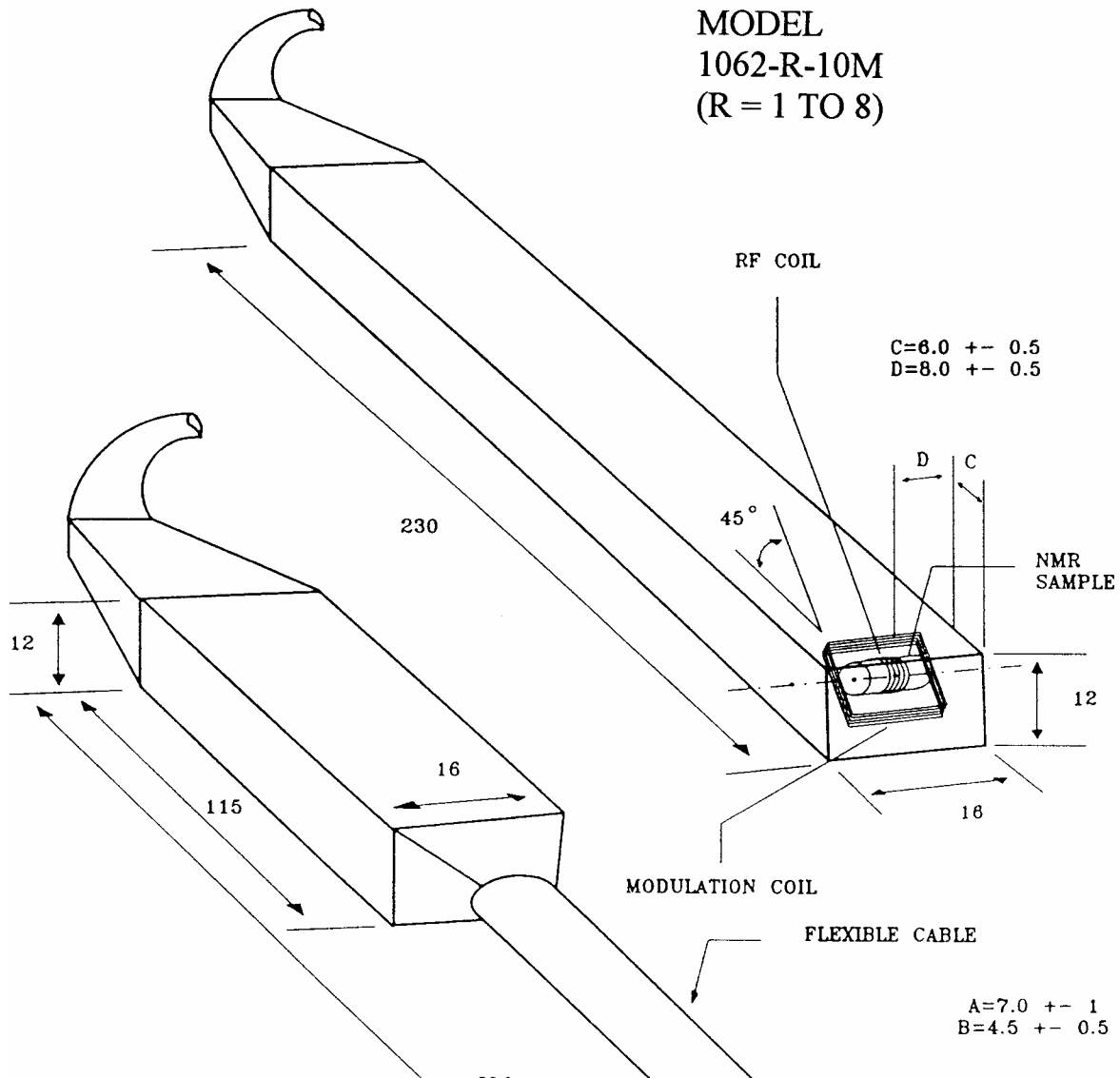
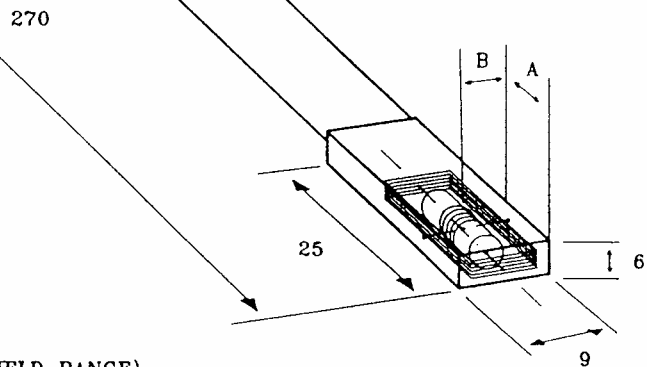


**MODEL
1062-R-10M
(R = 1 TO 8)**



**MODEL
1082-R-10M
(R = 3 TO 8)**



DIMENSIONS IN MM.
DRAWING NOT ON SCALE.

NMR SAMPLE DIMENSIONS (R=FIELD RANGE)
 DIAM=8 (R=1)
 DIAM=5 (R=2)
 DIAM=4 (R=3 TO 8)
 LENGTH=4.5 (R=1 TO 8)