

**Location Legend:**

T - Tagger Bldg.  
 A - Alcove  
 GS - Gas Shed

U - Upstream  
 D - Downstream  
 N - North  
 S - South

UN - Upstream North  
 US - Upstream South  
 DN - Downstream North  
 DS - Downstream South

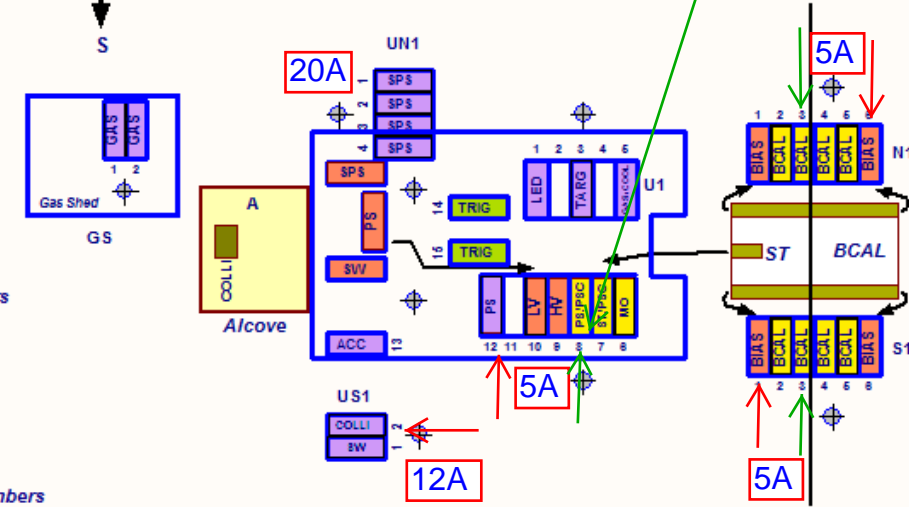
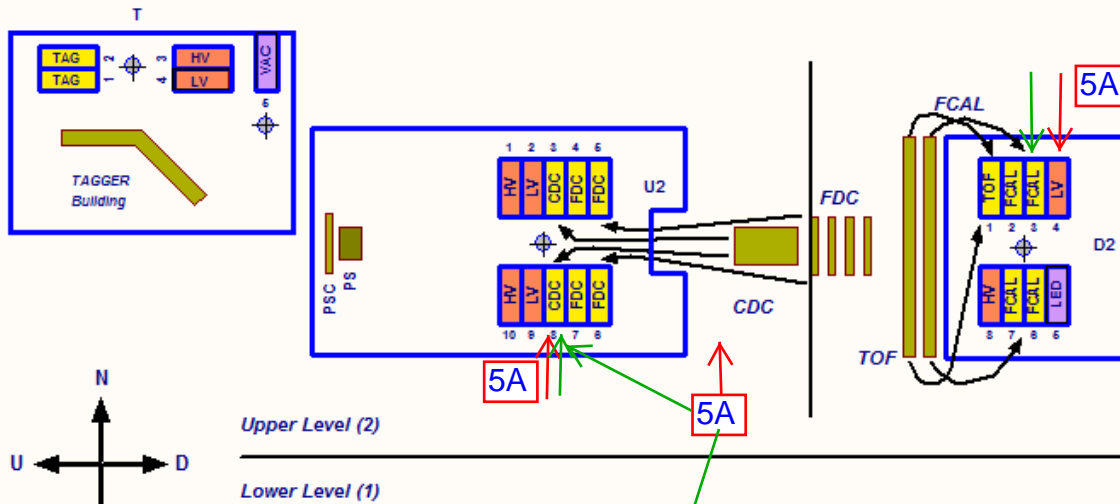
⊕ - Point-of-View (Front of Rack)

**Function Legend:**

- Readout
- Trigger
- Power
- Controls
- Cable Routing

**Hardware Legend:**

- TAGH - Tagger Hodoscope
- TAGM - Tagger Microscope
- PS - Pair Spectrometer
- PSC - Pair Spectrometer Counters
- ST - Start Counter
- CDC - Central Drift Chamber
- FDC - Forward Drift Chamber
- TOF - Time-of-Flight
- BCAL - Barrel Calorimeter
- FCAL - Forward Calorimeter
- TRIG - Trigger
- TARG - Target
- GAS - Gas Systems for Drift Chambers
- COOL - CDC, FDC & BCAL Electronics Cooling Systems
- SPS - Solenoid Power Supply & Controls
- SW - Sweep Magnet Power Supply & Controls
- COLLI - Collimator Controls
- LED - BCAL & FCAL LED Pulsers
- BP - Beam Profiler
- MO - Master Oscillator



Circuit requirements:  
 4x 20Amps circuits  
 2x20A North  
 2x20A South

Battery requirement for Hall D:  
 3KW for 20 min

→ Controls equipment location  
 → Switch location

|                              |                                |
|------------------------------|--------------------------------|
| <p><b>Jefferson Lab</b></p>  |                                |
| <p>Author: [Name]</p>        | <p>Date: [Date]</p>            |
| <p>Version: [Version]</p>    | <p>Project: [Project Name]</p> |
| <p>Approved: [Signature]</p> | <p>Reviewed: [Signature]</p>   |
| <p>Checked: [Signature]</p>  | <p>Released: [Signature]</p>   |