

Hall-D Inventory DB

Serguei Pozdniakov
Hall-D Controls Meeting
August 8, 2013

Outline

- Hall-D electronics
- Fernando's spreadsheet -> Hall-D Inventory DB
- Inventory DB
- Barcode labels, Property Tag, script
- Web Interface: GUI for Inventory DB
- Hall-D Racks layout
- Still to do ...

Hall-D electronics from Fernando's spreadsheet

- 529 - Boards/Cards/Modules (expected 1006, 3 doubled)
- 56 - crates/chassis (expected 72, 16 - still no SN)
- 35 - Racks
- 6 - Levels/Areas
- 4 - Buildings

from new spreadsheet :

- 591 - Boards/Cards/Modules (expected 1020, 4 doubled)
- 68 - crates/chassis (expected 78, 10 - still no SN)
- 39 - Racks
- 6 - Levels/Areas
- 4 – Buildings

Done from last “Still to do...”

- More than 800 Barcode labels now installed (was 400) :
 - “csv2db.pl tt_NEW_from_F_xlsx_13_07_29.csv” - gave 824 DB items :
 - 599 = with real ITM_PropertyTag LIKE DI000xxx
 - 225 = with my ITM_PropertyTag LIKE ItemType_SN
 - quantity consistency for 824 DB items :
 - 49 = Buildings, Levels, Racks
 - 591 = Modules
 - 7 = MpodC modules, in sl.00
 - 21 = MPOD chassis,PSs,Fans (7 cr.)
 - 24 = SY1527 chassis,PSs (6 cr.) 55+6+7 = 68
 - 55 = VXS and VME64x crates (55 cr.)
 - 39 = VXS and VME64x Fans
 - 38 = VXS and VME64x PSs
- All electronics from last updated spreadsheet are inserted in DB
- Fernando’s SN-spec implemented in “csv2db.pl”, all JLAB modules in DB have these SN :
 - a) fADC250 - ACDI-xxx
 - b) fADC125 - MTEQ-xxx
 - c) Discriminator - TRIS-xxx, ACDI-xxx
 - d) F1TDCs - CQV2-xx, CQV3-xx
- Script which inserts Power Supplies and Fan Trays for existing crates and HV chassis – done and working fine
- “Brand-Format-Model” – now is the main rule to build DB Hierarchy (some features already implemented)
- “editSelected.php” – revised and working fine
- Tagger Hall added into Hall-D Racks layout web page

Fernando's spreadsheet -> Hall-D Inventory DB

```
./xlsx2csv.py -s 0 Crate_&_Chassis_Channel_Assignments-R0.xlsx > SP_tt.csv
```

```
./csv2db.pl SP_tt.csv
```

```
----- 1 - T1-1-TOP
```

```
Crate,T1-1-TOP,,,,,,,,,,,,,  
S/N,1188039,,,,,,,,,,,,,  
,,,,,,,,,,,,,,,,,,,,,  
Sub-System,TAGM,,,,,,,,,,,,,  
Function,fADC250,1V,,,,,,,,,,,,,  
Slot,1,2,3,4,5,6,7,8,9,10,11,12,13,14,15,16,17  
Module,CPU,,fADC250,fADC250,fADC250,fADC250,fADC250,fADC250,  
S/N,,,ACDI075,ACDI005,ACDI066,ACDI006,ACDI048,  
Channel,,,,,,,,,,,,,,,,,,,,
```

```
0,,,TAGM-A-1,TAGM-A-17,TAGM-A-33,TAGM-A-49,TAGM-A-65  
1,,,TAGM-A-2,TAGM-A-18,TAGM-A-34,TAGM-A-50,TAGM-A-66  
2,,,TAGM-A-3,TAGM-A-19,TAGM-A-35,TAGM-A-51,TAGM-A-67  
3,,,TAGM-A-4,TAGM-A-20,TAGM-A-36,TAGM-A-52,TAGM-A-68  
4,,,TAGM-A-5,TAGM-A-21,TAGM-A-37,TAGM-A-53,TAGM-A-69  
5,,,TAGM-A-6,TAGM-A-22,TAGM-A-38,TAGM-A-54,TAGM-A-70  
6,,,TAGM-A-7,TAGM-A-23,TAGM-A-39,TAGM-A-55,TAGM-A-71  
7,,,TAGM-A-8,TAGM-A-24,TAGM-A-40,TAGM-A-56,TAGM-A-72  
8,,,TAGM-A-9,TAGM-A-25,TAGM-A-41,TAGM-A-57,TAGM-A-73  
9,,,TAGM-A-10,TAGM-A-26,TAGM-A-42,TAGM-A-58,TAGM-A-74  
10,,,TAGM-A-11,TAGM-A-27,TAGM-A-43,TAGM-A-59,TAGM-A-75  
11,,,TAGM-A-12,TAGM-A-28,TAGM-A-44,TAGM-A-60,TAGM-A-76  
12,,,TAGM-A-13,TAGM-A-29,TAGM-A-45,TAGM-A-61,TAGM-A-77  
13,,,TAGM-A-14,TAGM-A-30,TAGM-A-46,TAGM-A-62,TAGM-A-78  
14,,,TAGM-A-15,TAGM-A-31,TAGM-A-47,TAGM-A-63,TAGM-A-79  
15,,,TAGM-A-16,TAGM-A-32,TAGM-A-48,TAGM-A-64,TAGM-A-80
```

```
Cable Manager,VCM-T1-1-F-A,,,,,,,,,,,,,VCM-T1-1-F-B  
TAB COLOR CODE,,,,,  
fADC250,fADC125,F1TDC,DISC,HV,LV/BIAS
```

```
----- 2 - T1-1-BOT
```

```
Crate,T1-1-BOT,,,,,,,,,,,,,  
S/N,1188021,,,,,,,,,,,,,  
,,,,,,,,,,,,,,,,,,,,,  
Sub-System,TAGH,,,,,,,,,,,,,  
Function,fADC250,0.5V,,,,,,,,,,,,,  
Slot,1,2,3,4,5,6,7,8,9,10,11,12,13,14,15,16,17
```

```
#
```

```
### "N1-4-MID" ###
```

```
#
```

```
DI000001 VXS 1188037 :: VXS crate 21 sl. WIENER UEV 6  
DI000002 VXSfan 1088004 :: VXS Fan Tray WIENER UEL60  
DI000003 VXSps 1088034 :: VXS Power Supply WIENER UEP60
```

```
#
```

```
DI000004 fADC250 ACDI035 :: sl.03  
DI000005 fADC250 ACDI303 :: sl.04  
DI000006 fADC250 ACDI144 :: sl.05  
DI000007 fADC250 ACDI293 :: sl.06  
DI000008 fADC250 ACDI026 :: sl.07  
DI000009 fADC250 ACDI305 :: sl.08  
DI000010 fADC250 ACDI294 :: sl.09  
DI000011 fADC250 ACDI015 :: sl.10  
DI000012 SD 86 :: sl.12 SD-PRODN-SPR2012-086  
DI000013 fADC250 ACDI342 :: sl.13  
DI000014 fADC250 ACDI229 :: sl.14  
DI000015 fADC250 ACDI025 :: sl.15  
DI000016 fADC250 ACDI084 :: sl.16  
DI000017 TI 249 :: sl.21 CEM-TI-249
```

```
#
```

```
#
```

```
### "S1-4-TOP" ###
```

```
#
```

```
DI000018 VXS 1188028 :: VXS crate 21 sl. WIENER UEV 6  
DI000019 VXSfan 1088015 :: VXS Fan Tray WIENER UEL60  
DI000020 VXSps 1088037 :: VXS Power Supply WIENER UEP60
```

```
#
```

```
DI000021 fADC250 ACDI020 :: sl.03  
DI000022 fADC250 ACDI071 :: sl.04  
DI000023 fADC250 ACDI064 :: sl.05
```

Inventory DB

/u/group/halld/www/halldweb1/html/JInventory

/u/group/halld/www/halldweb1/html/SP_JInventory

- remove Quantity and Old_Locs from php & tpl
- remove FormFactor from php & tpl
- remove Daughters from php & tpl
- remove IFR/IFP from php & tpl
- remove interfaces.php and interfaces.tpl
- Hierarchy Location scrolled-up menu – implemented
- "editSelected.php" – revised and working fine
- In "editItem.php" – implemented new consistency checks :
 - preventing to be a Parent for itself
 - preventing to be a child of Item with the same BFM type
 - compare Parent and Child sizes

https://halldweb1.jlab.org/SP_JInventory/htdocs/list.php#

Google

D Component... D Component... D Component... D Component... HallD electron... https://userw... https://clonw... B Component ... http://claswe...



SP_JInventory database in use by CUE user 'sergpozd' with 'read/write/delete' access

[New Item](#) [List Items](#) [People](#) [Companies](#) [Brands](#) [Advanced Search...](#)

[Paginate](#)

[One Page](#)



Items

Item ID:
 Housing Parent | Ancestor:
 Property Tag/ID:
 Short name and description:
 Brand-Format-Model:

Total Items meet Search Criteria = 630

[New item](#) [Delete selected](#) [Toggle All](#) [Show selected](#) [Edit selected](#)

Check	Property Tag/ID (Serial number)	ID	Short name	Description	Housing	Custodian	Insert Date	Action
<input type="checkbox"/>	DI000034 (241)	3465	TI		Hall D (1) S1 (3055) S1-4 (3111) VXS crate 21 sl. "TOP" (3452) * Slot 21	Fernando Barbosa	2013-07-12 12:44:43	
<input type="checkbox"/>	DI000033 (ACDI061)	3464	fADC250	JLAB Flash ADC 250 Msps 16 ch.	Hall D (1) S1 (3055) S1-4 (3111) VXS crate 21 sl. "TOP" (3452) * Slot 16	Fernando Barbosa	2013-07-12 12:44:43	
<input type="checkbox"/>	DI000032 (ACDI101)	3463	fADC250	JLAB Flash ADC 250 Msps 16 ch.	Hall D (1) S1 (3055) S1-4 (3111) VXS crate 21 sl. "TOP" (3452) * Slot 15	Fernando Barbosa	2013-07-12 12:44:43	
<input type="checkbox"/>	DI000031 (ACDI013)	3462	fADC250	JLAB Flash ADC 250 Msps 16 ch.	Hall D (1) S1 (3055) S1-4 (3111) VXS crate 21 sl. "TOP" (3452) * Slot 14	Fernando Barbosa	2013-07-12 12:44:43	
<input type="checkbox"/>	DI000030 (ACDI056)	3461	fADC250	JLAB Flash ADC 250 Msps 16 ch.	Hall D (1) S1 (3055) S1-4 (3111) VXS crate 21 sl. "TOP" (3452) * Slot 13	Fernando Barbosa	2013-07-12 12:44:43	
<input type="checkbox"/>	DI000028 (ACDI057)	3460	fADC250	JLAB Flash ADC 250 Msps 16 ch.	Hall D (1) S1 (3055) S1-4 (3111) VXS crate 21 sl. "TOP" (3452) * Slot 10	Fernando Barbosa	2013-07-12 12:44:43	
<input type="checkbox"/>	DI000027 (ACDI044)	3459	fADC250	JLAB Flash ADC 250 Msps 16 ch.	Hall D (1) S1 (3055) S1-4 (3111) VXS crate 21 sl. "TOP" (3452)	Fernando Barbosa	2013-07-12 12:44:43	

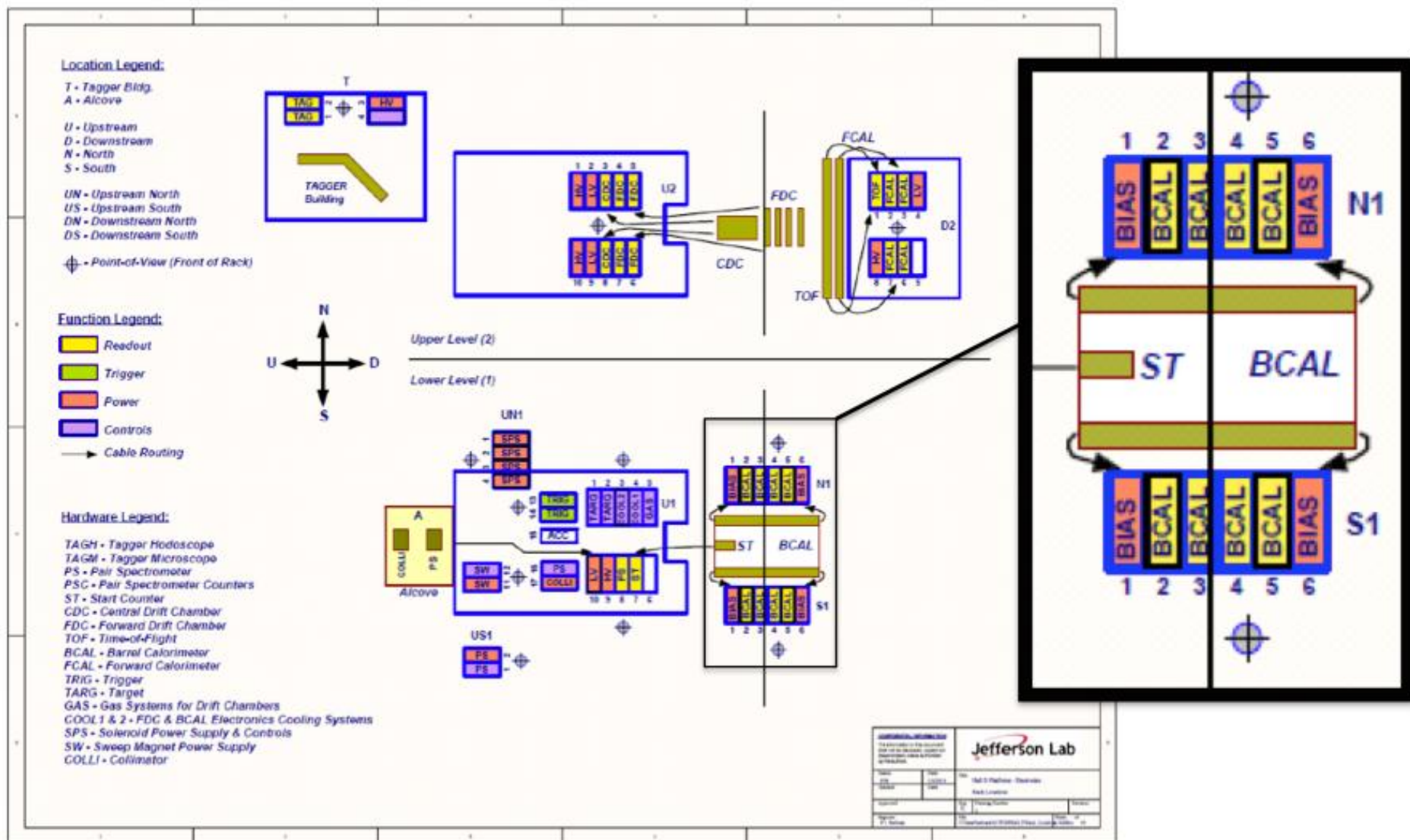

SP_JInventory database in use by CUE user 'sergpozd' with 'read/write/delete' access
[New Item](#)
[List Items](#)
[People](#)
[Companies](#)
[Brands](#)
[Advanced Search...](#)
[Paginate](#)
[One Page](#)
Edit Item (step 1/2)

Fields marked with * are required.

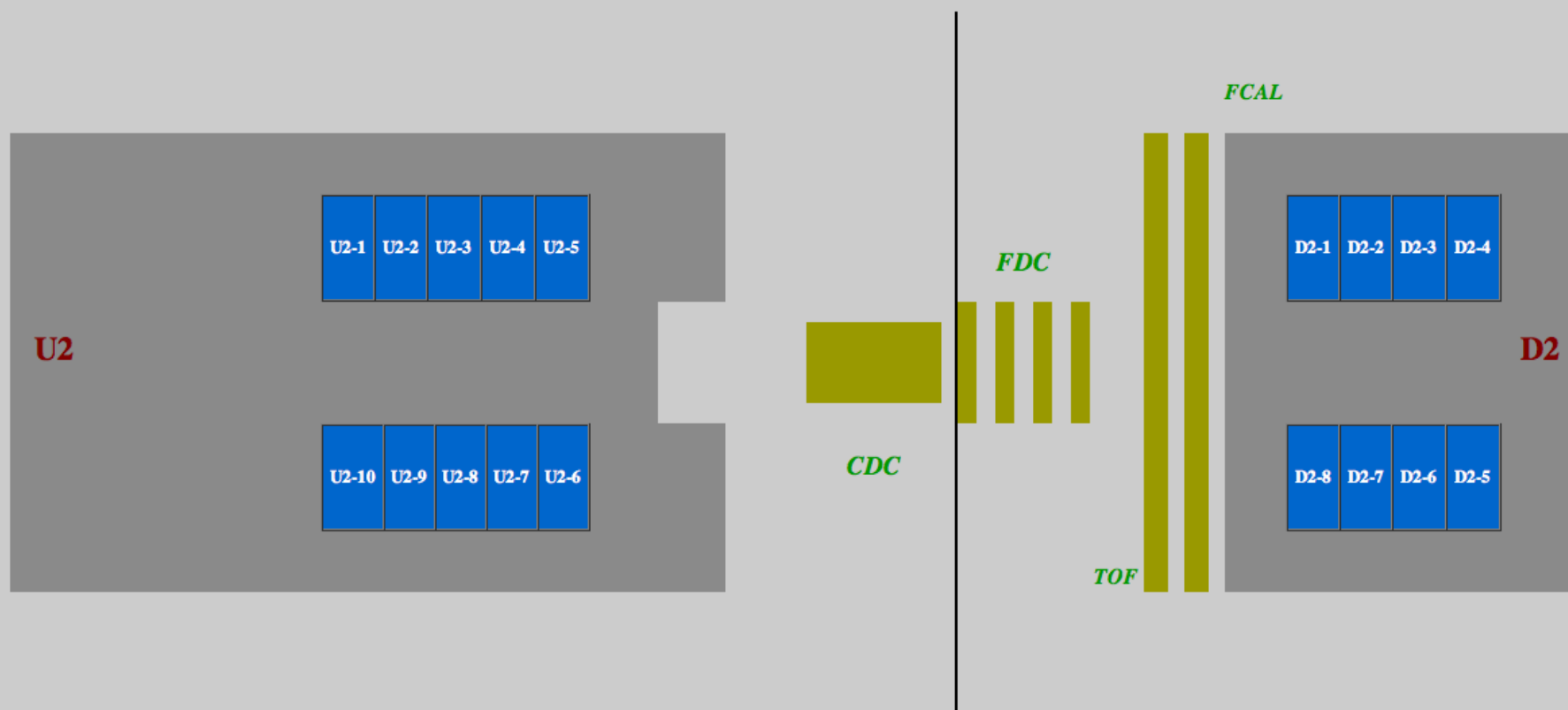
[< Back](#)
[Save As New](#)
[Save](#)
General information

* Property Tag/ID	<input type="text" value="DI000033"/>
Short name	<input type="text" value="FADC250"/>
Description	<input type="text" value="JLAB Flash ADC 250 Msps 16 ch."/>
* Brand-Format-Model Select or enter brand-format-model	<input type="text" value="JLAB - VXS Module - FADC250"/> or Enter new brand-format-model:
Part num. - Serial num.	<input type="text"/> - <input type="text" value="ACDI061"/>
* Location Select or enter a new location	1 <input type="text" value="Hall D"/> 2 <input type="text" value="S1"/> 3 <input type="text" value="S1-4"/> 4 <input type="text" value="VXS crate 21 sl. 'TOP'"/> 5 <input type="text" value="n/a"/>
GeomLoc	<input type="text" value="Slot 16"/>
Purchase date - Location - Price	<input type="text"/> - <input type="text"/> - <input type="text"/>
Purchase Requisition	<input type="text"/>
Function	<input type="text"/>
MAC_Address	<input type="text"/>
IPName	<input type="text"/>
Telecom	<input type="text"/>
Documentation	<input type="text"/>

Hall-D is separated into named areas, each with a number of racks

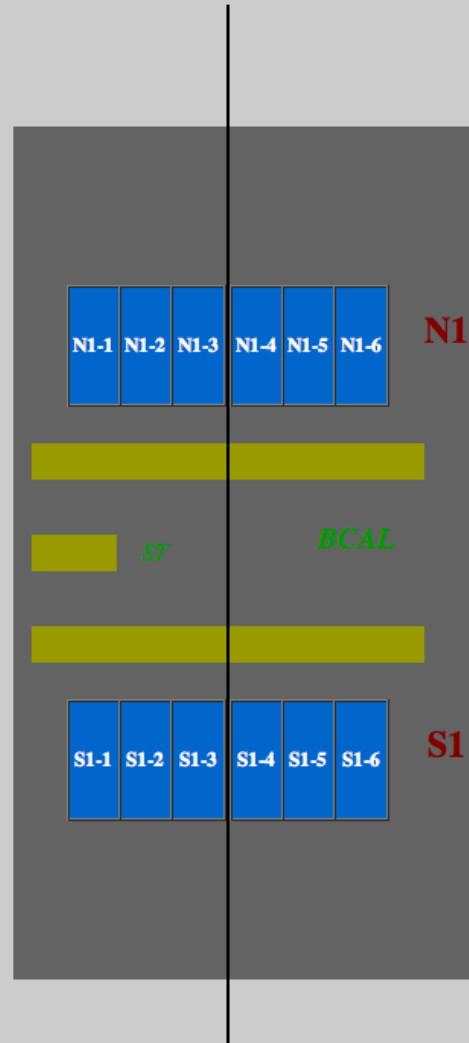
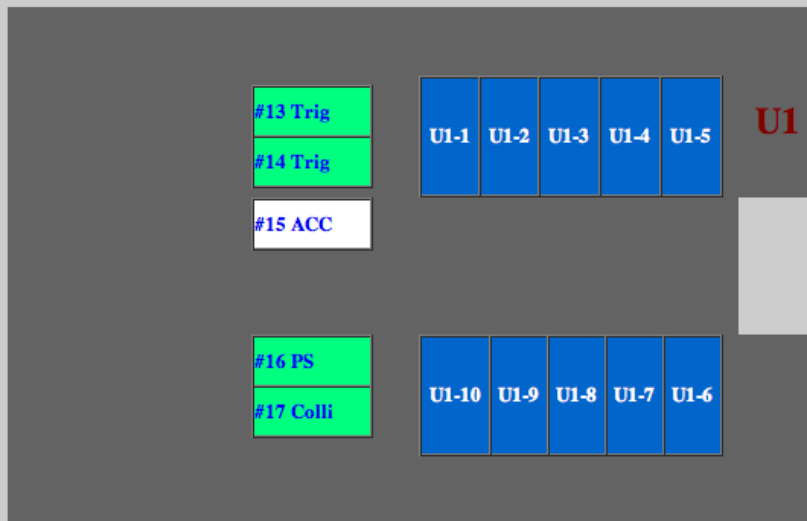


Hall-D electronics, Racks layout



Upper Level

Lower Level



Still to do . . .

- Continue of Barcode labels installation (800 are already installed)
- Modify update procedure in script "csv2db.pl", to maintain future updates in Fernando spreadsheets
- Improve save/update procedure to use "Brand-Format-Model" as a main rule to build DB Hierarchy (some already done)
- Move item documentation link to BFM Table
- Make a script to activate cron job for daily Rack Layout update
- Cleanup and simplify existing 147 items in "JInventory" mostly inserted by David Butler and Hovanes Egiyan
- Final checks and preparations to merge "SP_JInventory" and Hall-D "JInventory"