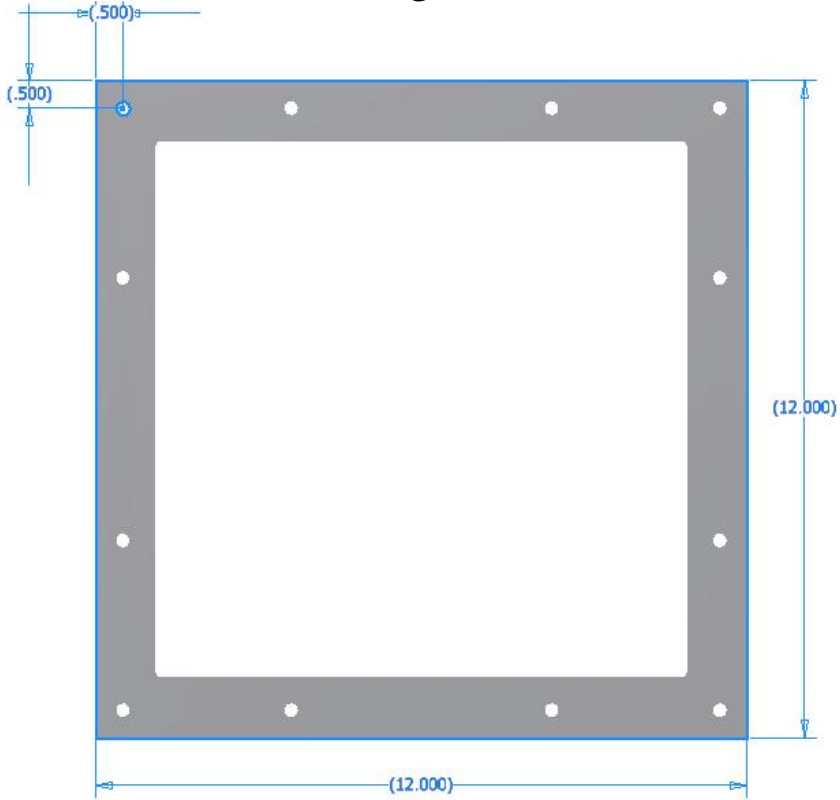


MWPC Prototyping Update

- Aluminum plates: to be shipped this week from vendor
- Plastic parts: waiting on quotes for best offer

Minor modification made to the spacer and base design

Original



Modified

